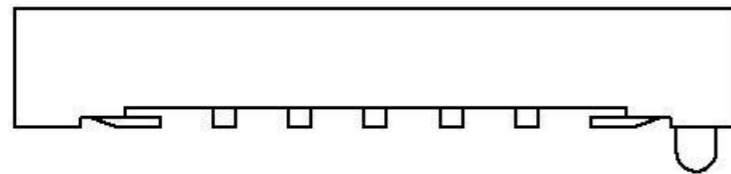
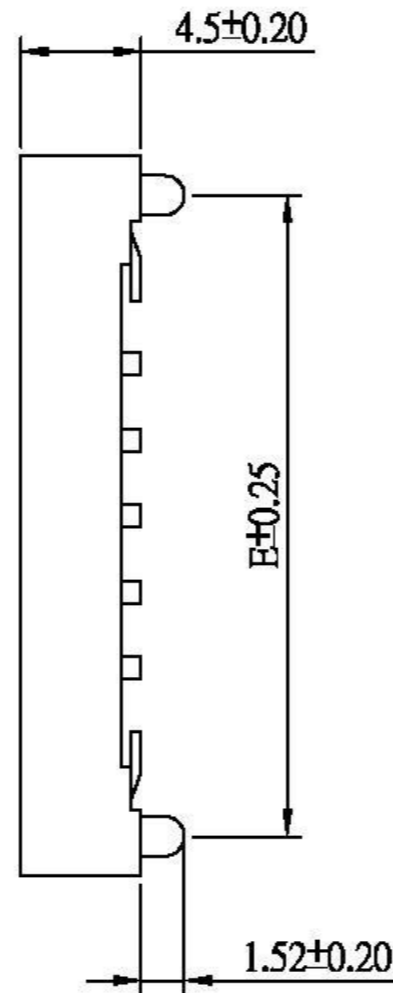
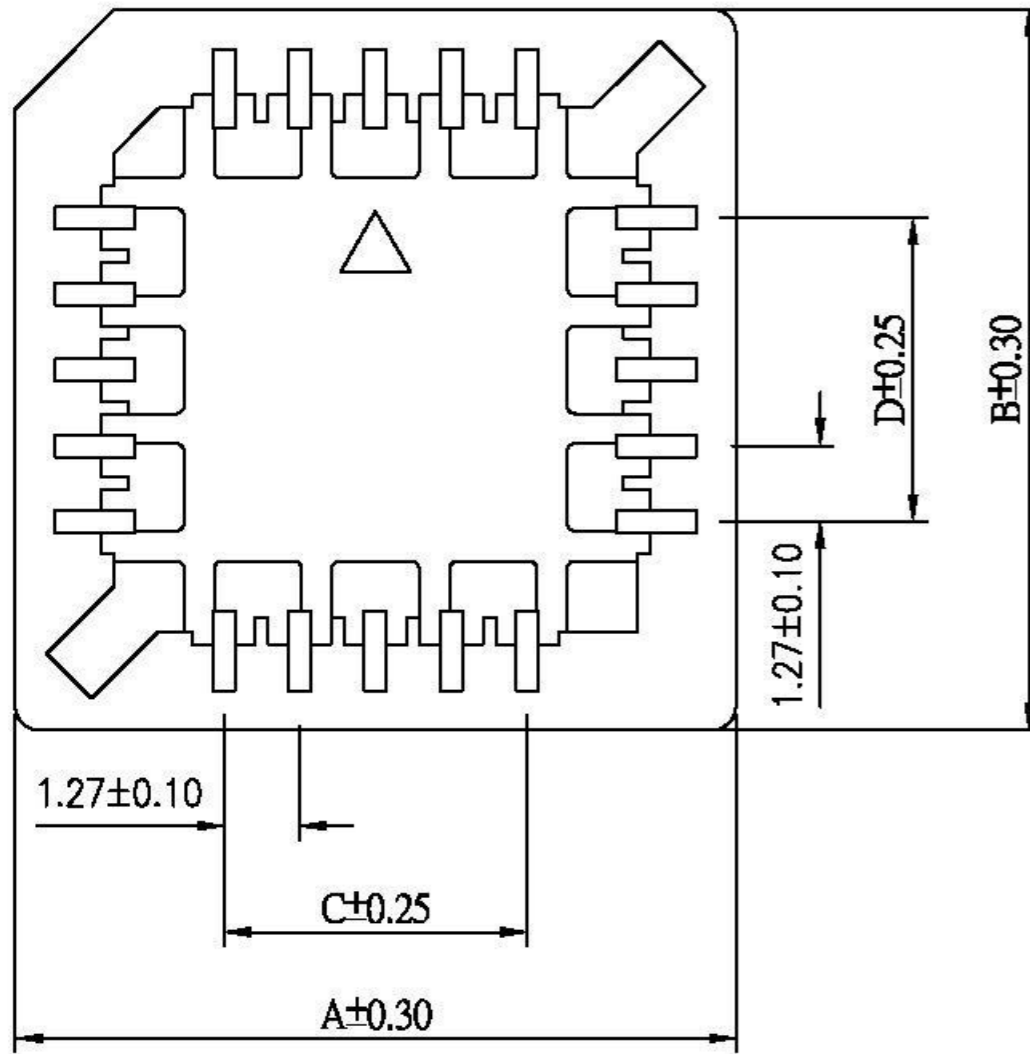
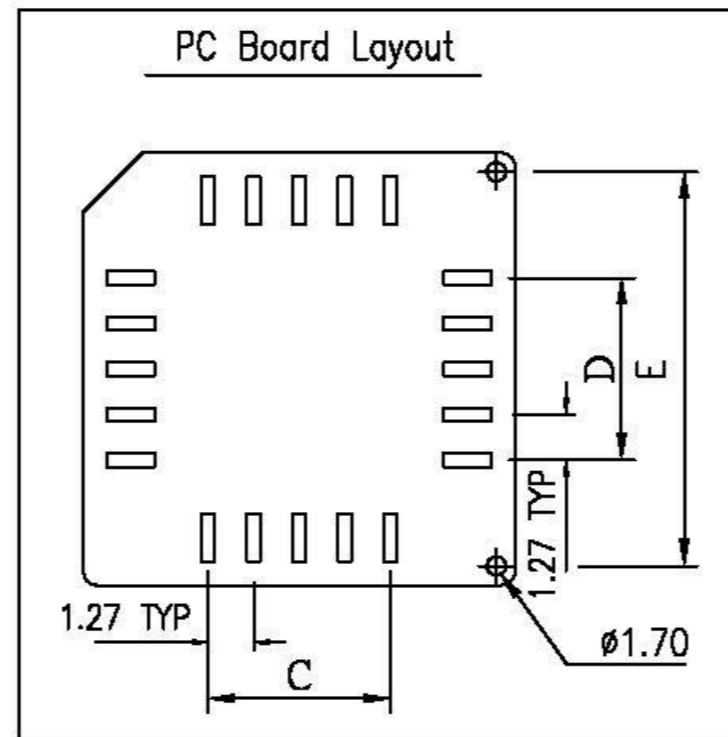


CUSTOMER COPY

REV	ECN NO.	APP.	DATE
A	NEW DESIGN		



PART NO	A	B	C	D	E
1032XXX20X	15.58	15.58	5.08	5.08	12.70
1032XXX28X	18.12	18.12	7.62	7.62	15.24
1032XXX32X	18.12	20.64	7.62	10.16	17.78
1032XXX44X	23.20	23.20	12.70	12.70	20.32
1032XXX52X	25.74	25.74	15.24	15.24	22.86
1032XXX68X	30.82	30.82	20.32	20.32	27.94
1032XXX84X	35.90	35.90	25.40	25.40	33.02



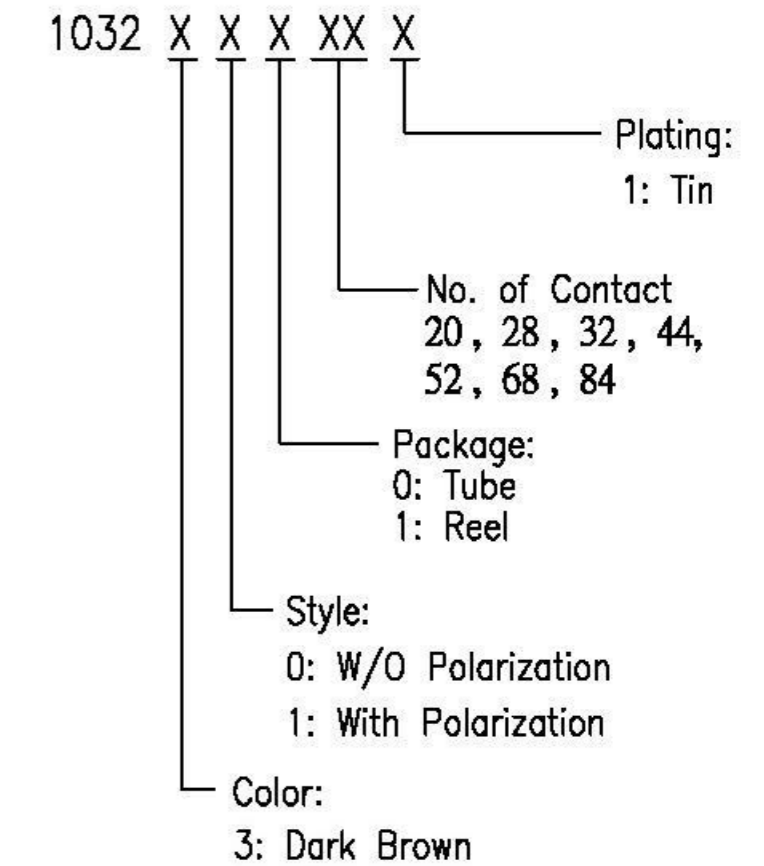
SPECIFICATION

- * Current Rating: 1 A
- * Withstanding Voltage: 600 VAC (1 min.)
- * Insulation Resistance: 1000 Megohms min.
- * Contact Resistance: 30 Milliohms max.
- * Operating Temperature: -55°C to +105°C

MATERIAL

- * Contact: Phosphor Bronze
- * Insulator: PPS & 40% G.F.
- * Plating: Tin or Selective Gold

ORDER INFORMATION



PENZEL COMERCIO EXTERIOR LTDA.

0.0±	SCALE:	TITLE:	PART NO:
0.00±	UNIT: mm	1.27MM (.05") Center SURFACE	APP BY: Hung
0.000±		Mount CHIP CARRIER SOCKET	CHK BY: Cheryl
		MATL: RoHS	DR BY: Amos
		DWG. NO. C1032XXXXXX	