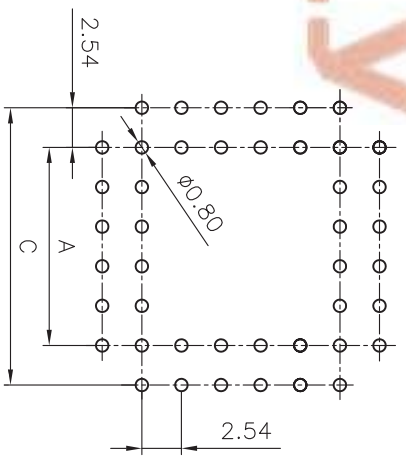
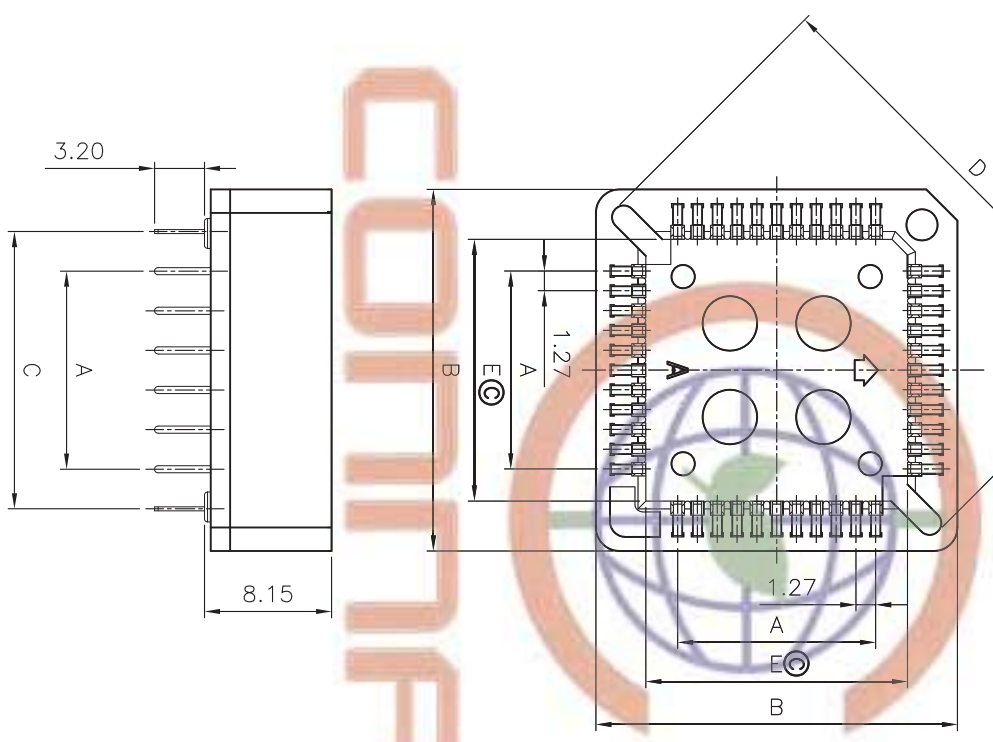


REV.	DESCRIPTION	DRAWN	CHECKED	APPROVED
A	NEW RELEASE	DMJ 07/18/07'	~	LJC 07/17/07'
B	Change The P/N.	YCH 08/04/07'	~	LJC 08/04/07'
C	Change The DIM E For 44p	YCH 11/25/09'	~	LJC 11/25/09'

Dimension

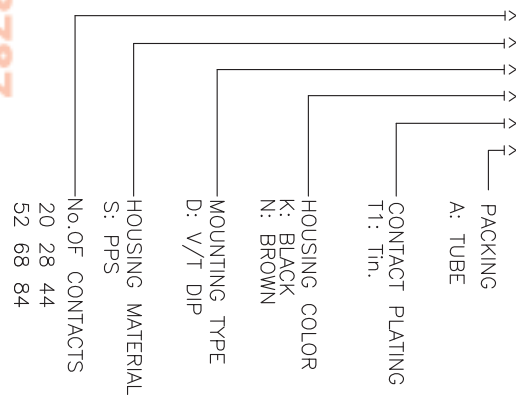
Position	A±0.2	B±0.4	C±0.2	D±0.2	E±0.2
20	5.08	15.56	10.16	18.46	9.16
28	7.62	18.10	12.70	22.05	11.70
44	12.70	23.18	17.78	29.24	17.18
52	15.24	25.72	20.32	32.83	19.32
68	20.32	30.80	25.40	40.02	24.40
84	25.40	35.88	30.48	47.20	29.48



RECOMMEND PCB(V/T TYPE) LAYOUT  
TOLERANCE=±0.05

- NOTES:
- MATERIAL
    - INSULATOR:THERMOPLASTIC(UL 94V-0).
    - CONTACT: COPPER ALLOY.
  - SPECIFICATION
    - TEMPERATURE:-40°C~+105°C.
    - CONTACT RESISTANCE:20mΩ max.
    - INSULATION RESISTANCE:1000MΩ min.
    - DIELECTRIC WITHSTANDING VOLTAGE:AC 500V PER MINUTE.

- PART NUMBER: DS1032
- PRODUCT NUMBER CODE: DS1032- X X X X X X X X

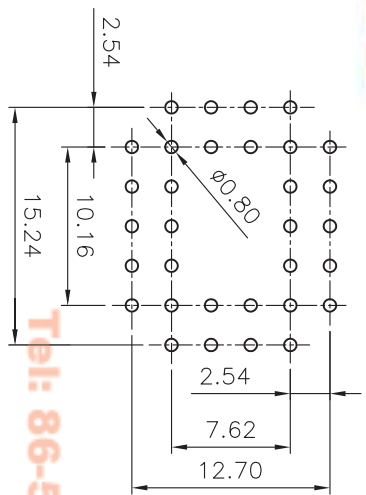
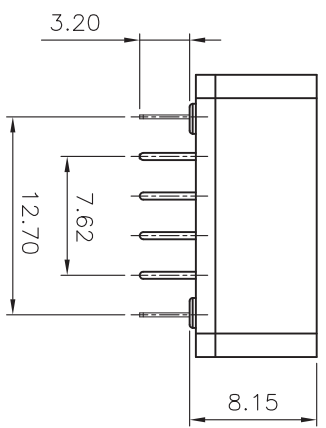
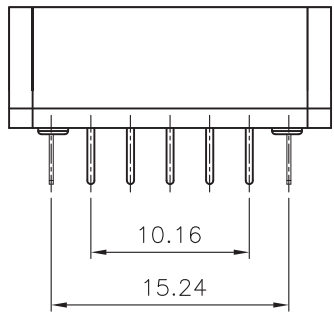
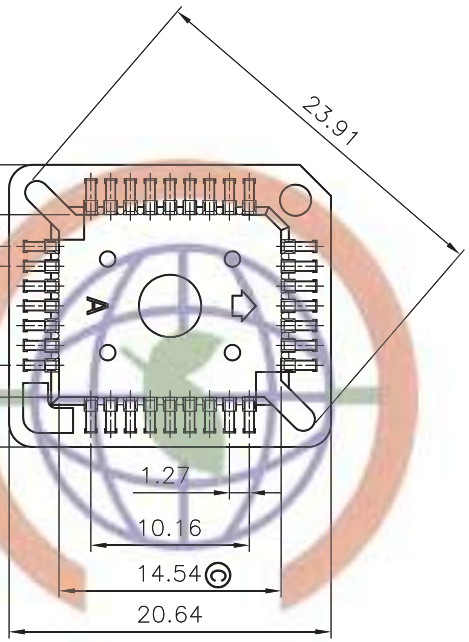


Tel: 86-574-63508787  
Fax: 86-574-63510817

GENERAL TOLERANCE		ANGLE TOLERANCE		PROJECTION	
X.	±0.60	X.	±5°	UNITS	mm
X	±0.38	X	±3°	SHEET SIZE	A4
.XX	±0.25	.XX	±2°	TITLE	PLCC 20/28/52/68/84pin DIP SOCKET
DRAWING TYPE	CUSTOMER	DRAWING NO.	C-DS1032-XXXXXX	SHEET	1 OF 1
SCALE	1:1	SHEET	1 OF 1	SERIES	DS1032 SERIES

晨翔电子有限公司  
CONNPLY CONNPLY ELECTRONIC CO., LTD

REV.	DESCRIPTION	DRAWN	CHECKED	APPROVED
A	NEW RELEASE	DMJ 07/18/07	~	LJC 07/17/07
B	更改料号代码	YCH 08/04/07	~	
C	Change The Dimension	YCH 11/25/09	~	LJC 11/25/09



RECOMMEND PCB(V/T TYPE) LAYOUT  
TOLERANCE=±0.05

Tel: 86-574-63508787  
86-574-63510817

E-mail: sale@zhengain.com.cn

- NOTES:
- MATERIAL
    - INSULATOR:THERMOPLASTIC(UL 94V-0).
    - CONTACT: COPPER ALLOY.
  - SPECIFICATION
    - TEMPERATURE: -40°C~+105°C.
    - CONTACT RESISTANCE:20mΩ max.
    - INSULATION RESISTANCE:1000MΩ min.
    - DIELECTRIC WITHSTANDING VOLTAGE:AC 500V PER MINUTE.

3. PART NUMBER: DS1032  
4. PRODUCT NUMBER CODE: DS1032- X X X X X X X X X X
- PACKING
  - A: TUBE
  - CONTACT PLATING
  - T1: Tin.
  - HOUSING COLOR
  - K: BLACK
  - N: BROWN
  - MOUNTING TYPE
  - D: V/T DIP
  - HOUSING MATERIAL
  - S: PPS
  - No.OF CONTACTS

GENERAL TOLERANCE	ANGLE TOLERANCE	PROJECTION	TITLE
X: ±0.60	X: ±5°	mm	PLCC 32pin DIP SOCKET
.X: ±0.38	.X: ±3°	A4	DS1032 SERIES
.XX: ±0.25	.XX: ±2°		

DRAWING TYPE	CUSTOMER	SHEET	OF
SCALE	1:1	1	1

DRAWING NO.	C-D	DS1032-32XXXXXX
<b>CONNFLY CONNFLY ELECTRONIC CO. LTD</b>		

FOR 32pin ONLY

CONNFLY

1 2 3 4 5 6 7 8