

A-A SEC

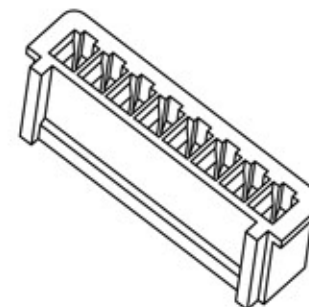
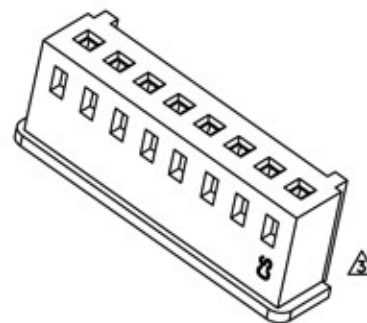
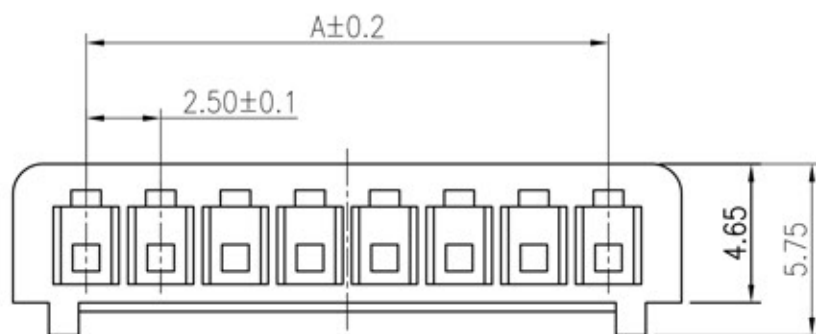
Mated Height(REF.)

■ SPECIFICATIONS

- Current Rating: 3A AC/DC
- Withstanding Voltage: 1,000V AC/minute
- Insulation Resistance: 1,000MΩ min.
- Temperature Range: - 25°C to + 85°C
- Contact Resistance: 20mΩ max.

■ HOUSING

- Part No. : JS-1128-XXX
- JS-1128-XX : GP Produces
- Poles : 2 - 15
- Material : Nylon 66 UL94V-2
- Q' ty: 1,000 pcs./Bag



Poles	Dimension(mm)	
	A	B
2	2.50	6.00
3	5.00	8.50
4	7.50	11.00
5	10.00	13.50
6	12.50	16.00
7	15.00	18.50
8	17.50	21.00
9	20.00	23.50
10	22.50	26.00
11	25.00	28.50
12	27.50	31.00
13	30.00	33.50
14	32.50	36.00
15	35.00	38.50



喬訊電子工業股份有限公司
CHYAO SHIUNN
ELECTRONIC INDUSTRIAL LTD.

APPROVED BY	SCALE	UNIT	TOLERANCE	LTR	REVISION RECORD	NAME	DATE	LTR	REVISION RECORD	NAME	DATE
張育瑞		mm	.0 ±0.30	▲		2005/05/15	余秀麗	▲			
CHECKED BY	PROJ	VER NO.	.00 ±0.20	▲		2009/08/19	王 森	▲			
周家慶	⊕	a3	.000 ±0.10	▲	追加組合圖	2011/11/11	胡丹桂	▲			
DRAWN BY	DATE	SIZE	ANGLE	▲					CUSTOMER		
胡丹桂	2011/11/11	A4	0° ±1°	▲					Conforms to The RoHS Instruction		
			0° ±	▲							
			SHEET 1/1	▲							

PART NO JS-1128-XX

2.50mm Crimp Style Connectors Housing