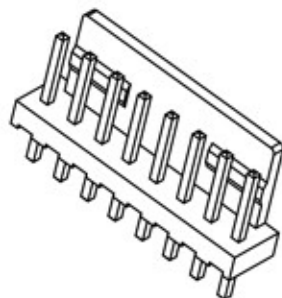
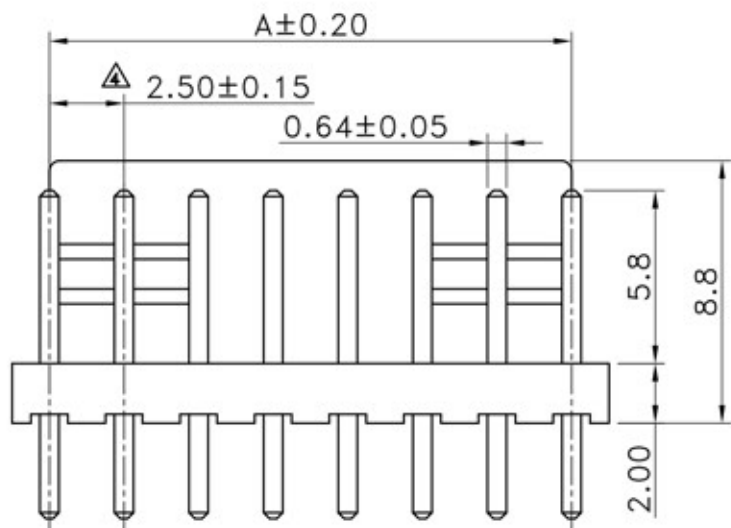
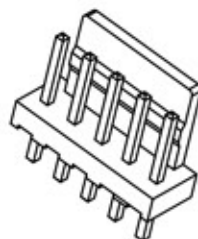


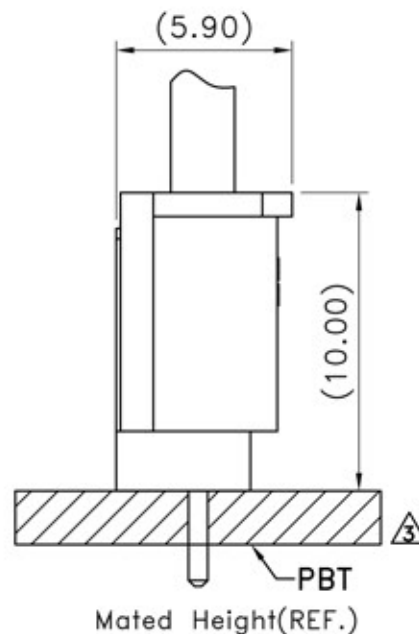
Recommended PCB Layout



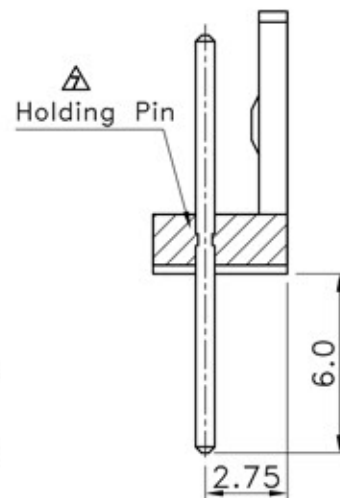
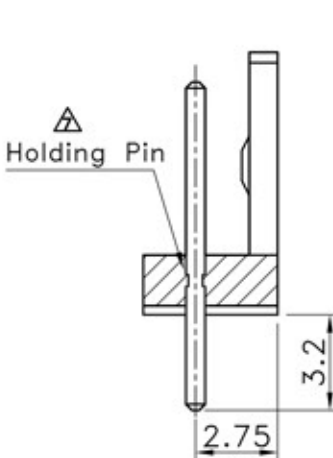
△ 6~15PPoles



△ 2~5PPoles



Mated Height(REF.)



△ JS-1129-XX(D1)

■ SPECIFICATIONS

- Current Rating: 3A AC/DC
- Withstanding Voltage: 1,000V AC/minute
- Insulation Resistance: 1,000MΩ min.
- Temperature Range: - 25°C to + 85°C
- Contact Resistance: 20mΩ max.

■ WAFER

- Part No. : JS-1129-XX(XX) X  
① ②

- ① Blank:Dip Length 3.2mm
- △ (D1):Dip Length 6.0mm
- △② Blank: 120u' min.Tin over 30u' min. Nickel
- (G):Gold flash over Nickel
- Poles : 2 - 15(Straight)
- Material : Contact : Brass
- Base : Nylon 66 UL94V-2
- Q' ty: 1,000 pcs./Bag

Poles	Dimension(mm)	
	A	B
2	2.50	5.00
3	5.00	7.50
4	7.50	10.00
5	10.00	12.50
6	12.50	15.00
7	15.00	17.50
8	17.50	20.00
9	20.00	22.50
10	22.50	25.00
11	25.00	27.50
12	27.50	30.00
13	30.00	32.50
14	32.50	35.00
15	35.00	37.50


 喬訊電子工業股份有限公司  
 CHYAO SHIUNN  
 ELECTRONIC INDUSTRIAL LTD.

PART NO JS-1129-XX(XX)X

2.50mm Crimp Style Connectors Wafer (Straight)

APPROVED BY	SCALE	UNIT	TOLERANCE	LTR	REVISION RECORD	NAME	DATE	LTR	REVISION RECORD	NAME	DATE
張育瑞		mm	.0 ±0.30	△	RoHS Compliant	黃科源	2006/04/01	△			
CHECKED BY	PROJ	VER NO.	.00 ±0.20	△	200809-006	黃科源	2008/09/05	△			
黃科源		a7	.000 ±0.10	△	追加組合圖	胡丹桂	2011/11/11	△			
DRAWN BY	DATE	SIZE	ANGLE	△	修改公差	羅紅兒	2012/02/16		CUSTOMER		
吳弘文	2012/10/29	A4	0° ±1°	△	增加(D1)DIP Length 6.0mm規格	羅紅兒	2012/04/12				
			.0° ±	△	增加卡幣PIN數區分及Gold flash料號	周家慶	2012/7/29		Conforms to The RoHS Instruction		
			SHEET 1/1	△	PIN針修改為打內沉結構	吳弘文	2013/10/29				