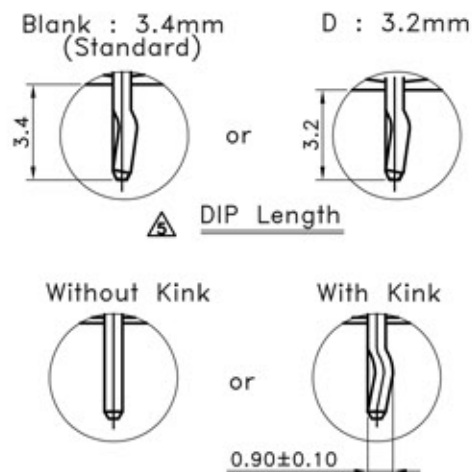
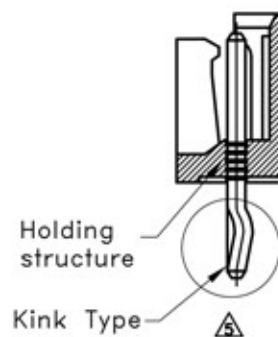
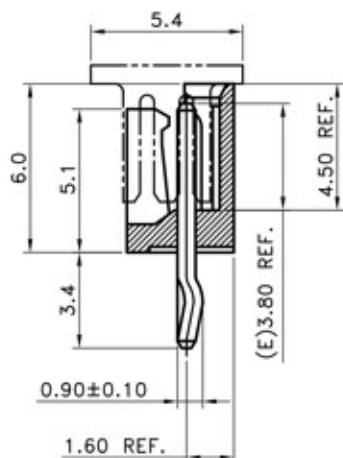
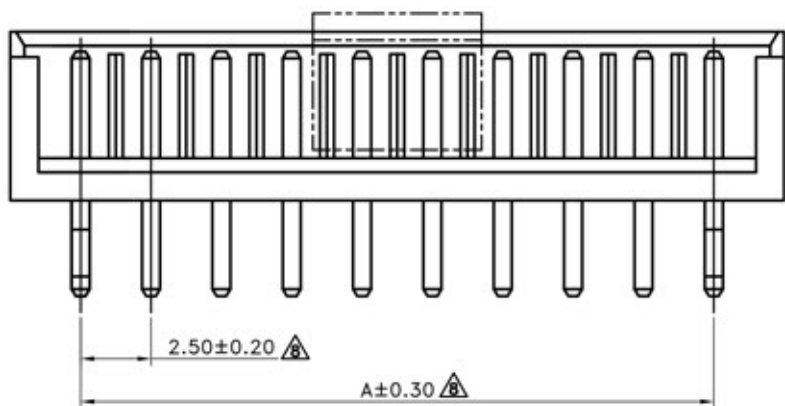
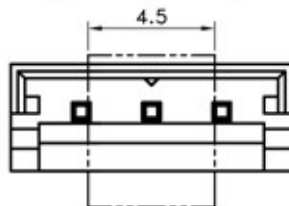
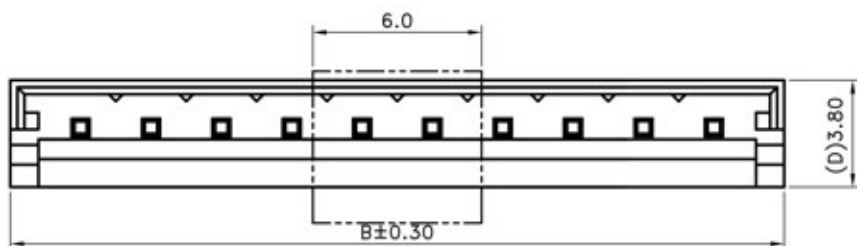


Recommended PCB Layout (Top View)



Structure Reference

Poles	Dimensions(mm)	
	A	B
2	2.50	7.50
3	5.00	10.00
4	7.50	12.50
5	10.00	15.00
6	12.50	17.50
7	15.00	20.00
8	17.50	22.50
9	20.00	25.00
10	22.50	27.50
11	25.00	30.00
12	27.50	32.50
13	30.00	35.00
14	32.50	37.50
15	35.00	40.00

■ SPECIFICATIONS

- Voltage Rating : 250V AC/DC
- Current Rating : 3A AC/DC
- Withstanding Voltage : 800V AC/minute
- Insulation Resistance : 1,000MΩ min
- Temperature Range : - 25°C to + 85°C
- Contact Resistance : 20mΩ max

■ WAFER

- Part No. : JS-1132-XX X (XX X X) XX X XX
① ② ③ ④ ⑤ ⑥ ⑦ ⑧

Code No.

- ① Poles
2~15 (Straight)
- ② Structure
Blank : Normal Type(Standard)
S : Holding Structure
- ③ Plated
Blank : Bright-Tin Plated(Standard)
G : Gold Plated
NM : Matte-Tin Plated
- ④ Kink Type
Blank : With Kink(Standard)
NK : Without Kink
- ⑤ DIP Length
Blank : 3.4mm(Standard)
D : 3.2mm
- ⑥ Color
Blank : Nature(Standard)
R : Red
Y : Yellow
BK : Black
BU : Blue
- ⑦ Cap
Blank : Without Cap
C : With Cap
- ⑧ Packing : Blank : Bag
/R : Reel
- Material :
Contact : Brass
Base : Nylon 66 UL94V-0

 喬訊電子工業股份有限公司
CHYAO SHIUNN
ELECTRONIC INDUSTRIAL LTD.

PART NO JS-1132-XXX(XXXX)XXXXX

2.50mm Crimp Style Connectors Wafer

APPROVED BY	SCALE	UNIT	TOLERANCE	LTR	REVISION RECORD	NAME	DATE	LTR	REVISION RECORD	NAME	DATE
張育瑞		mm	.0 ±0.30	△	RoHS Compliant	XXX	2007/01/02	△	調整尺寸公差	劉國紅	2014/09/05
CHECKED BY	PROJ	VER NO.	.00 ±0.20	△	ECR DG 200706-001	XXX	2007/06/06	△			
周家慶		a8	.000 ±0.10	△	ECR 200811-011	XXX	2008/11/11	△			
DRAWN BY	DATE	SIZE	ANGLE		ECR 200904-012	黃科源	2009/04/21	CUSTOMER			
劉國紅	2014/09/05	A4	0° ±1°	△	合併圖面	吳弘文	2012/06/21				
			.0° ±	△	增加cap選項	張遠維	2013/04/22				
			SHEET 1/1	△	增加包裝選項	吳弘文	2014/02/24	Conforms to The RoHS Instruction			