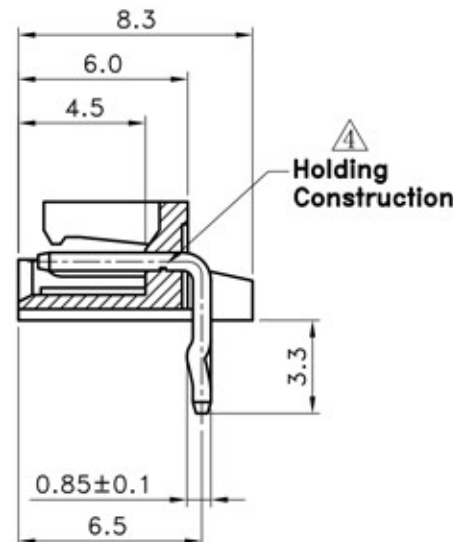
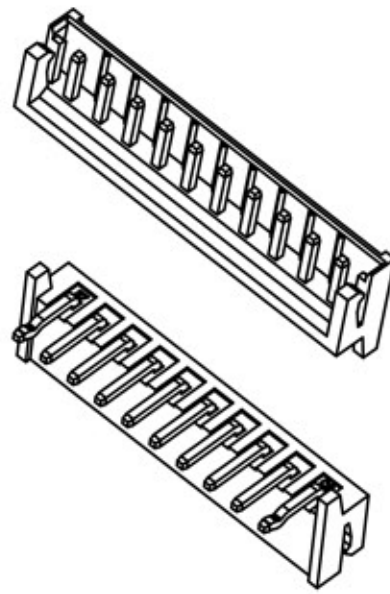
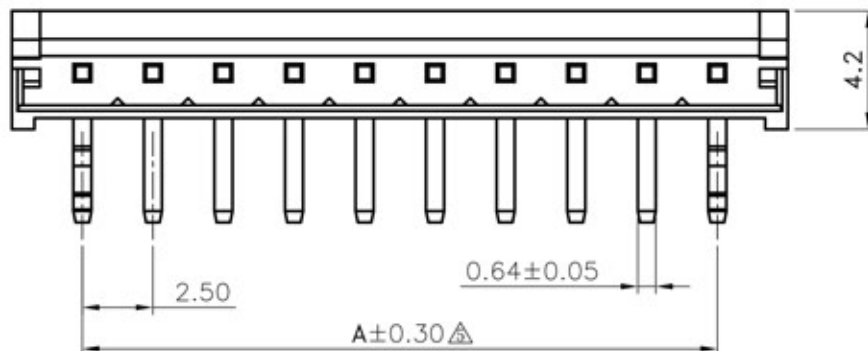
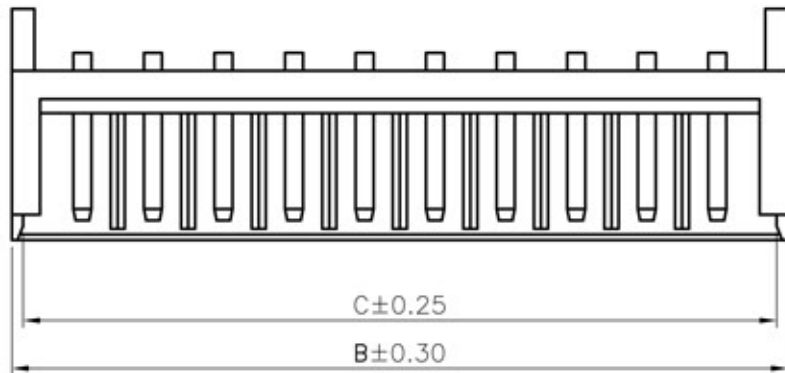


Recommended PCB Layout
General Tolerance ± 0.05



■ SPECIFICATIONS

- Voltage Rating : 250V AC/DC
- Current Rating : 3A AC/DC
- Withstanding Voltage : 800V AC/minute
- Insulation Resistance : 1,000M Ω min
- Temperature Range : - 25°C to + 85°C
- Contact Resistance : 20m Ω max

■ WAFER

- Part No. : JS-1132R - $\frac{XX}{X}$

① ② ⚠

- ① Poles: 02~15
- ② Structure:
Blank : Normal Type(Standard)
S : Holding Construction
- Material :
Contact : Brass, Tin Plated
Base : Nylon 66 UL94V-0
- Q' ty : 1,000 pcs./Bag

Poles	Dimensions(mm)		
	A	B	C
2	2.50	7.50	6.70
3	5.00	10.00	9.20
4	7.50	12.50	11.70
5	10.00	15.00	14.20
6	12.50	17.50	16.70
7	15.00	20.00	19.20
8	17.50	22.50	21.70
9	20.00	25.00	24.20
10	22.50	27.50	26.70
11	25.00	30.00	29.20
12	27.50	32.50	31.70
13	30.00	35.00	34.20
14	32.50	37.50	36.70
15	35.00	40.00	39.20



喬訊電子工業股份有限公司
CHYAO SHIUNN
ELECTRONIC INDUSTRIAL LTD.

APPROVED BY	SCALE	UNIT	TOLERANCE	LTR	REVISION RECORD	NAME	DATE	LTR	REVISION RECORD	NAME	DATE
張育瑞	1:1	mm	.0	± 0.30	⚠	/	/	⚠			
CHECKED BY	PROJ	VER NO.	.00	± 0.20	⚠	RoHS compliant	黃科源	2007/01/02	⚠		
周家慶	⊕	a5	.000	± 0.10	⚠	ECR 200811-011	黃科源	2008/11/11	⚠		
DRAWN BY	DATE	SIZE	ANGLE		⚠	PIN針增加打內K及修訂料號		任程輝	2013/05/15	CUSTOMER	
劉國紅	2014/09/05	A4	0°	$\pm 1°$	⚠	調整尺寸公差		劉國紅	2014/09/05		
			0°	\pm	⚠					Conforms to The RoHS Instruction	
			SHEET	1/1	⚠						

Part No JS-1132R-XXX
2.50mm Crimp Style Connectors Base