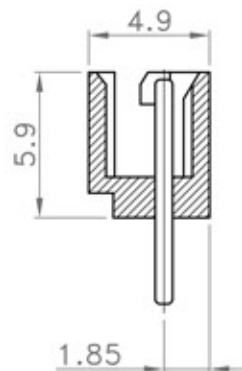
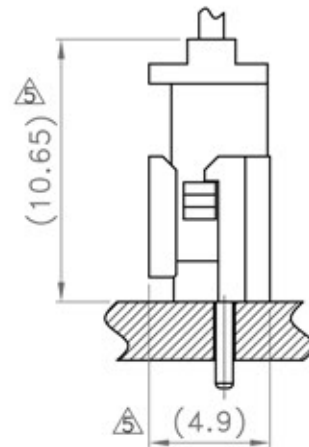
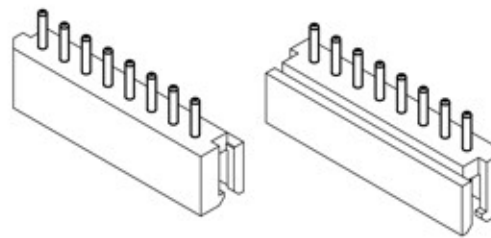
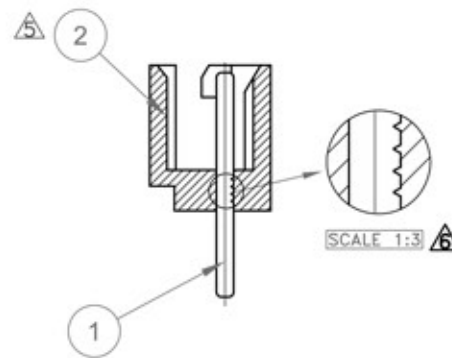


RECOMMENDED PCB LAYOUT(TOP VIEW)



Standard Construction Type



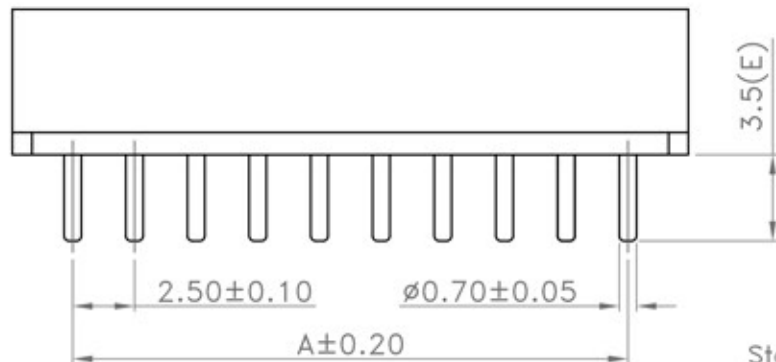
Holding Construction Type

- SPECIFICATIONS
- Current Rating : 3A AC/DC
 - Withstanding Voltage : 1,000V AC/minute
 - Insulation Resistance : 1,000MΩ min
 - Temperature Range : - 25°C to + 85°C
 - Contact Resistance : 20mΩ max

- WAFER
- Part No. : JS-1135-XX X XX XX

- ① Poles :02~15(Straight)
 ② Blank : Standard Construction
 S : Holding Construction
 ③ Blank : PA 66 V-2
 (V0) : PA 66 V-0
 (GF) : PA 66 V-0+G.F.
 ④ Blank : Bright-Tin(Sn 120 u", Ni 30 u")
 N2 : Bright-Tin(Sn 150 u", Ni 60 u")
 NM : Matte-Tin(Sn 120 u", Ni 30 u")

- Material :
- 1.Contact : Brass, Tin Plated
 - 2.Base : PA 66 V-0 / PA 66 V-2(Poles No. : 2~15P)
 PA 66 V-0 + G.F.(Poles No. Only : 2~14P)
- Q' ty: 1,000 pcs./Bag
 • Note :
 1.The PA 66 V-0+G.F. meet IEC 60335-1, Section 30.2.3



Poles	Dimensions (mm)		
	A	B	C
2	2.50	7.50	6.00
3	5.00	10.00	8.50
4	7.50	12.50	11.00
5	10.00	15.00	13.50
6	12.50	17.50	16.00
7	15.00	20.00	18.50
8	17.50	22.50	21.00
9	20.00	25.00	23.50
10	22.50	27.50	26.00
11	25.00	30.00	28.50
12	27.50	32.50	31.00
13	30.00	35.00	33.50
14	32.50	37.50	36.00
15	35.00	40.00	38.50

CHYAO SHIUNN
 ELECTRONIC INDUSTRIAL LTD.

喬訊電子工業股份有限公司

PART NO JS-1135-XX
 2.50mm Crimp Style Connectors

APPROVED BY	SCALE	UNIT	TOLERANCE	LTR	REVISION RECORD	DATE	LTR	REVISION RECORD	DATE
張育瑞		mm	.0 ±0.3	1	變更原因遺失				
CHECKED BY	PROJ	VER NO.	.00 ±0.2	2	零件針腳數目最大為20修改成15	08/10/21			
湯義龍		a6	.000 ±0.1	3	圖面與實物不符	10/01/04			
DRAWN BY	DATE	SIZE	ALL ±	4	將其他變異體料號融合為一張圖	10/06/28	CUSTOMER		
黃廣珍	2014/05/08	A4	ANGLE	5	追加GP註記	11/01/12			
			0° ±	6	修正ISPIN中B尺寸,修改打內K位	14/05/08			
			±						Conforms to The RoHS Instruction