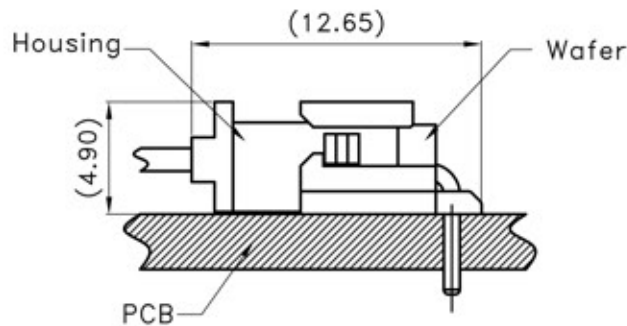
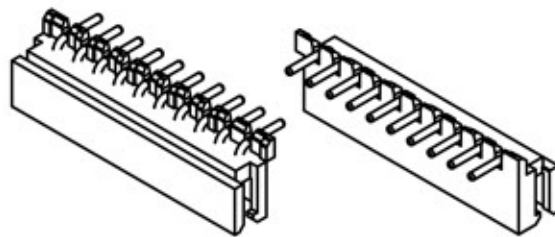
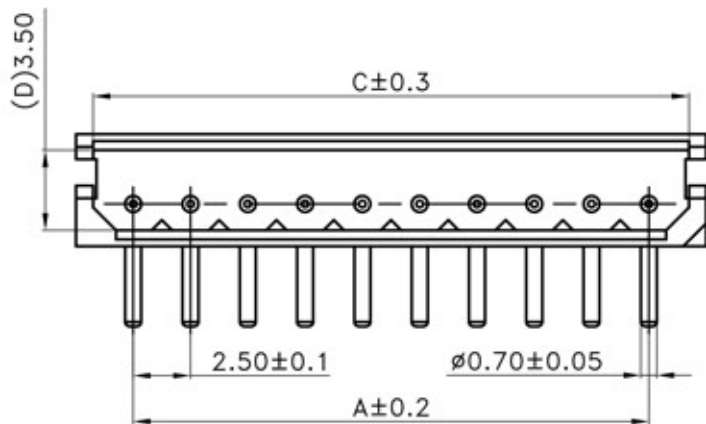
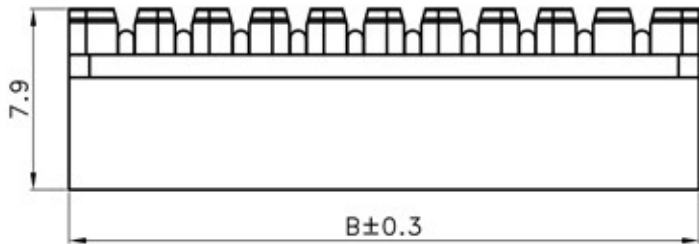
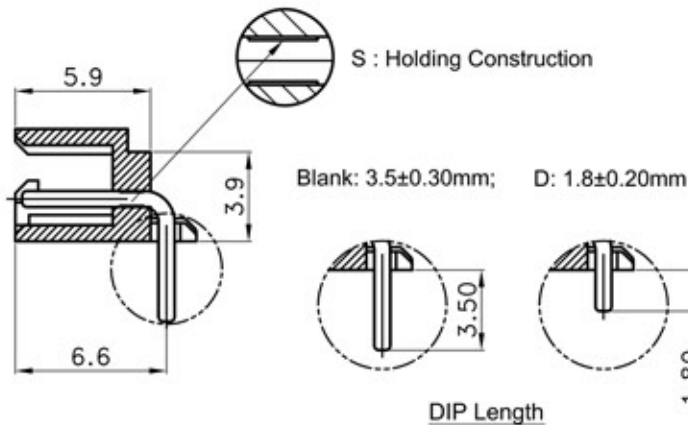


Recommended PCB Layout(Top View)



Assembly Layout (REF.)



■ SPECIFICATIONS

- Current Rating : 3A AC/DC
- Withstanding Voltage : 1,000V AC/minute
- Insulation Resistance : 1,000M Ω min
- Temperature Range : - 25℃ to + 85℃
- Contact Resistance : 20m Ω max

■ WAFER

- Part No. : JS-1135R-XX X(XX X XX) X  
① ② ③ ④ ⑤ ⑥
- ① Poles NO. 2~15
- ② Blank : Standard Construction  
S : Holding Construction
- ③ Plastic Blank : PA 66 V-2;  
V0 : PA 66 V-0;  
GF : PA 66 V-0+G.F.;  
PA : PA 46 V-0;
- ④ DIP Length: Blank: 3.5±0.30mm;  
D: 1.8±0.20mm
- ⑤ Plated: Blank : Tin Plated ;  
N2 : Tin Plated(Ni 60u" + Sn 150u")
- ⑥ Packing: Blank : Q' ty: 1,000 pcs./Bag ;  
△ /R : Tape & Reel 600Pcs/R;
- Poles :1.JS-1135R-XX: 2 - 15(Right Angle)  
2.JS-1135R-XXX(GFN2): 2 - 8(Right Angle)  
3.JS-1135R-XXX(N2):2 - 15(Right Angle)  
△4.JS-1135R-XXX(PAXXX):2 - 8(Right Angle)
- Material : 1.Contact : Brass  
2. Base : Refer the above narrative
- Mating Housing : JS-1136-XX
- Mating Terminal : JS-1136-T

Poles	Dimensions (mm)			Poles	Dimensions (mm)		
	A	B	C		A	B	C
2	2.50	7.50	6.00	9	20.00	25.00	23.50
3	5.00	10.00	8.50	10	22.50	27.50	26.00
4	7.50	12.50	11.00	11	25.00	30.00	28.50
5	10.00	15.00	13.50	12	27.50	32.50	31.00
6	12.50	17.50	16.00	13	30.00	35.00	33.50
7	15.00	20.00	18.50	14	32.50	37.50	36.00
8	17.50	22.50	21.00	15	35.00	40.00	38.50


 喬訊電子工業股份有限公司  
 CHYAO SHIUNN  
 ELECTRONIC INDUSTRIAL LTD.

PART NO JS-1135R-XXX(XXXXX)X  
 2.50mm Crimp Style Connectors Wafer

APPROVED BY	SCALE	UNIT	TOLERANCE	LTR	REVISION RECORD	NAME	DATE	LTR	REVISION RECORD	NAME	DATE
張育瑞		mm	.0 ±0.30	△				△			
CHECKED BY	PROJ	VER NO.	.00 ±0.20	△				△			
黃科源		a6	.000 ±0.10	△				△			
DRAWN BY	DATE	SIZE	ANGLE	△				△			
周家慶	2013/06/27	A4	0° ±1°	△	將其他變異體料號融合為一張圖	劉怡量	11/05/24	△			
			.0° ±	△	新增DIP Length: D: 1.8±0.20, 產品要求參照	周家慶	13/06/27	△			
			SHEET 1/1	△							

CUSTOMER  
 Conforms to The RoHS Instruction