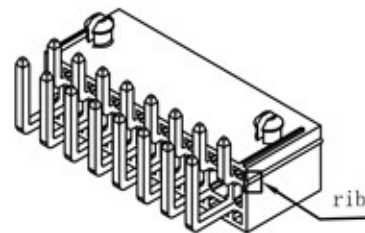
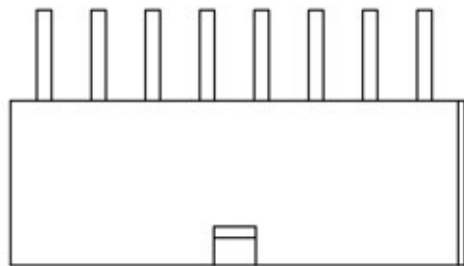
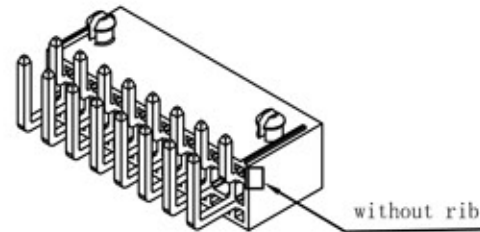


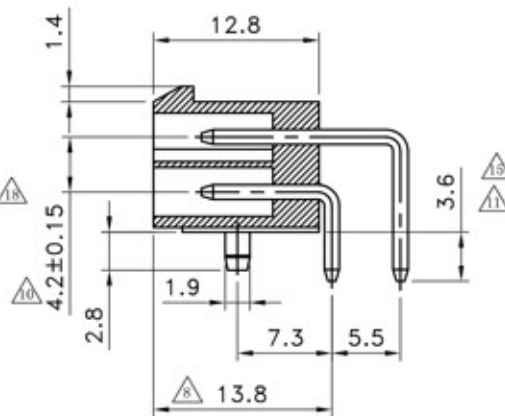
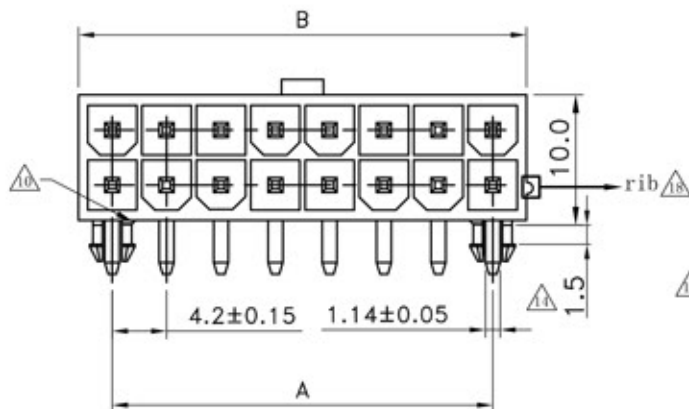
Recommended PCB Layout
General Tolerance ± 0.05



(standard type) $\Delta 18$



(Without rib type) $\Delta 18$



Poles	Dimensions(mm)	
	A	B
2	----	5.60±0.30
4	4.20±0.20	9.80±0.30
6	8.40±0.20	14.00±0.30
8	12.60±0.20	18.20±0.30
10	16.80±0.30	22.40±0.40
12	21.00±0.30	26.60±0.40
14	25.20±0.30	30.80±0.40
16	29.40±0.30	35.00±0.40
18	33.60±0.40	39.20±0.50
20	37.80±0.40	43.40±0.50
22	42.00±0.40	47.60±0.50
24	46.20±0.40	51.80±0.50

■ SPECIFICATIONS

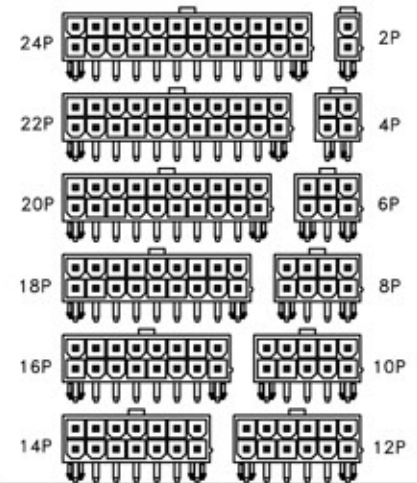
- Voltage Rating : 250 V AC/DC
- Current Rating : 7A AC/DC
- Withstanding Voltage : 1,500V AC/minute
- Insulation Resistance : 1,000M Ω min
- Temperature Range : - 40°C to + 105°C
- Contact Resistance : 20m Ω max

■ WAFER

- Part No. : JS-1153-XX XX (XX) XX XX
- ① Poles:02~24P ① ② ③ ④ ⑤

- $\Delta 18$ ② Material Base: Blank
WR:Without rib
- $\Delta 18$ ③ Material Base
Blank : Nylon 66 UL94V-2 Halogen Free
VO : Nylon 66 UL94V-0 Halogen Free
PA : PA46 UL94V-0 With Halogen
G : Polyamide 6 UL94V-2 (Glow Wire)
- $\Delta 18$ ④ Color : Blank : Nature
BK : Black
 $\Delta 18$ BK7C : Black 7C } (For V0,V2,PA)
OR : Orange
BU : Blue
R : Red
Y : Yellow
- ⑤ Package : Blank : Box
D : Bag $\Delta 18$

Material: Contact : Brass, 120u" min
Tin over all 30u" Ni



喬訊電子工業股份有限公司
CHYAO SHIUNN
ELECTRONIC INDUSTRIAL LTD.

PART NO JS-1153-XXXX(XX)XXXX
4.20mm D/R Power Connectors Wafer

APPROVED BY	SCALE	UNIT	TOLERANCE	LTR	REVISION RECORD	NAME	DATE	LTR	REVISION RECORD	NAME	DATE
Tom Shih	1:1	mm	.0 ± 0.30	$\Delta 18$	取消隔道項,修改尺寸公差,增加印包裝方式增加柱子測高	黃廣珍	2013/05/06	$\Delta 18$	增加G材料及顏色	林宛盈	2016/05/06
CHECKED BY	PROJ	VER NO.	.00 ± 0.20	$\Delta 18$	修改DIP尺寸公差	黃廣珍	2013/07/11	$\Delta 18$	料號內容說明增加: 膠為無助錫選項	藍美娜	2016/08/04
Erin Chou		a19	.000 ± 0.10	$\Delta 18$	加註齒素敘述	吳弘文	2013/09/17	$\Delta 18$	依ECR-00000160修改產品敘述	Tom Lee	2016/08/10
DRAWN BY	DATE	SIZE	ANGLE	$\Delta 18$	修改Layout圖 6.7尺寸為6.5與實物一致	黃廣珍	2013/09/24	CUSTOMER Conforms to The RoHS Instruction			
Tom Lee	2016/08/10	A4	0° $\pm 1°$	$\Delta 18$	增加定位柱尺寸標示	吳弘文	2014/03/25				
			0° \pm	$\Delta 18$	修改尺寸公差	鄭小嬌	2015/02/02				
			SHEET 1/1	$\Delta 18$	增加BK7C顏色選擇	曾慶根	2015/06/12				