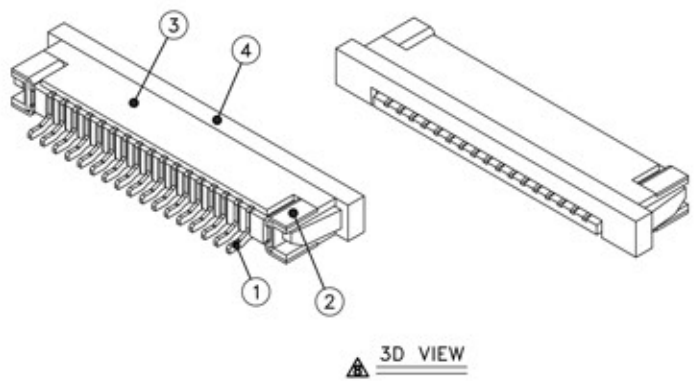
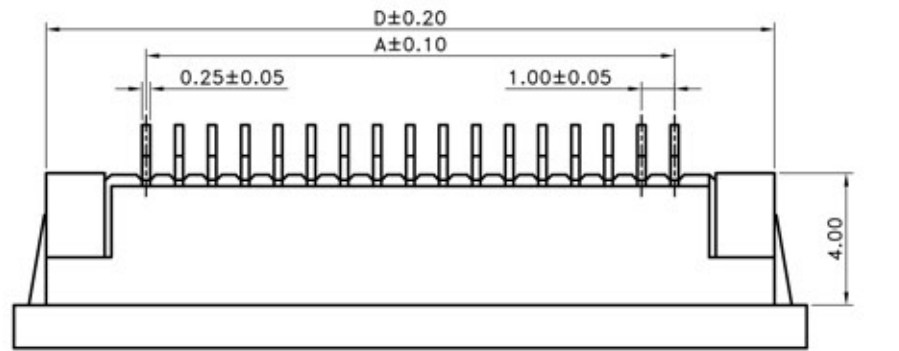
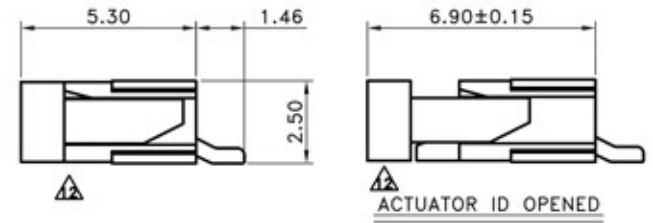
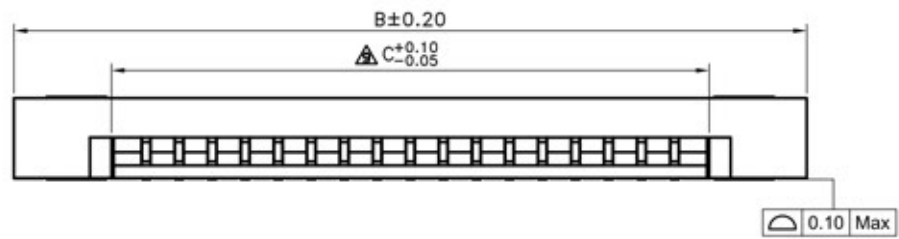


- SPECIFICATIONS
- Current Rating : 0.5A AC/DC
 - Withstanding Voltage : 200V AC/minute
 - Insulation Resistance : 500m Ω min
 - Temperature Range : - 25°C to + 85°C
 - Contact Resistance : 30m Ω max
- FFC/FPC
- Part No. : JS-1157D-XX ^①
- Ordering Code:
- ① Poles : 04~30
- Material :
1. Contact : Phos. Bronze, Matte-Tin Plated
 2. Solder Nail : Brass, Matte-Tin Plated
 3. Base : LCP UL94V-0, Color:Nature
 4. Actuator : LCP UL94V-0, Color:Black
- Q' ty : 1,500 pcs./Tape & Reel



Poles	Dimension			
	A	B	C	D
4	3.00	11.00	5.10	9.05
5	4.00	12.00	6.10	10.05
6	5.00	13.00	7.10	11.05
7	6.00	14.00	8.10	12.05
8	7.00	15.00	9.10	13.05
9	8.00	16.00	10.10	14.05
10	9.00	17.00	11.10	15.05
11	10.00	18.00	12.10	16.05
12	11.00	19.00	13.10	17.05
13	12.00	20.00	14.10	18.05
14	13.00	21.00	15.10	19.05
15	14.00	22.00	16.10	20.05
16	15.00	23.00	17.10	21.05
17	16.00	24.00	18.10	22.05
18	17.00	25.00	19.10	23.05
19	18.00	26.00	20.10	24.05
20	19.00	27.00	21.10	25.05
21	20.00	28.00	22.10	26.05
22	21.00	29.00	23.10	27.05
23	22.00	30.00	24.10	28.05
24	23.00	31.00	25.10	29.05
25	24.00	32.00	26.10	30.05
26	25.00	33.00	27.10	31.05
27	26.00	34.00	28.10	32.05
28	27.00	35.00	29.10	33.05
29	28.00	36.00	30.10	34.05
30	29.00	37.00	31.10	35.05



CHYAO SHIUNN ELECTRONIC INDUSTRIAL LTD.

PART NO JS-1157D-XX

1.00mm FPC/FFC CONNECTOR, SIDE ENTRY & LOWER CONTACT (H=2.5mm)

APPROVED BY	SCALE	UNIT	TOLERANCE	LTR	REVISION RECORD	NAME	DATE	LTR	REVISION RECORD	NAME	DATE
張育瑞		mm	.0 ±0.30	▲	修改C尺寸公差及增加3D視圖	王誠賢	2010/12/23	▲			
CHECKED BY	PROJ	VER NO.	.00 ±0.20	▲	尺寸變動	王誠賢	2012/02/01	▲			
周慈雲		a13	.000 ±0.10	▲	增加Layout位置尺寸	周慈雲	2012/07/26	▲			
DRAWN BY	DATE	SIZE	ANGLE		修正Solder Nail 材質	吳弘文	2013/01/21		CUSTOMER		
吳弘文	2015/06/23	A4	0°	±1°	修正產品外觀	吳弘文	2014/09/03				
			.0°	±	依規格書修定耐電壓	吳弘文	2015/06/23				
			SHEET	1/1					Conforms to The RoHS Instruction		