

### SPECIFICATIONS

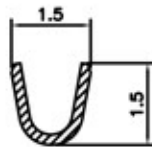
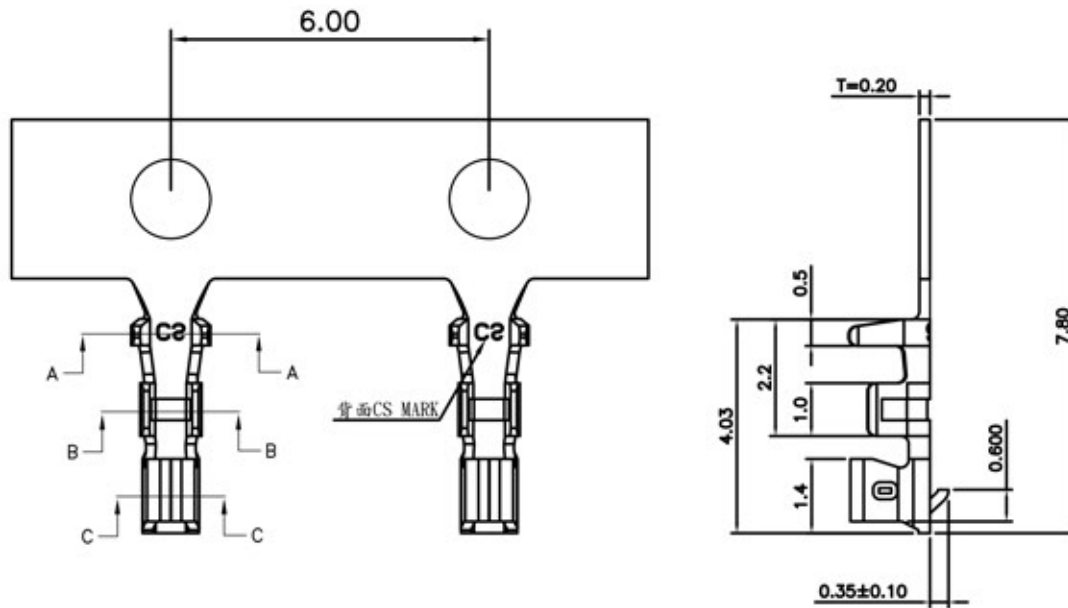
- Current Rating : 1A AC/DC
- Withstanding Voltage : 500V AC/minute
- Insulation Resistance : 500MΩ min
- Temperature Range : - 25°C to + 85°C
- Contact Resistance : 20mΩ max

### TERMINAL

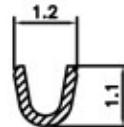
- Part No. : JS-1173-TXX

Blank: Ni>10u", Sn>50u" 先鍍後沖  
2: Ni>30u", Sn>100u"

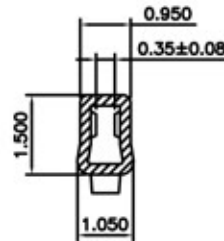
- Applicable Wires : AWG#28~32
- Material : Phos.Bronze
- Thickness : 0.2mm
- Q' ty : 10,000pcs./Reel



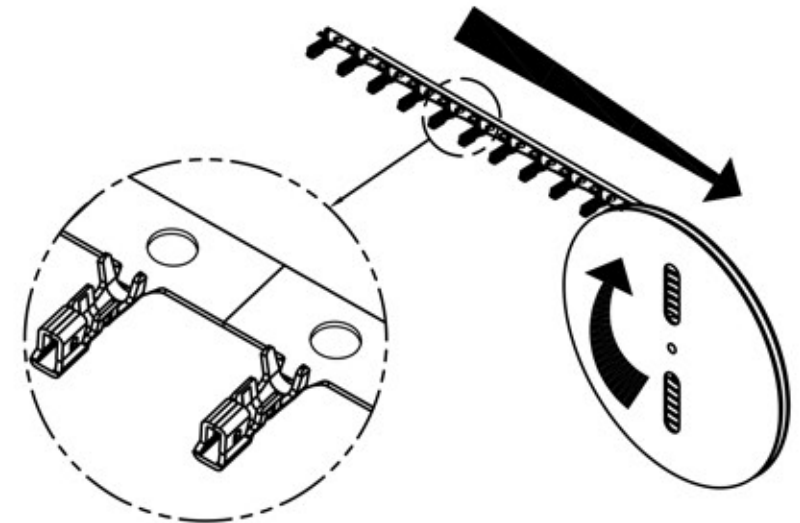
A-A SEC



B-B SEC



C-C SEC



產品收料圖



喬訊電子工業股份有限公司  
CHYAO SHIUNN  
ELECTRONIC INDUSTRIAL LTD.

PART NO JS-1173-TXX  
1.50mm Crimp Style Connectors TER

APPROVED BY	SCALE	UNIT	TOLERANCE	LTR	REVISION RECORD	NAME	DATE	LTR	REVISION RECORD	NAME	DATE
張育瑞	1:1	mm	.0 ±0.30	△				△			
CHECKED BY	PROJ	VER NO.	.00 ±0.25	△				△			
蕭國川	⊕	a	.000 ±0.10	△				△			
DRAWN BY	DATE	SIZE	ANGLE	△					CUSTOMER		
周美麗	2011/08/25	A4	0° ±1°	△					Conforms to The RoHS Instruction		
			.0° ±	△							
			SHEET 1/1	△							