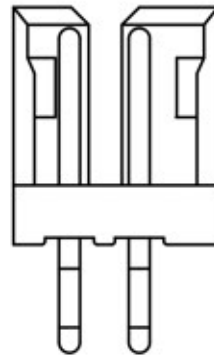
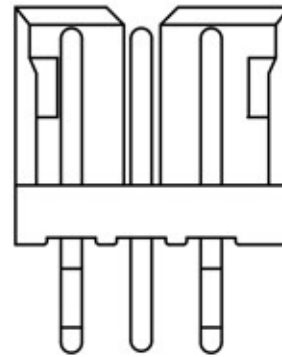


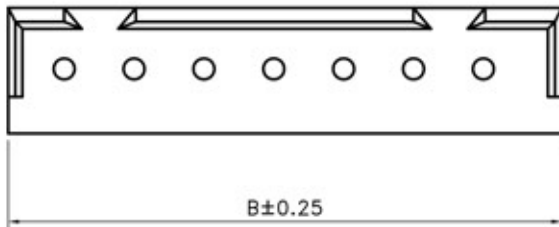
Recommend PCB Layout(Top View)



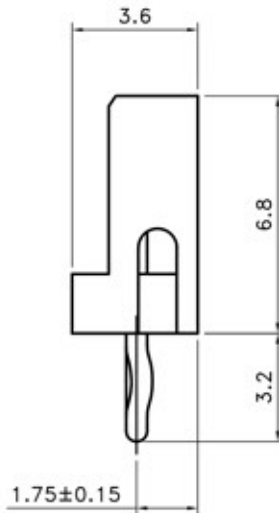
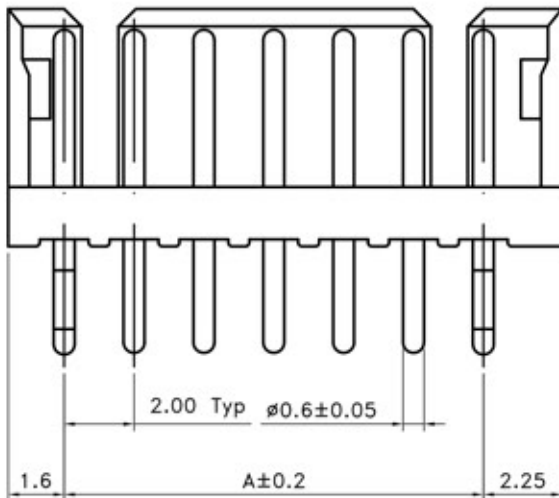
2 Circuit



3 Circuit



4~15 Circuit



■ SPECIFICATIONS

- ⚠ Voltage Rating : 100V AC/DC
- Current Rating : 2A AC/DC
- Withstanding Voltage : 800V AC/minute
- Insulation Resistance : 1000MΩ min
- Temperature Range : - 25°C to + 85°C
- Contact Resistance : 20mΩ max

■ WAFER

- Part No. : JS-2006-XX
- Poles : 2~15(Straight)
- Material : Contact : Brass, Tin Plated
Bsaе : Nylon 66 UL94V-0
- Q' ty : 1,000 pcs./Bag

Poles	Dimensions	
	A	B
2	2.00	5.85
3	4.00	7.85
4	6.00	9.85
5	8.00	11.85
6	10.00	13.85
7	12.00	15.85
8	14.00	17.85
9	16.00	19.85
10	18.00	21.85
11	20.00	23.85
12	22.00	25.85
13	24.00	27.85
14	26.00	29.85
15	28.00	31.85

 喬訊電子工業股份有限公司
CHYAO SHIUNN
ELECTRONIC INDUSTRIAL LTD.

PART NO JS-2006-XX
2.00mm Crimp Style Connectors Wafer(Straight)

APPROVED BY	SCALE	UNIT	TOLERANCE	LTR	REVISION RECORD	NAME	DATE	LTR	REVISION RECORD	NAME	DATE
張育瑞		mm	.0 ±0.30	⚠	DG 200708-001	XXX	2007/08/01	⚠			
CHECKED BY	PROJ	VER NO.	.00 ±0.20	⚠	ECR 200709-002	XXX	2007/09/07	⚠			
周慈雲		a4	.000 ±0.10	⚠	ECR 200808-016	黃科源	2008/08/27	⚠			
DRAWN BY	DATE	SIZE	ANGLE		修正額定電壓	吳弘文	2014/12/24		CUSTOMER		
吳弘文	2014/12/24	A4	0° ±1°	⚠					Conforms to The RoHS Instruction		
			.0° ±	⚠							
			SHEET 1/1	⚠							