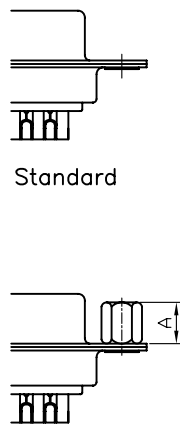
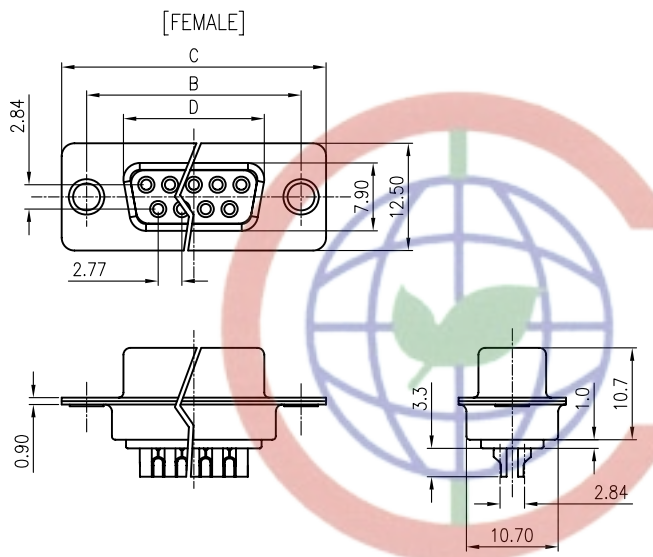


REV.	DESCRIPTION	DRAWN	CHECKED	APPROVED
A	NEW RELEASE	LJH 09/24/05'	~	LJC 09/24/05'
B	ADD 50pin drawing	LJC 02/10/07'	~	LJC 06/16/07'
C	ADD BR TYPE	YCH 07/10/07'	~	

NOTES:

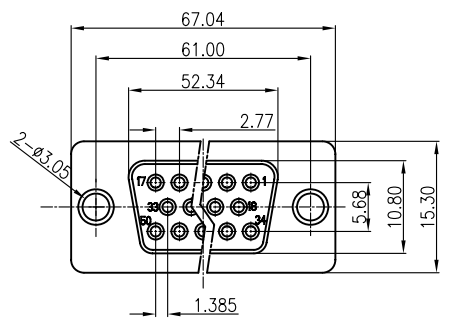
- ELECTRICAL CHARACTERISTICS:
    - CONTACT RESISTANCE: 20mΩ Max. INITIAL.
    - DIELECTRIC WITHSTANDING VOLTAGE: 500V AC(rms) FOR 1 MINUTE.
    - INSULATION RESISTANCE: 1000MΩ Min.
  - ENVIRONMENT CHARACTERISTICS:
 

TEMPERATURE RANGE: -45°C~+105°C.
  - PART NUMBER: DS1033
  - PRODUCT NUMBER CODE:  
DS1033- X X X X X X X
- SCREW DIM. A  
S: Standard(W/O nut)  
1: 5.00  
2: 3.00  
3: 5.20  
4: 4.80  
5: 5.80  
6: 4.00
- SCREW TYPE  
S: Standard(W/O nut)  
1: CC TYPE  
2: CS TYPE  
3: CSH TYPE
- CONTACT PLATING  
8: FULL GOLD FLASH  
Si: SELECTIVE GOLD FLASH  
6: Full Tin
- SHELL PLATING  
T: FRONT & BACK SHELL Tin  
N: FRONT SHELL Nickel,  
BACK SHELL Tin
- HOUSING COLOR  
B: BLACK  
W: WHITE  
U: BLUE
- CONNECTOR TYPE  
M: Male  
F: Female
- No. OF CONTACTS  
09: 9pos.  
15: 15pos.  
25: 25pos.  
37: 37pos.  
50: 50pos.

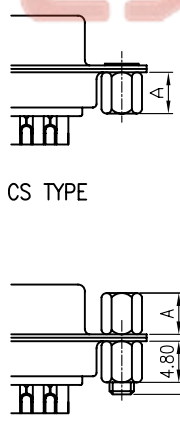
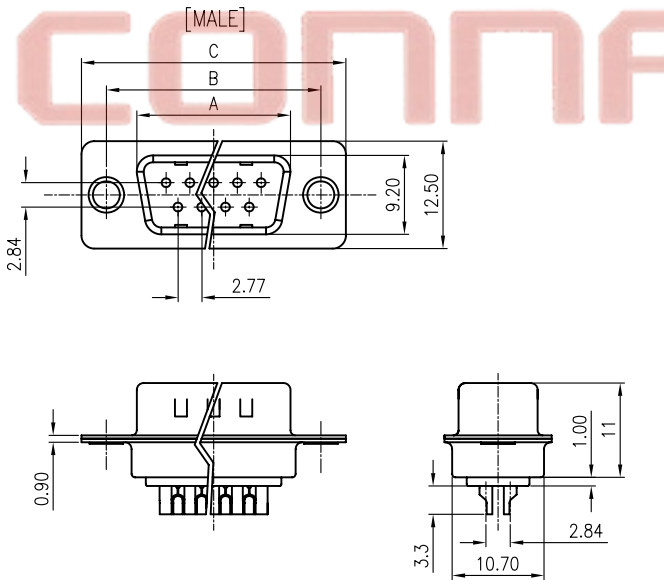


Standard

CC TYPE

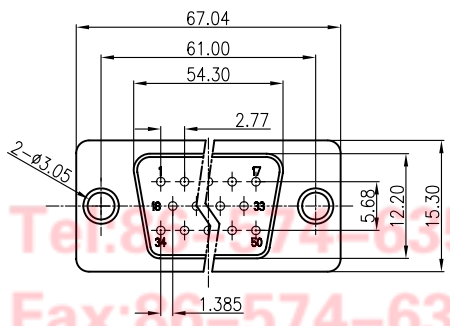


50pin Female Figure



CS TYPE

CSH TYPE



50pin Male Figure

Dimension

Position	A±0.2	B±0.2	C±0.3	D
9	17.90	24.99	30.80	16.33
15	26.50	33.32	39.14	24.66
25	40.00	47.04	53.04	38.38
37	56.50	63.50	69.32	54.84

GENERAL TOLERANCE	ANGLE TOLERANCE
X. ±0.60	X. ±5°
.X ±0.38	.X ±3°
.XX ±0.25	.XX ±2°

PROJECTION	TITLE
	D-SUB SOLDER TYPE
UNITS	mm
SHEET SIZE	A4
SERIES	DS1033 SERIES

DRAWING TYPE	CUSTOMER
SCALE	1:1 SHEET 1 OF 1
DRAWING NO.	C-DS1033-XXXXXXX

晨翔电子有限公司  
CONNFLY CONNFLY ELECTRONIC CO. LTD

Tel: 86-574-63508787  
Fax: 86-574-63510817  
E-mail: sale@zhengqin.com.cn  
Http://www.connfly.com