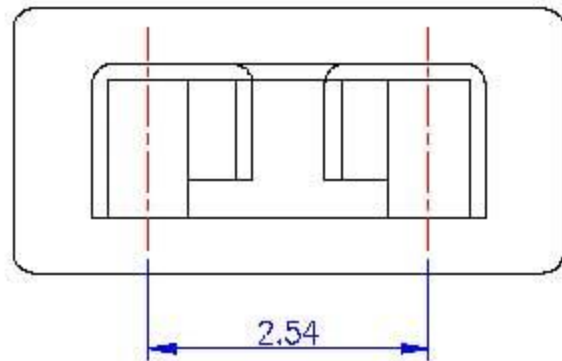
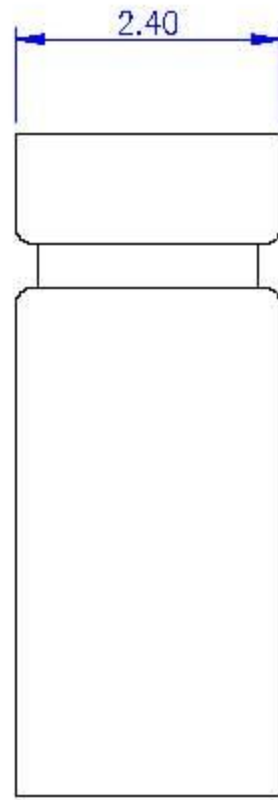
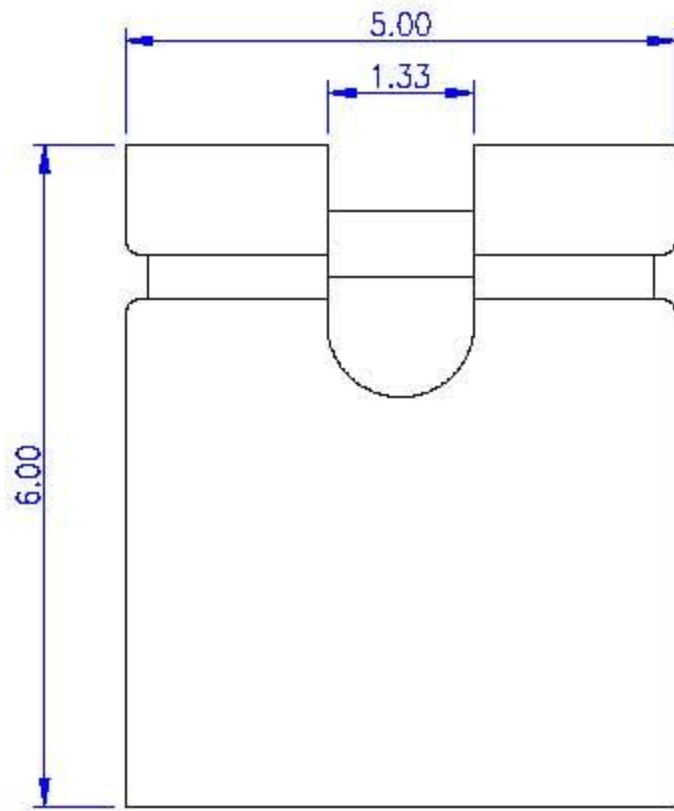


Rev.	Date	Description
A	2005/04/31	New Drawing



Order Information

255201 * - *

Terminal Material

B: Brass

P: Phosphor Bronze

Housing Color Options

Blank: Black (Standard)

L: Blue

PENZEL
COMERCIO EXTERIOR LTDA.

Material and Finish

- Housing: Thermoplastic (UL94V-0)
- Terminal: Copper Alloy, Gold Plating

Electrical Characteristics

- Current Rating: 3.0 Amp. Min.

Mechanical Characteristics

- Operating Temperature: -55°C - +105°C

1:1	Rev. 1	2005/04/31	255201	HD255201
		<i>Assist Amanda Alar</i>		

2.54mm Mini Jump
Open Type (6.00mm)