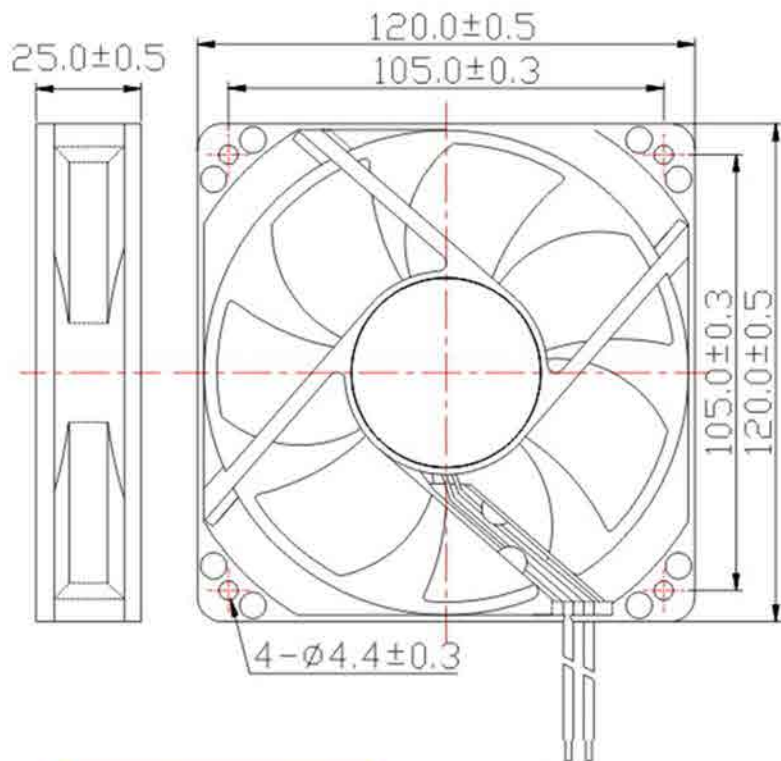
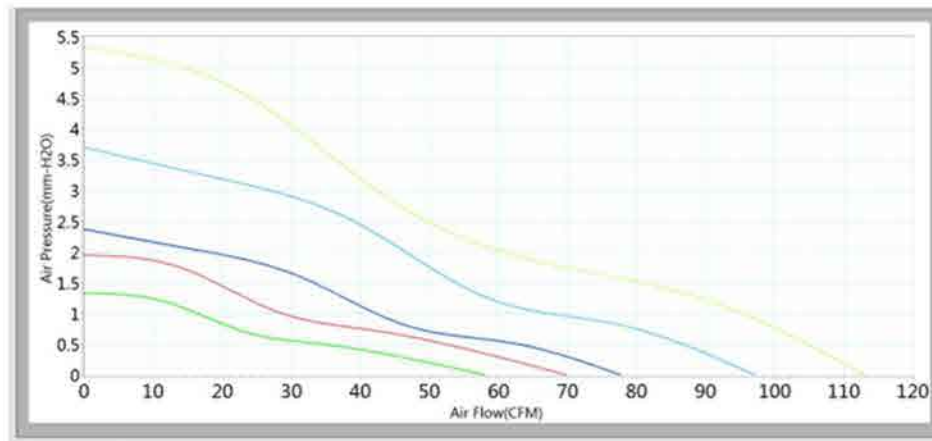


Dimensions Drawing

Unit:mm



Characteristic Curves



3000RPM
1800RPM

2500RPM
1500RPM

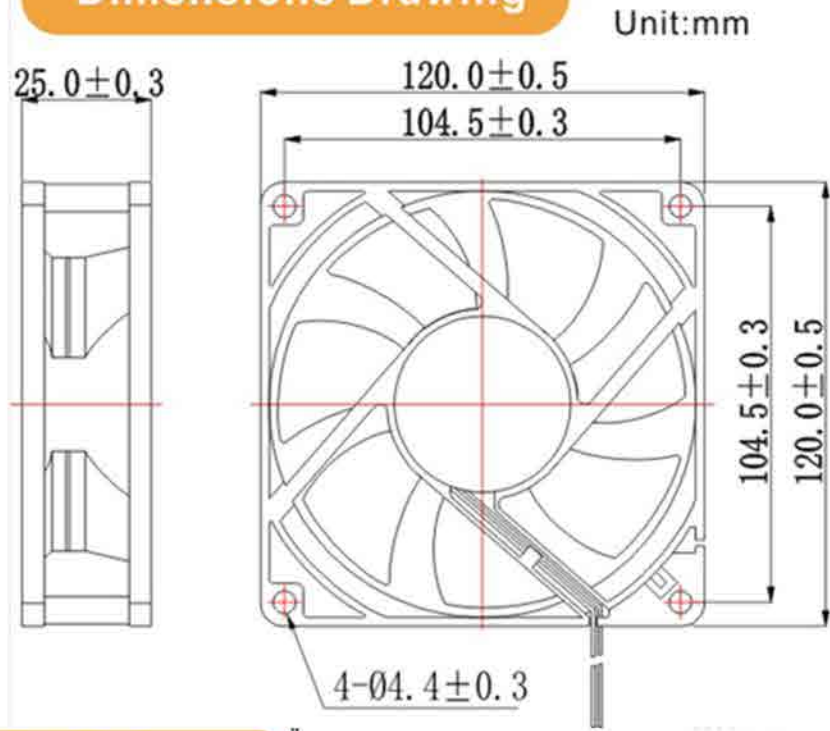
2000RPM

Specifications

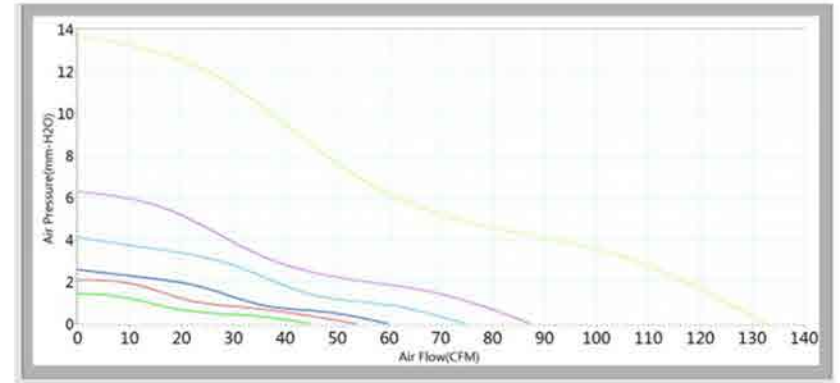
Model	Bearing Type	Rated Voltage	Current	Speed	Air Flow	Static Pressure	Noise Level	Weight
		VDC	A	RPM	CFM	mmH ₂ O	dBA	g
YDH1225X05	S or B	5	0.50	2000	77.70	2.37	32.95	128
YDM1225X05	S or B	5	0.30	1800	69.90	1.95	30.40	128
YDL1225X05	S or B	5	0.20	1500	58.20	1.33	26.00	128
YDH1225X12	S or B	12	0.30	2500	97.12	3.70	38.28	128
YDM1225X12	S or B	12	0.20	2000	77.70	2.37	32.95	128
YDL1225X12	S or B	12	0.12	1500	58.20	1.33	26.00	128
YDH1225X18	S or B	18	0.30	2500	97.12	3.70	38.28	128
YDM1225X18	S or B	18	0.25	2000	77.70	2.37	32.95	128
YDL1225X18	S or B	18	0.20	1500	58.20	1.33	26.00	128
YDM1225X24	S or B	24	0.30	3000	113.07	5.33	42.64	128
YDL1225X24	S or B	24	0.15	2000	77.70	2.37	32.95	128
YDM1225X48	S or B	48	0.15	3000	113.07	5.33	42.64	128
YDL1225X48	S or B	48	0.10	2000	77.70	2.37	32.95	128



Dimensions Drawing



Characteristic Curves



4500RPM
3000RPM

4000RPM
2500RPM

3500RPM
2000RPM

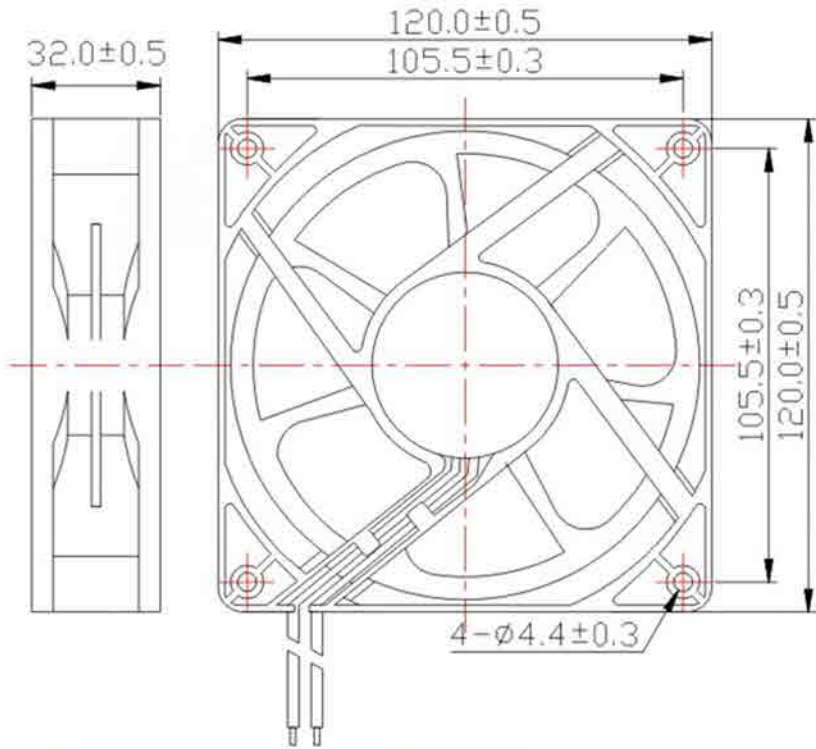
Specifications

Model	Bearing Type	Rated Voltage	Current	Speed	Air Flow	Static Pressure	Noise Level	Weight
		VDC	A	RPM	CFM	mmH ₂ O	dBA	g
YDH1225X05	S or B	5	0.50	2000	59.75	2.57	30.48	178
YDM1225X05	S or B	5	0.30	1800	53.77	2.10	28.00	178
YDL1225X05	S or B	5	0.20	1500	44.80	1.45	23.65	178
YDH1225X12	S or B	12	0.30	2500	74.69	4.10	35.80	178
YDM1225X12	S or B	12	0.20	2000	59.75	2.57	30.48	178
YDL1225X12	S or B	12	0.12	1500	44.80	1.45	23.65	178
YDH1225X18	S or B	18	0.30	2500	74.69	4.10	35.80	178
YDM1225X18	S or B	18	0.25	2000	59.75	2.57	30.48	178
YDL1225X18	S or B	18	0.20	1500	44.80	1.45	23.65	178
YDH1225X24	S or B	24	0.40	4300	132.58	13.64	51.05	178
YDM1225X24	S or B	24	0.30	3000	87.25	6.27	40.12	178
YDL1225X24	S or B	24	0.15	2000	59.75	2.57	30.48	178
YDH1225X48	S or B	48	0.20	4300	132.58	13.64	51.05	178
YDM1225X48	S or B	48	0.15	3000	87.25	6.27	40.12	178
YDL1225X48	S or B	48	0.10	2000	59.75	2.57	30.48	178

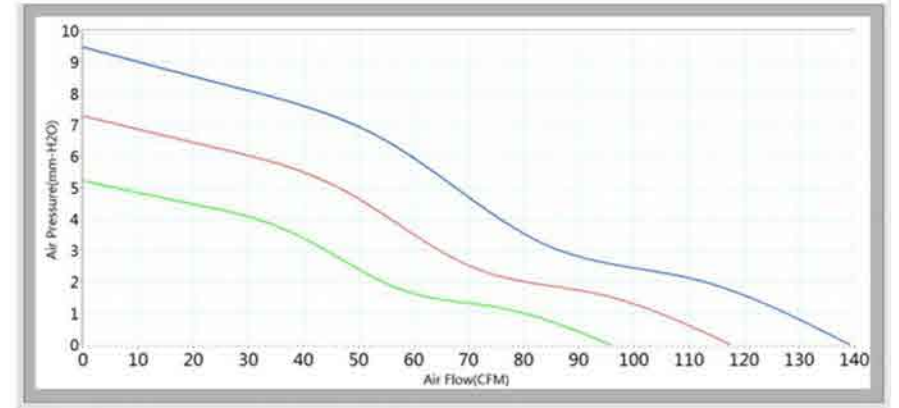


Dimensions Drawing

Unit:mm



Characteristic Curves



— 3500RPM

— 3000RPM

— 2500RPM

Specifications

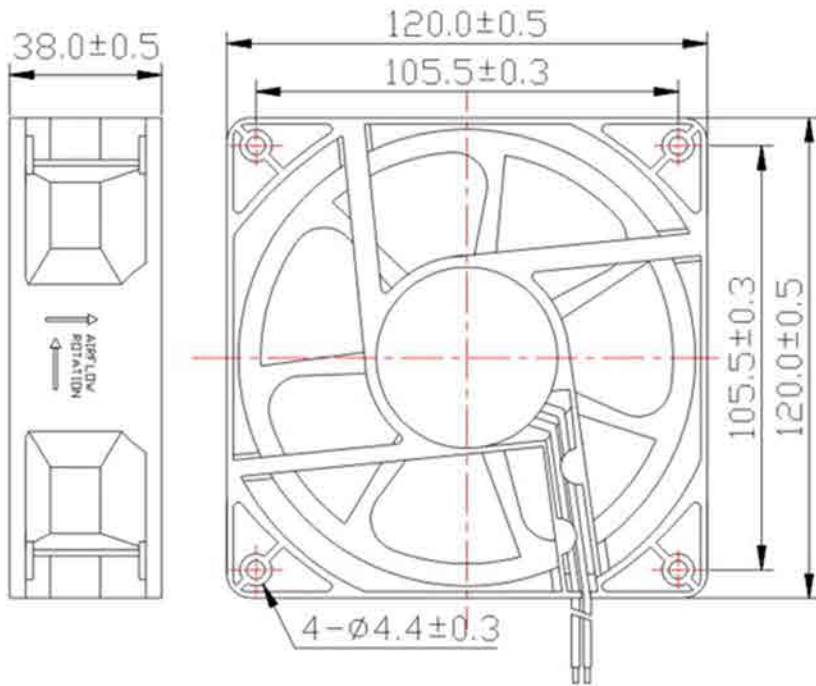
Model	Bearing Type	Rated Voltage	Current	Speed	Air Flow	Static Pressure	Noise Level	Weight
		VDC	A	RPM	CFM	mmH ₂ O	dBA	g
YDH1232X12	S or B	12	0.60	3500	139.09	9.47	48.68	200
YDM1232X12	S or B	12	0.50	3000	117.53	7.28	45.68	200
YDL1232X12	S or B	12	0.32	2500	95.79	5.21	39.63	200
YDH1232X24	S or B	24	0.40	3500	139.09	9.47	48.68	200
YDM1232X24	S or B	24	0.30	3000	117.53	7.28	45.68	200
YDL1232X24	S or B	24	0.20	2500	95.79	5.21	39.63	200
YDH1232X48	S or B	48	0.20	3500	139.09	9.47	48.68	200
YDM1232X48	S or B	48	0.15	3000	117.53	7.28	45.68	200
YDL1232X48	S or B	48	0.10	2500	95.79	5.21	39.63	200



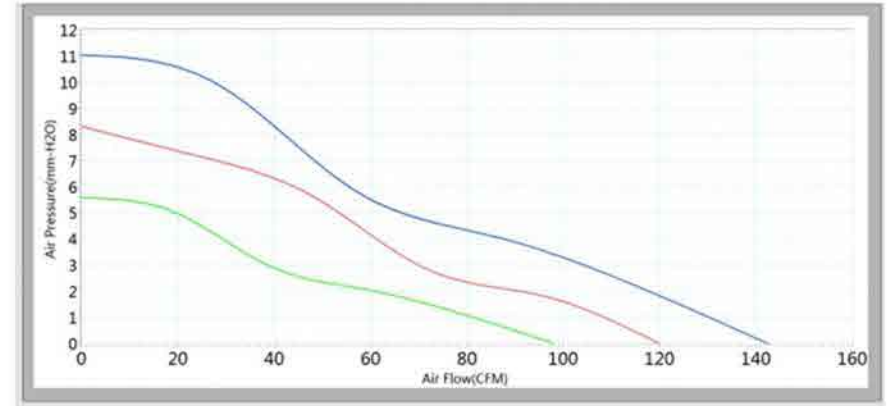
1. Specifications subject to change without notice; 2. Design and provide products according to client's requirements.

Dimensions Drawing

Unit:mm



Characteristic Curves



— 3800RPM

— 3200RPM

— 2600RPM

Specifications

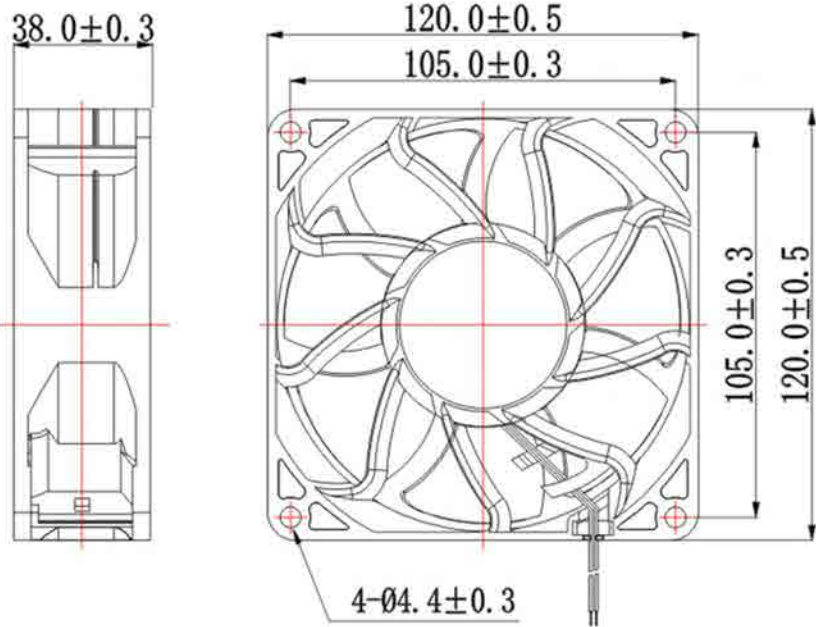
Model	Bearing Type	Rated Voltage	Current	Speed	Air Flow	Static Pressure	Noise Level	Weight
		VDC	A	RPM	CFM	mmH ₂ O	dBA	g
YDH1238X12	S or B	12	0.70	3800	142.45	11.04	52.65	240
YDM1238X12	S or B	12	0.40	3200	120.01	8.31	48.54	240
YDL1238X12	S or B	12	0.30	2600	98.12	5.58	43.58	240
YDH1238X24	S or B	24	0.60	3800	142.45	11.04	52.65	240
YDM1238X24	S or B	24	0.40	3200	120.01	8.31	48.54	240
YDL1238X24	S or B	24	0.20	2600	98.12	5.58	43.58	240
YDH1238X48	S or B	48	0.30	3800	142.45	11.04	52.65	240
YDM1238X48	S or B	48	0.20	3200	120.01	8.31	48.54	240
YDL1238X48	S or B	48	0.10	2600	98.12	5.58	43.58	240



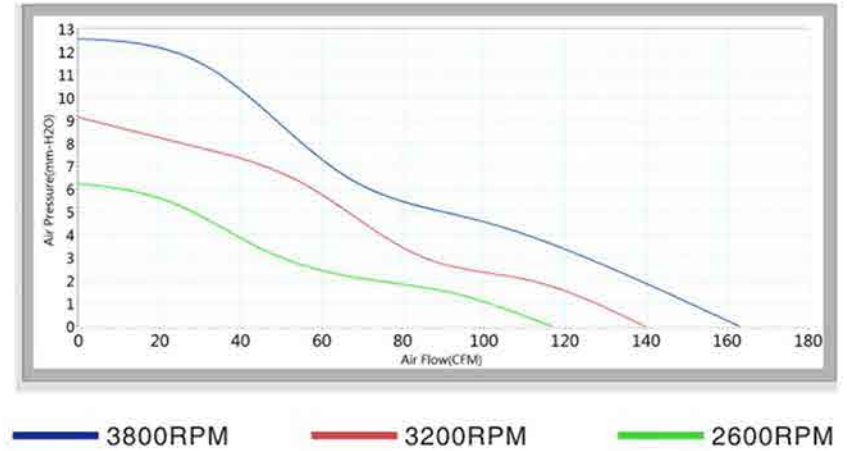
1. Specifications subject to change without notice; 2. Design and provide products according to client's requirements.

Dimensions Drawing

Unit:mm



Characteristic Curves



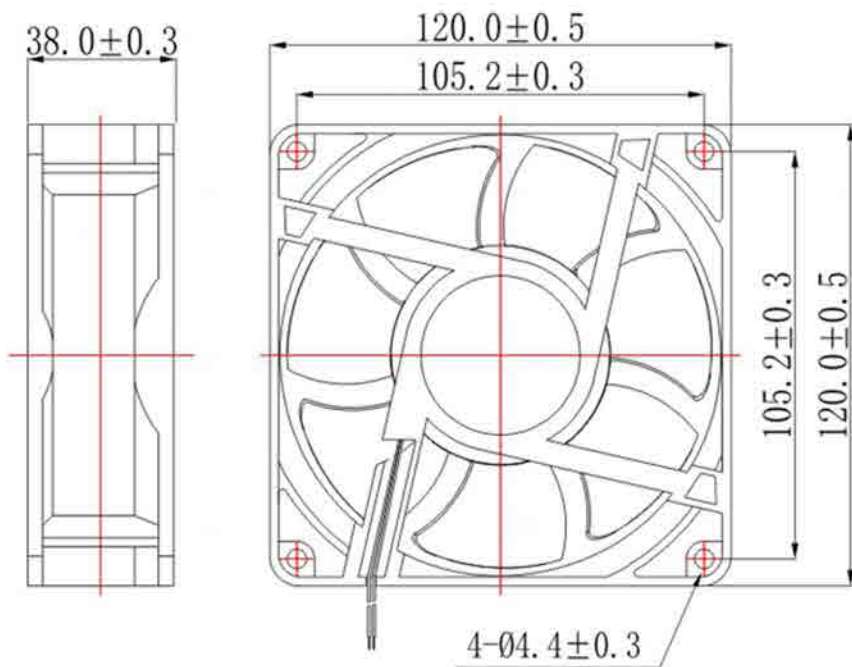
Specifications

Model	Bearing Type	Rated Voltage	Current	Speed	Air Flow	Static Pressure	Noise Level	Weight
		VDC	A	RPM	CFM	mmH ₂ O	dBA	
YDH1238X12	S or B	12	0.70	3800	163.07	12.57	53.71	265
YDM1238X12	S or B	12	0.40	3200	139.78	9.14	49.81	265
YDL1238X12	S or B	12	0.30	2600	116.75	6.24	42.68	265
YDH1238X24	S or B	24	0.60	3800	163.07	12.57	53.71	265
YDM1238X24	S or B	24	0.40	3200	139.78	9.14	49.81	265
YDL1238X24	S or B	24	0.20	2600	116.75	6.24	42.68	265
YDH1238X48	S or B	48	0.30	3800	163.07	12.57	53.71	265
YDM1238X48	S or B	48	0.20	3200	139.78	9.14	49.81	265
YDL1238X48	S or B	48	0.10	2600	116.75	6.24	42.68	265

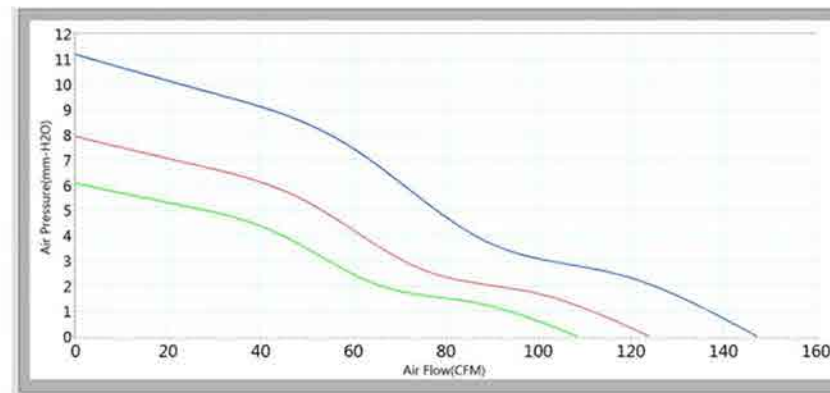


Dimensions Drawing

Unit:mm



Characteristic Curves



— 3800RPM

— 3200RPM

— 2600RPM

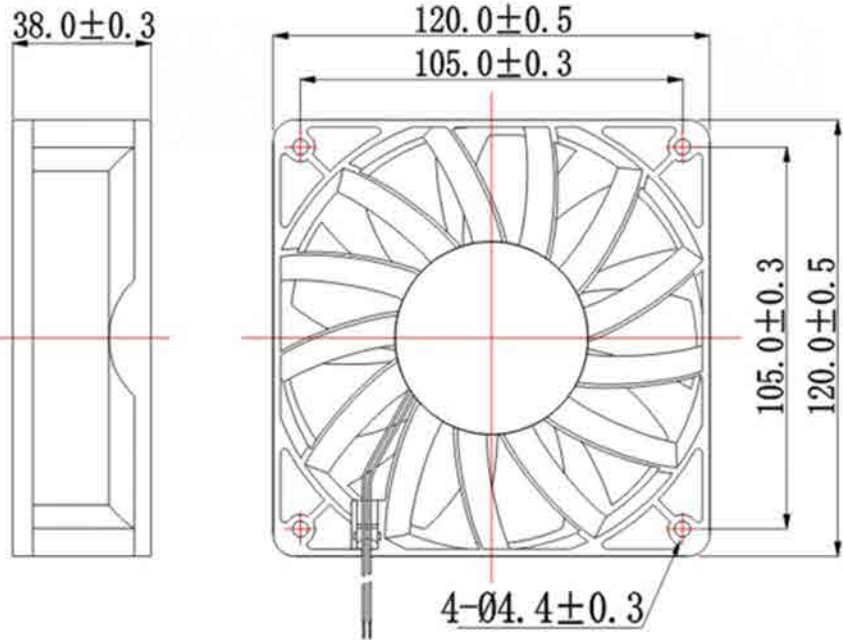
Specifications

Model	Bearing Type	Rated Voltage	Current	Speed	Air Flow	Static Pressure	Noise Level	Weight
		VDC	A	RPM	CFM	mmH ₂ O	dBA	
YDH1238X12	S or B	12	0.70	3800	147.26	11.18	52.65	230
YDM1238X12	S or B	12	0.40	3200	124.01	7.93	48.54	230
YDL1238X12	S or B	12	0.30	2600	108.51	6.07	43.58	230
YDH1238X24	S or B	24	0.60	3800	147.26	11.18	52.65	230
YDM1238X24	S or B	24	0.40	3200	124.01	7.93	48.54	230
YDL1238X24	S or B	24	0.20	2600	108.51	6.07	43.58	230
YDH1238X48	S or B	48	0.30	3800	147.26	11.18	52.65	230
YDM1238X48	S or B	48	0.20	3200	124.01	7.93	48.54	230
YDL1238X48	S or B	48	0.10	2600	108.51	6.07	43.58	230

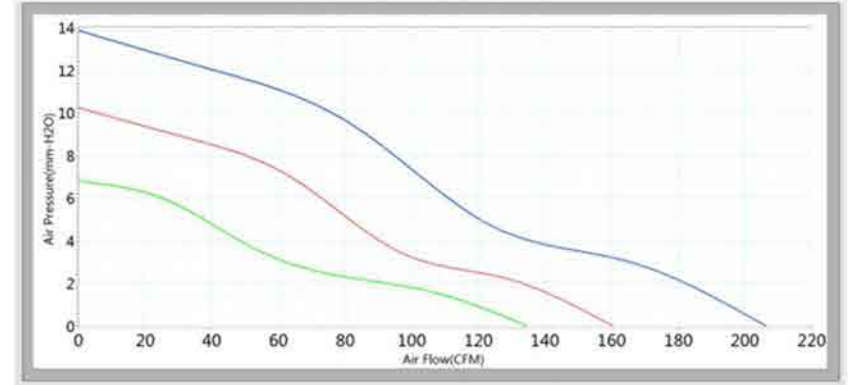


Dimensions Drawing

Unit:mm



Characteristic Curves



— 3800RPM

— 3200RPM

— 2600RPM

Specifications

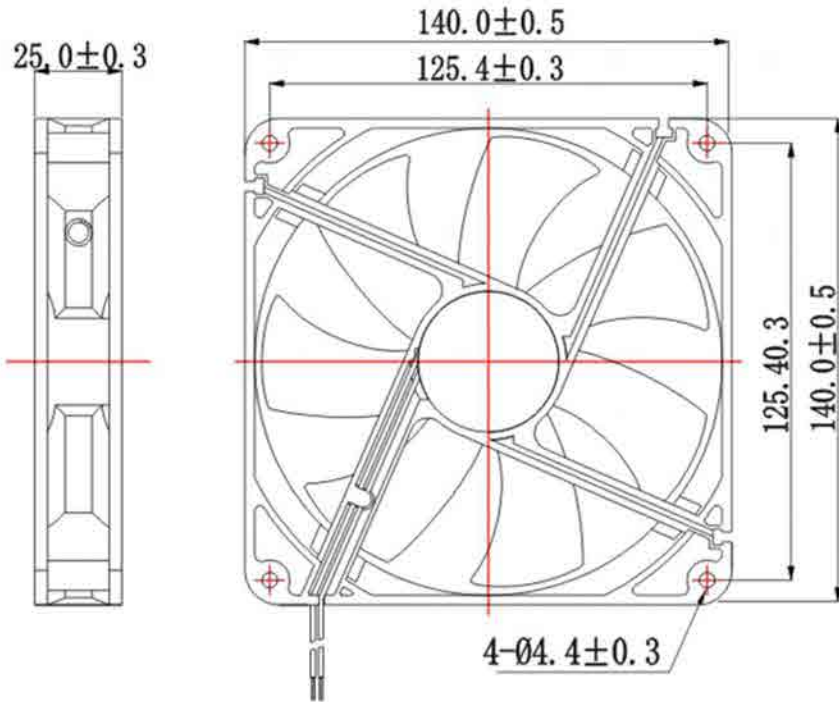
Model	Bearing Type	Rated Voltage	Current	Speed	Air Flow	Static Pressure	Noise Level	Weight
		VDC	A	RPM	CFM	mmH ₂ O	dBA	g
YDH1238X12	S or B	12	0.70	3800	206.34	13.86	56.65	255
YDM1238X12	S or B	12	0.40	3200	160.38	10.24	52.54	255
YDL1238X12	S or B	12	0.30	2600	134.62	6.80	47.58	255
YDH1238X24	S or B	24	0.60	3800	206.34	13.86	56.65	255
YDM1238X24	S or B	24	0.40	3200	160.38	10.24	52.54	255
YDL1238X24	S or B	24	0.20	2600	134.62	6.80	47.58	255
YDH1238X48	S or B	48	0.30	3800	206.34	13.86	56.65	255
YDM1238X48	S or B	48	0.20	3200	160.38	10.24	52.54	255
YDL1238X48	S or B	48	0.10	2600	134.62	6.80	47.58	255

1. Specifications subject to change without notice; 2. Design and provide products according to client's requirements.

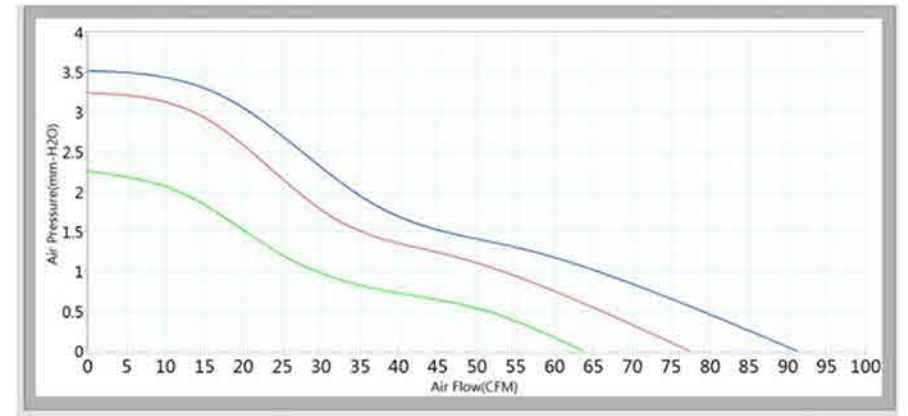


Dimensions Drawing

Unit:mm



Characteristic Curves



— 2000RPM

— 1700RPM

— 1400RPM

Specifications

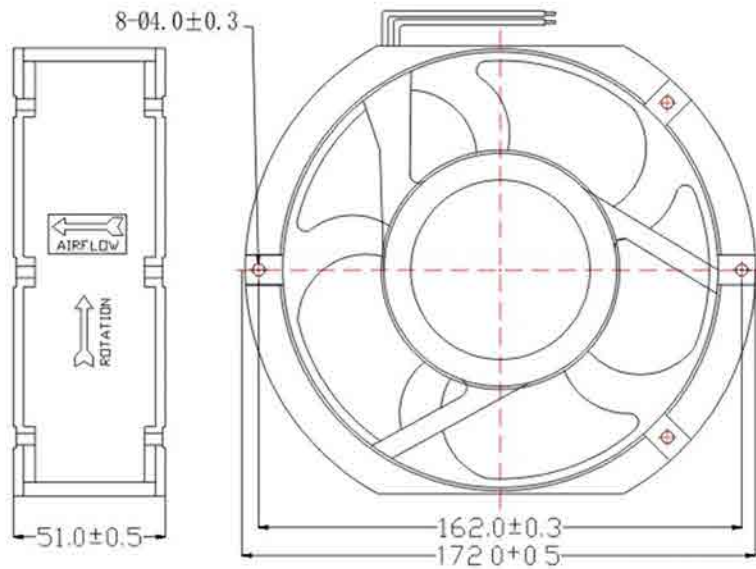
Model	Bearing Type	Rated Voltage	Current	Speed	Air Flow	Static Pressure	Noise Level	Weight
		VDC	A	RPM	CFM	mmH ₂ O	dBA	g
YDH1425X12	S or B	12	0.30	2000	91.25	3.52	37.30	167
YDM1425X12	S or B	12	0.25	1700	77.41	3.24	32.47	167
YDL1425X12	S or B	12	0.20	1400	63.75	2.26	29.85	167
YDH1425X24	S or B	24	0.23	2000	91.25	3.52	37.30	167
YDM1425X24	S or B	24	0.18	1700	77.41	3.24	32.47	167
YDL1425X24	S or B	24	0.13	1400	63.75	2.26	29.85	167

1. Specifications subject to change without notice; 2. Design and provide products according to client's requirements.

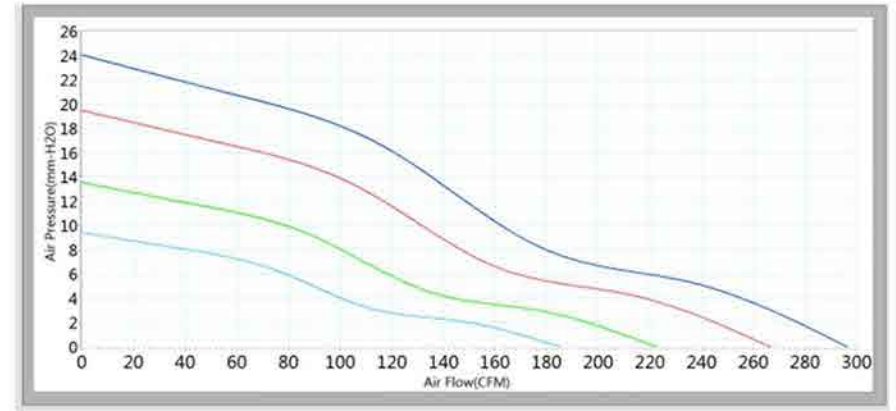


Dimensions Drawing

Unit:mm



Characteristic Curves



4000RPM
2500RPM

3500RPM

3000RPM

Specifications

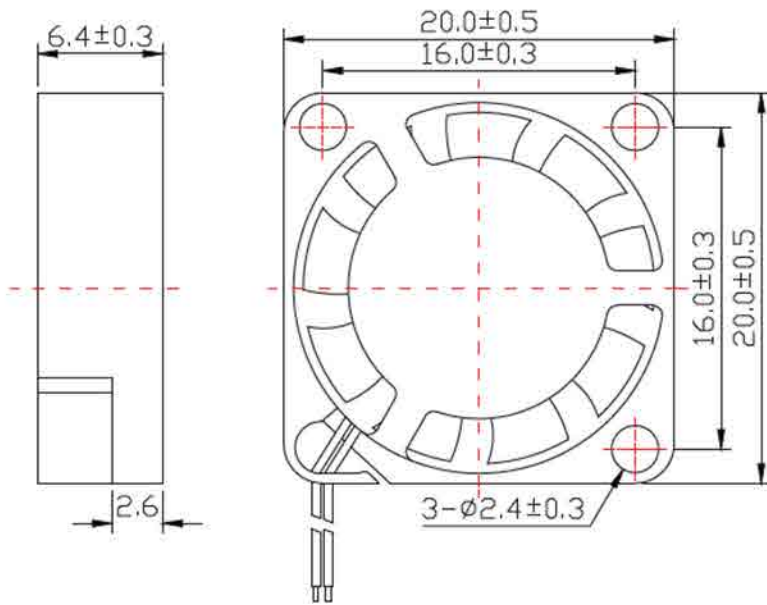
Model	Bearing Type	Rated Voltage	Current	Speed	Air Flow	Static Pressure	Noise Level	Weight
		VDC	A	RPM	CFM	mmH ₂ O	dBA	g
YDD1751X12	Ball	12	2.80	4000	296.50	24.04	74.40	760
YDH1751X12	Ball	12	2.00	3500	266.70	19.48	67.30	760
YDM1751X12	Ball	12	1.20	3000	222.60	13.54	55.80	760
YDL1751X12	Ball	12	0.80	2500	185.20	9.40	46.50	760
YDD1751X24	Ball	24	1.50	4000	296.50	24.04	74.40	760
YDH1751X24	Ball	24	1.00	3500	266.70	19.48	67.30	760
YDM1751X24	Ball	24	0.60	3000	222.60	13.54	55.80	760
YDL1751X24	Ball	24	0.40	2500	185.20	9.40	46.50	760
YDD1751X48	Ball	48	0.80	4000	296.50	24.04	74.40	760
YDH1751X48	Ball	48	0.60	3500	266.70	19.48	67.30	760
YDM1751X48	Ball	48	0.35	3000	222.60	13.54	55.80	760
YDL1751X48	Ball	48	0.25	2500	185.20	9.40	46.50	760



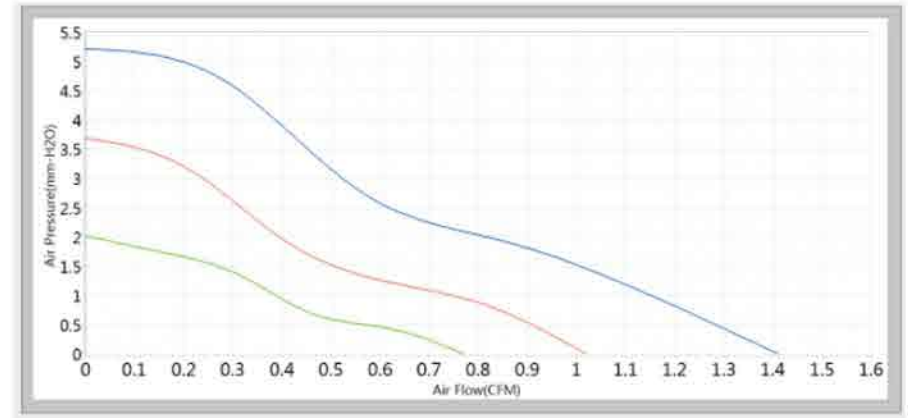
1. Specifications subject to change without notice; 2. Design and provide products according to client's requirements.

Dimensions Drawing

Unit:mm



Characteristic Curves



— 15000RPM — 12000RPM — 9000RPM

Specifications

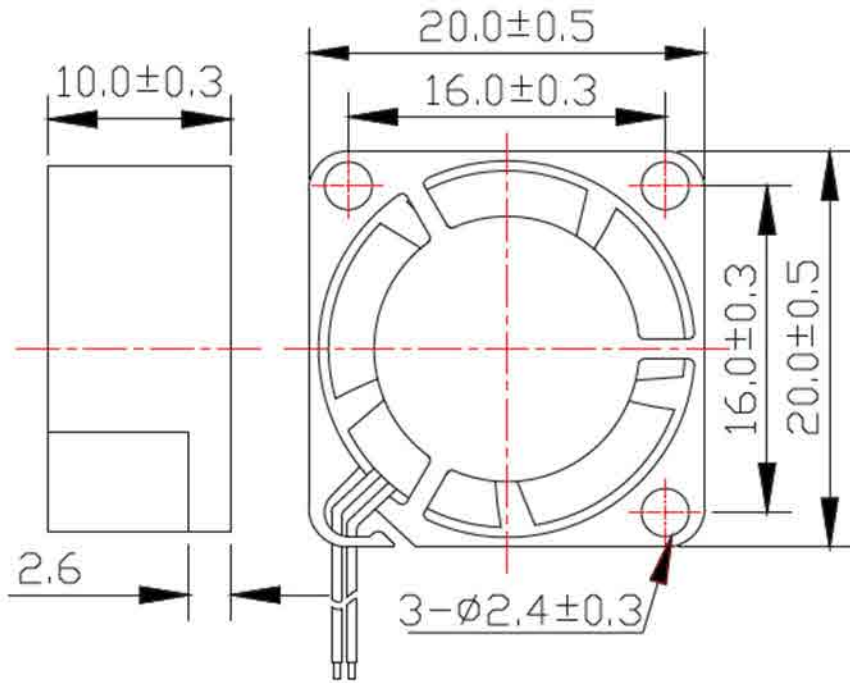
Model	Bearing Type	Rated Voltage	Current	Speed	Air Flow	Static Pressure	Noise Level	Weight
		VDC	A	RPM	CFM	mmH ₂ O	dBA	g
YDH2006S05	S	5	0.22	15000	1.41	5.22	33.65	4
YDM2006S05	S	5	0.17	12000	1.02	3.69	26.87	4
YDL2006S05	S	5	0.12	9000	0.77	2.02	20.34	4
YDH2006S12	S	12	0.12	15000	1.41	5.22	33.65	4
YDM2006S12	S	12	0.10	12000	1.02	3.69	26.87	4
YDL2006S12	S	12	0.06	9000	0.77	2.02	20.34	4

1. Specifications subject to change without notice; 2. Design and provide products according to client's requirements.

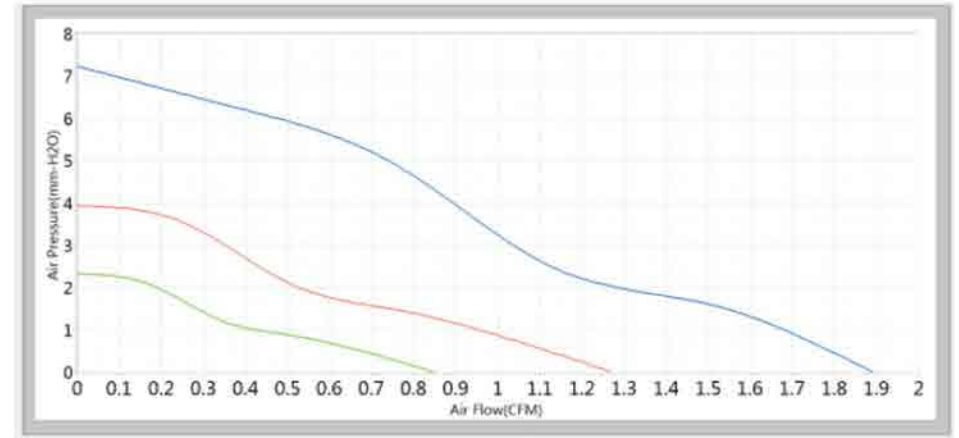


Dimensions Drawing

Unit:mm



Characteristic Curves



— 16000RPM — 12000RPM — 9000RPM

Specifications

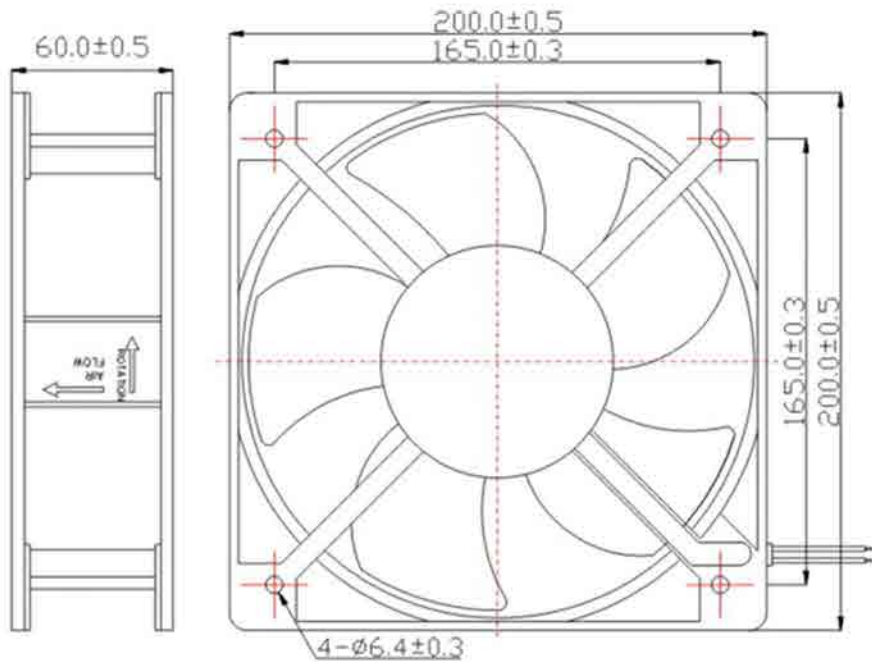
Model	Bearing Type	Rated Voltage	Current	Speed	Air Flow	Static Pressure	Noise Level	Weight
		VDC	A	RPM	CFM	mmH ₂ O	dBA	g
YDH2010X05	S	5	0.20	16000	1.89	7.23	37.28	5.5
YDM2010X05	S	5	0.15	12000	1.27	3.93	27.13	5.5
YDL2010X05	S	5	0.10	9000	0.85	2.32	20.55	5.5
YDH2010X12	S	12	0.15	16000	1.89	7.23	37.28	5.5
YDM2010X12	S	12	0.10	12000	1.27	3.93	27.13	5.5
YDL2010X12	S	12	0.07	9000	0.85	2.32	20.55	5.5

1.Specifications subject to change without notice; 2.Design and provide products according to client's requirements.

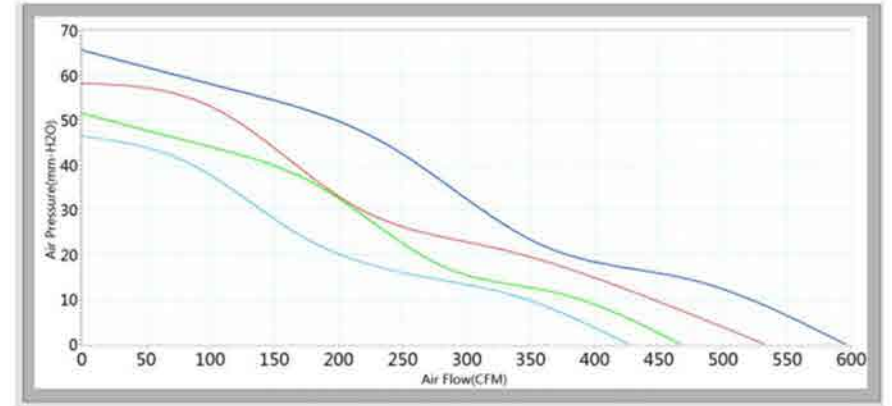


Dimensions Drawing

Unit:mm



Characteristic Curves



— 2800RPM
— 2000RPM

— 2500RPM

— 2200RPM

Specifications

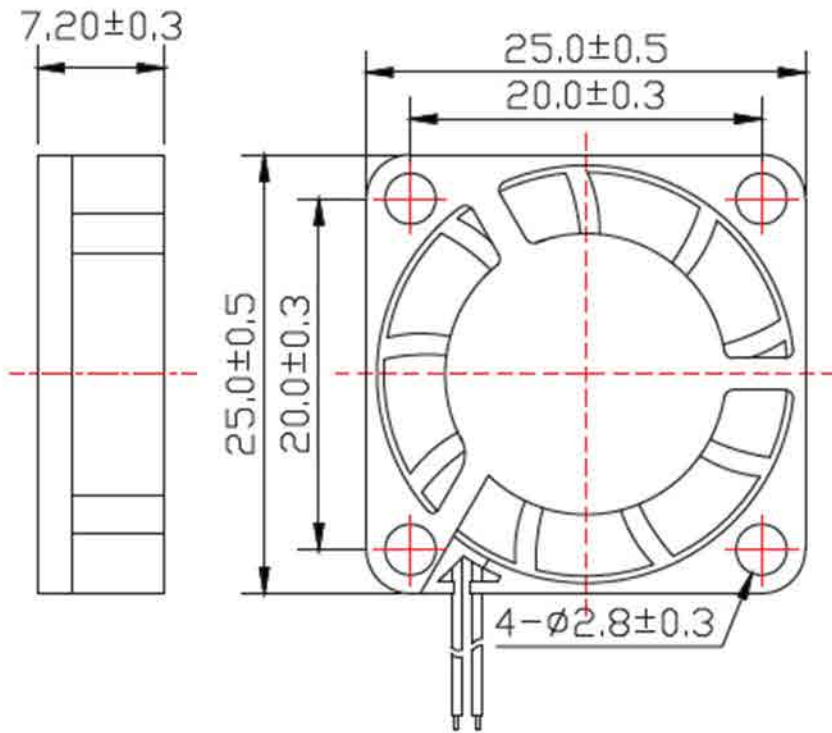
Model	Bearing Type	Rated Voltage	Current	Speed	Air Flow	Static Pressure	Noise Level	Weight
		VDC	A	RPM	CFM	mmH ₂ O	dB(A)	g
YDD2060X24	Ball	24	2.00	2800	595.20	65.60	74.40	1520
YDH2060X24	Ball	24	1.50	2500	532.40	58.20	67.60	1520
YDM2060X24	Ball	24	1.00	2200	467.10	51.50	55.80	1520
YDL2060X24	Ball	24	0.70	2000	425.90	46.40	46.50	1520
YDD2060X48	Ball	48	1.10	2800	595.20	65.60	74.40	1520
YDH2060X48	Ball	48	0.80	2500	532.40	58.20	67.60	1520
YDM2060X48	Ball	48	0.60	2200	467.10	51.50	55.80	1520
YDL2060X48	Ball	48	0.40	2000	425.90	46.40	46.50	1520



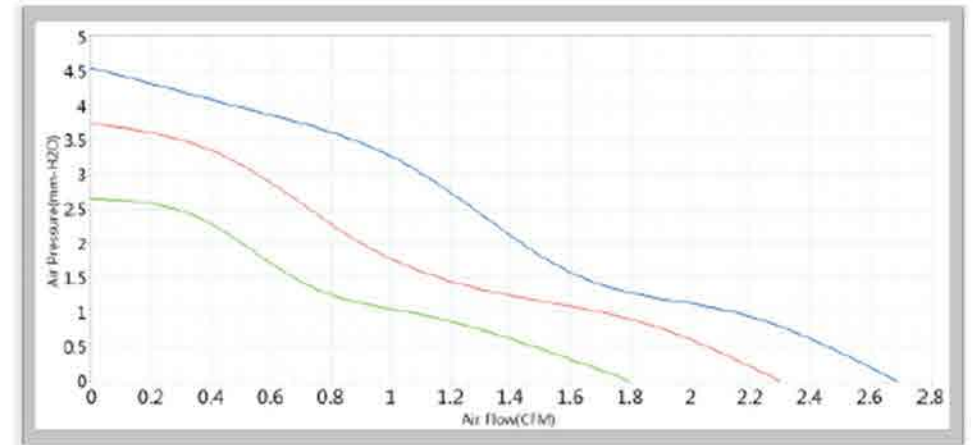
1. Specifications subject to change without notice; 2. Design and provide products according to client's requirements.

Dimensions Drawing

Unit:mm



Characteristic Curves



14000RPM

12000RPM

9000RPM

Specifications

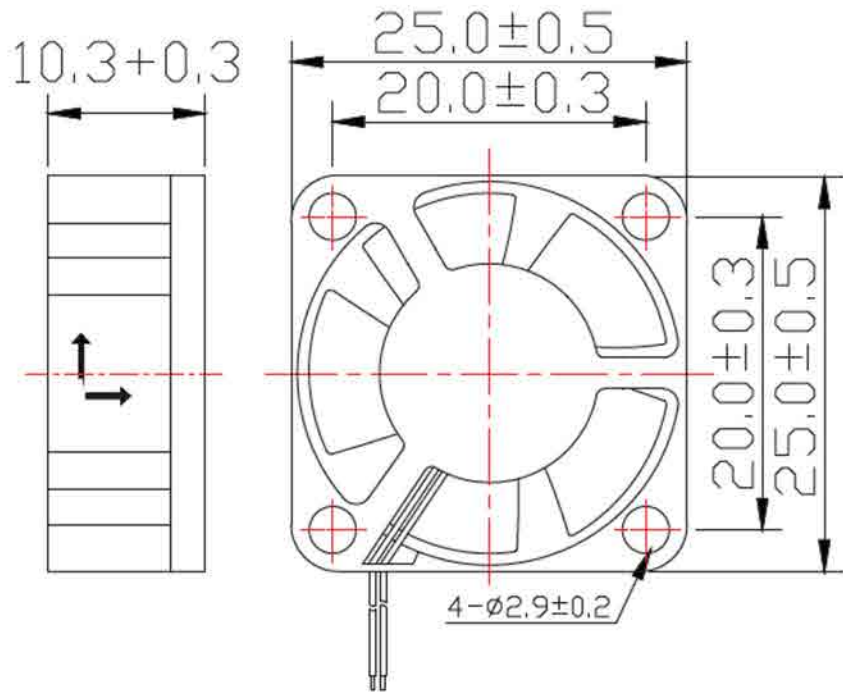
Model	Bearing Type	Rated Voltage	Current	Speed	Air Flow	Static Pressure	Noise Level	Weight
		VDC	A	RPM	CFM	mmH ₂ O	dBA	g
YDH2507X05	S	5	0.20	14000	2.69	4.55	26.40	6
YDM2507X05	S	5	0.16	12000	2.30	3.74	23.52	6
YDL2507X05	S	5	0.12	9000	1.80	2.64	20.58	6
YDH2507X12	S	12	0.15	14000	2.69	4.55	26.40	6
YDM2507X12	S	12	0.12	12000	2.30	3.74	23.52	6
YDL2507X12	S	12	0.09	9000	1.80	2.64	20.58	6

1.Specifications subject to change without notice; 2.Design and provide products according to client's requirements.

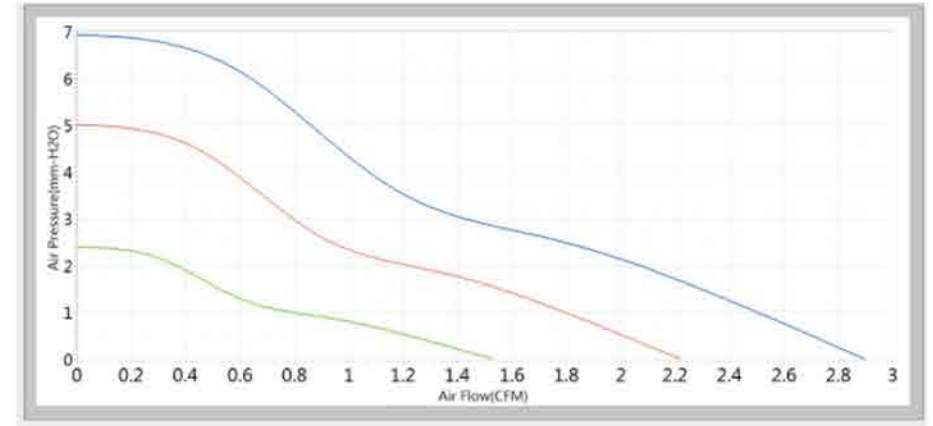


Dimensions Drawing

Unit:mm



Characteristic Curves



— 13000RPM — 10000RPM — 7000RPM

Specifications

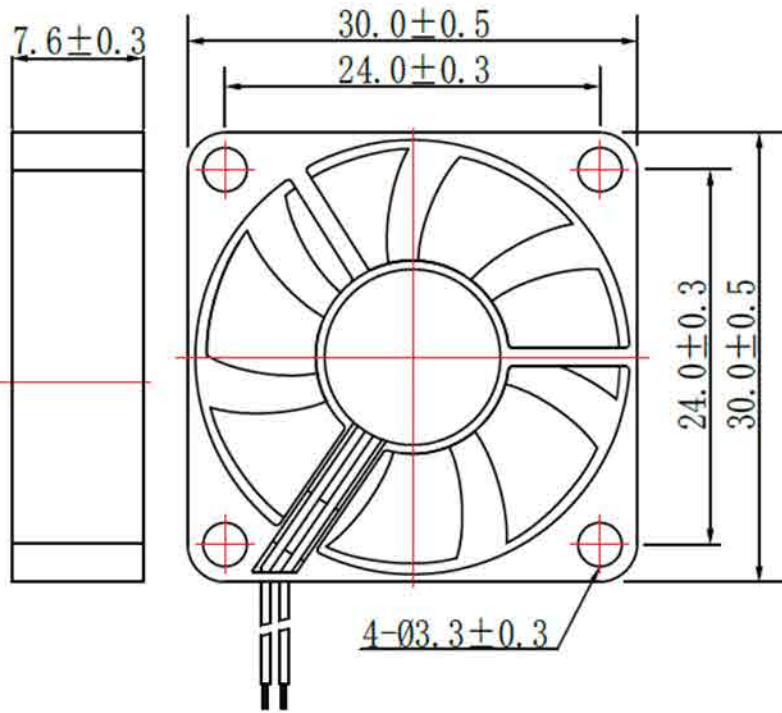
Model	Bearing Type	Rated Voltage	Current	Speed	Air Flow	Static Pressure	Noise Level	Weight
		VDC	A	RPM	CFM	mmH ₂ O	dBA	g
YDH2510X05	S or B	5	0.25	13000	2.90	6.93	30.78	6
YDM2510X05	S or B	5	0.20	10000	2.22	5.01	24.11	6
YDL2510X05	S or B	5	0.15	7000	1.53	2.40	18.97	6
YDH2510X12	S or B	12	0.20	13000	2.90	6.93	30.78	6
YDM2510X12	S or B	12	0.15	10000	2.22	5.01	24.11	6
YDL2510X12	S or B	12	0.10	7000	1.53	2.40	18.97	6

1. Specifications subject to change without notice; 2. Design and provide products according to client's requirements.

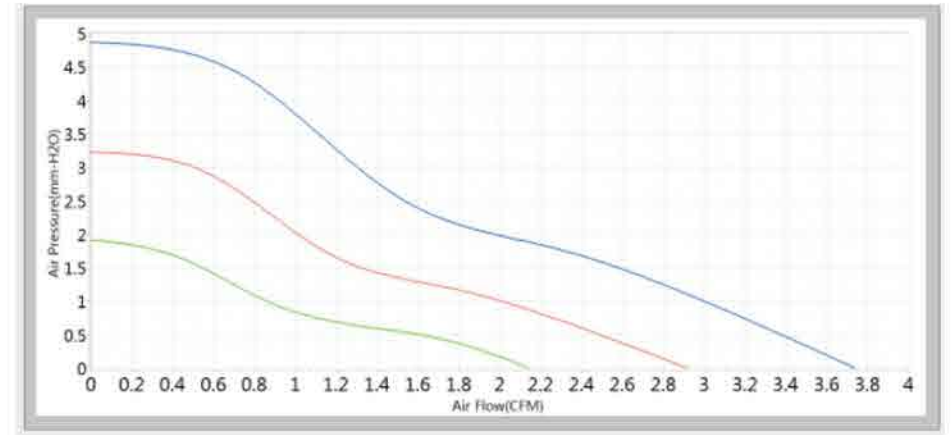


Dimensions Drawing

Unit:mm



Characteristic Curves



10000RPM

8000RPM

6000RPM

Specifications

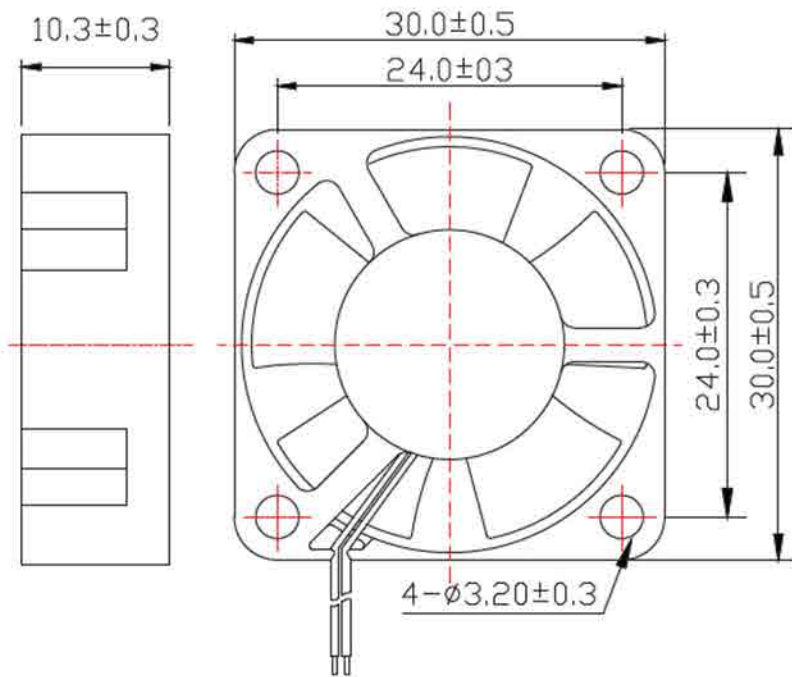
Model	Bearing Type	Rated Voltage	Current	Speed	Air Flow	Static Pressure	Noise Level	Weight
		VDC						
YDH3007X05	S	5	0.20	10000	3.74	4.87	29.74	7
YDM3007X05	S	5	0.16	8000	2.92	3.23	24.70	7
YDL3007X05	S	5	0.12	6000	2.15	1.92	20.27	7
YDH3007X12	S	12	0.12	10000	3.74	4.87	29.74	7
YDM3007X12	S	12	0.10	8000	2.92	3.23	24.70	7
YDL3007X12	S	12	0.08	6000	2.15	1.92	20.27	7



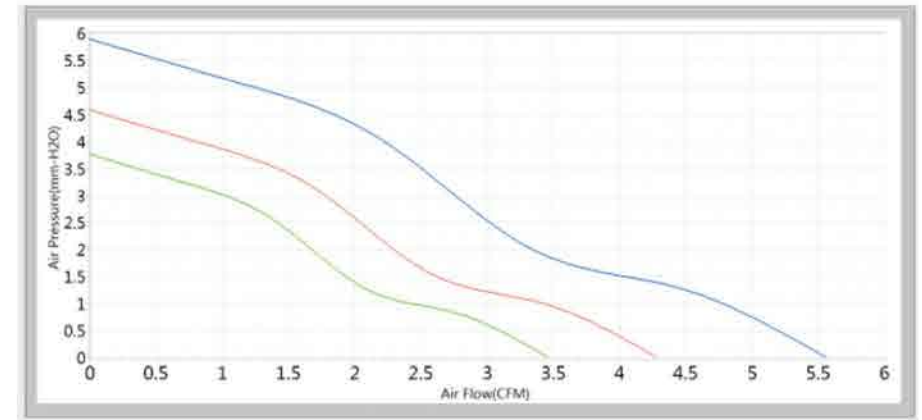
1. Specifications subject to change without notice; 2. Design and provide products according to client's requirements.

Dimensions Drawing

Unit:mm



Characteristic Curves



13000RPM

10000RPM

8000RPM

Specifications

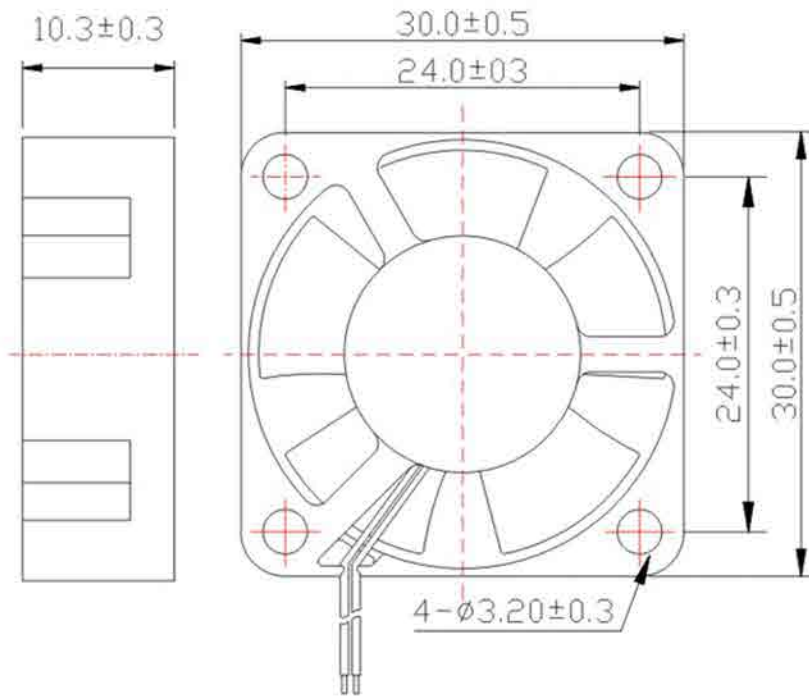
Model	Bearing Type	Rated Voltage	Current	Speed	Air Flow	Static Pressure	Noise Level	Weight
		VDC	A	RPM	CFM	mmH ₂ O	dBA	g
YDH3010X05	S or B	5	0.40	13000	5.56	5.89	33.50	8
YDM3010X05	S or B	5	0.25	10000	4.28	4.58	29.20	8
YDL3010X05	S or B	5	0.15	8000	3.46	3.76	26.50	8
YDH3010X12	S or B	12	0.16	13000	5.56	5.89	33.50	8
YDM3010X12	S or B	12	0.12	10000	4.28	4.58	29.20	8
YDL3010X12	S or B	12	0.08	8000	3.46	3.76	26.50	8



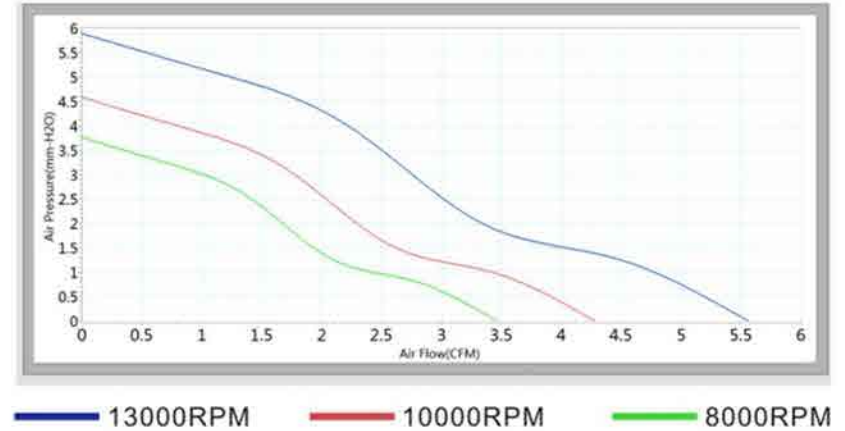
1. Specifications subject to change without notice; 2. Design and provide products according to client's requirements.

Dimensions Drawing

Unit:mm



Characteristic Curves



Specifications

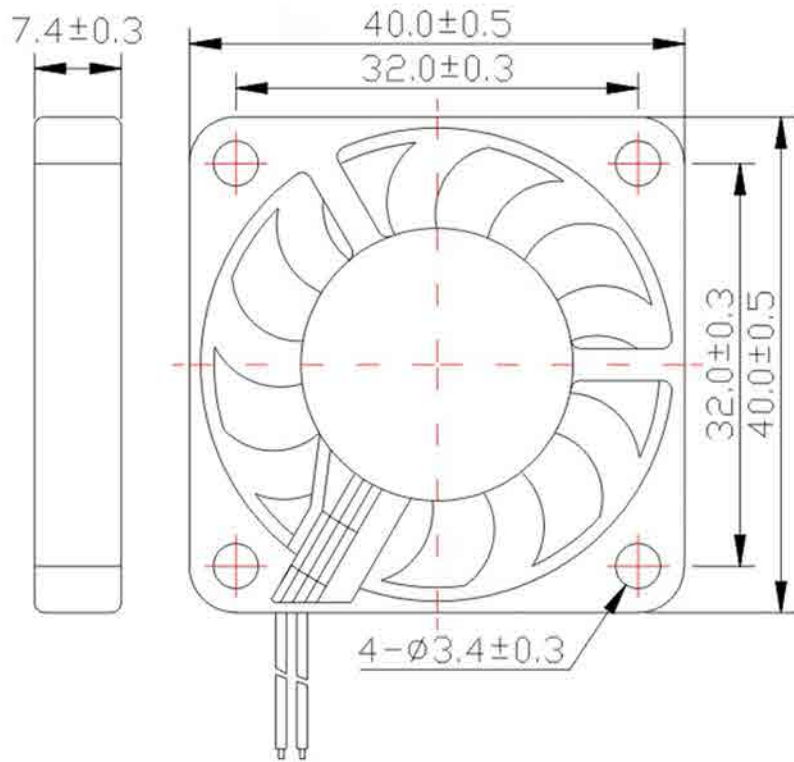
Model	Bearing Type	Rated Voltage	Current	Speed	Air Flow	Static Pressure	Noise Level	Weight
		VDC	A	RPM	CFM	mmH ₂ O	dBA	g
YDH3010X05	S or B	5	0.40	13000	5.56	5.89	33.50	8
YDM3010X05	S or B	5	0.25	10000	4.28	4.58	29.20	8
YDL3010X05	S or B	5	0.15	8000	3.46	3.76	26.50	8
YDH3010X12	S or B	12	0.16	13000	5.56	5.89	33.50	8
YDM3010X12	S or B	12	0.12	10000	4.28	4.58	29.20	8
YDL3010X12	S or B	12	0.08	8000	3.46	3.76	26.50	8



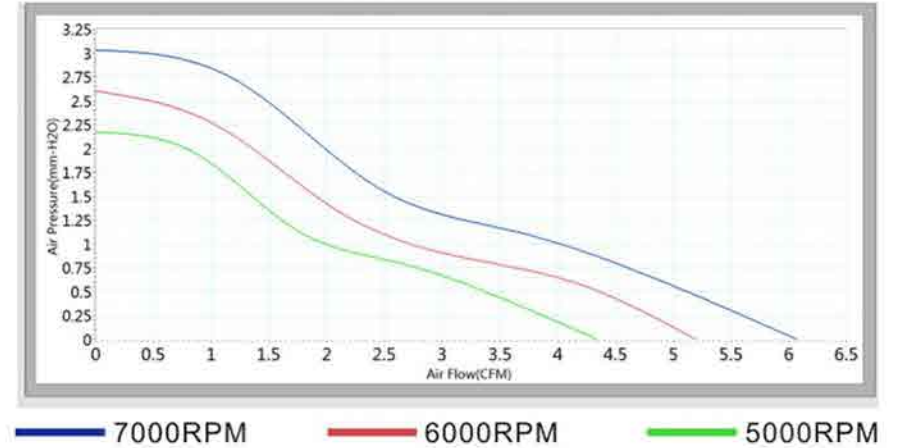
1.Specifications subject to change without notice; 2.Design and provide products according to client's requirements.

Dimensions Drawing

Unit:mm



Characteristic Curves



Specifications

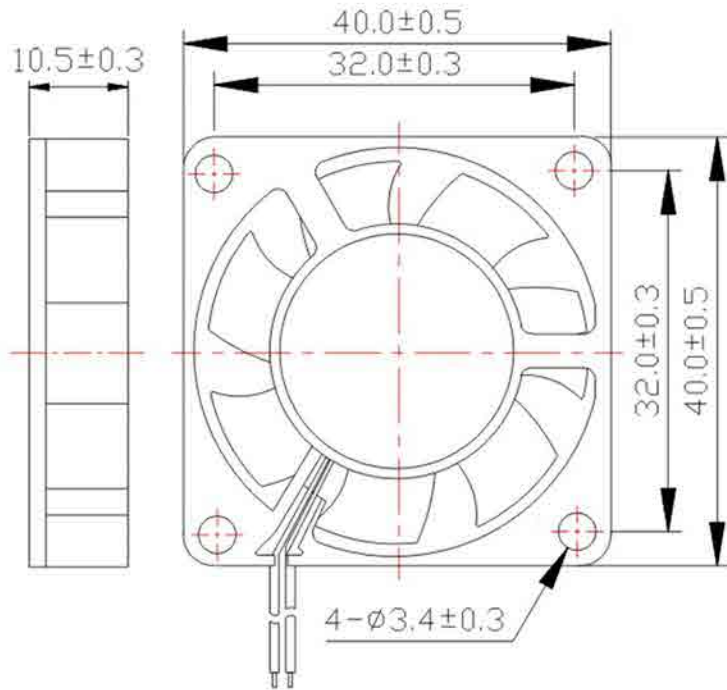
Model	Bearing Type	Rated Voltage	Current	Speed	Air Flow	Static Pressure	Noise Level	Weight
		VDC	A	RPM	CFM	mmH ₂ O	dBA	g
YDH4007X05	S	5	0.26	7000	6.07	3.03	31.59	8.5
YDM4007X05	S	5	0.20	6000	5.20	2.60	27.08	8.5
YDL4007X05	S	5	0.12	5000	4.34	2.17	22.57	8.5
YDH4007X12	S	12	0.13	7000	6.07	3.03	31.59	8.5
YDM4007X12	S	12	0.10	6000	5.20	2.60	27.08	8.5
YDL4007X12	S	12	0.07	5000	4.34	2.17	22.57	8.5



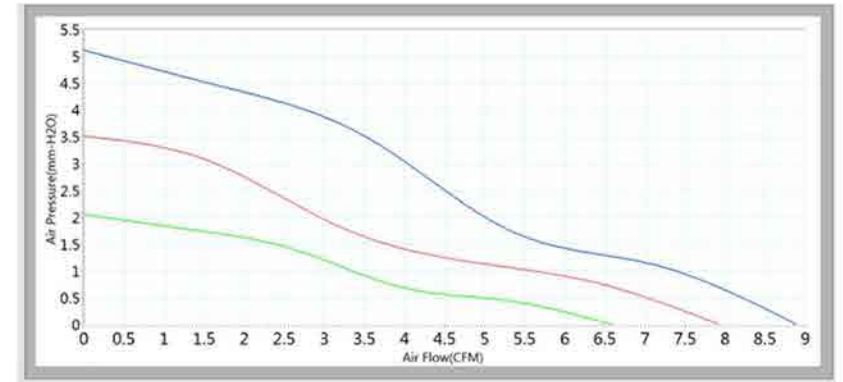
1. Specifications subject to change without notice; 2. Design and provide products according to client's requirements.

Dimensions Drawing

Unit:mm



Characteristic Curves



8000RPM

6500RPM

5000RPM

Specifications

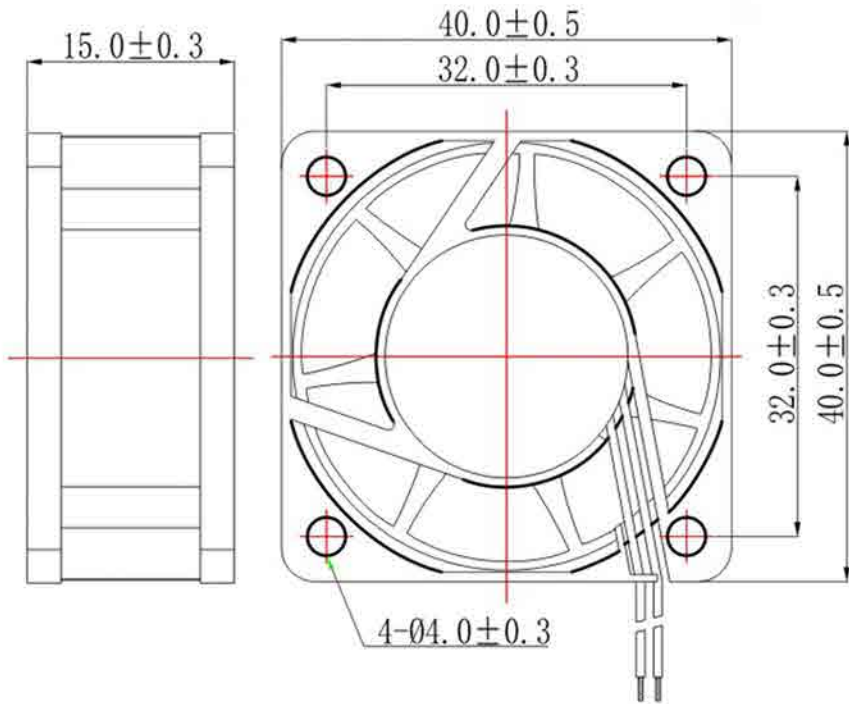
Model	Bearing Type	Rated Voltage	Current	Speed	Air Flow	Static Pressure	Noise Level	Weight
		VDC	A	RPM	CFM	mmH ₂ O	dBA	g
YDH4010X05	S or B	5	0.25	8000	8.89	5.11	33.14	17
YDM4010X05	S or B	5	0.20	6500	7.93	3.51	28.17	17
YDL4010X05	S or B	5	0.15	5000	6.59	2.05	25.29	17
YDH4010X12	S or B	12	0.20	8000	8.89	5.11	33.14	17
YDM4010X12	S or B	12	0.10	6500	7.93	3.51	28.17	17
YDL4010X12	S or B	12	0.04	5000	6.59	2.05	25.29	17
YDH4010X24	S or B	24	0.10	8000	8.89	5.11	33.14	17
YDM4010X24	S or B	24	0.06	6500	7.93	3.51	28.17	17
YDL4010X24	S or B	24	0.04	5000	6.59	2.05	25.29	17



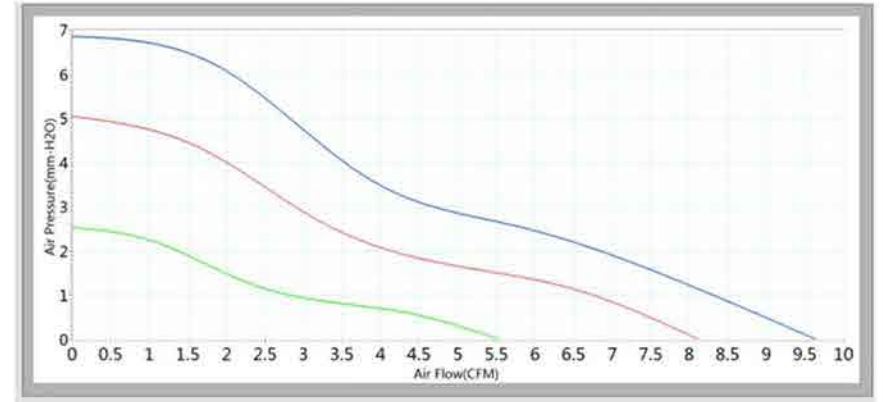
1. Specifications subject to change without notice; 2. Design and provide products according to client's requirements.

Dimensions Drawing

Unit:mm



Characteristic Curves



7500RPM

6500RPM

4500RPM

Specifications

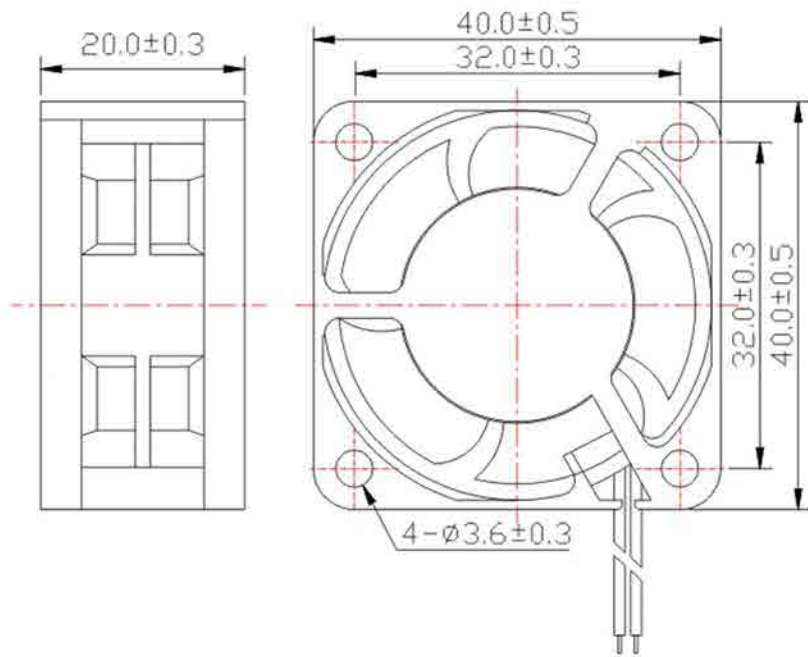
Model	Bearing Type	Rated Voltage	Current	Speed	Air Flow	Static Pressure	Noise Level	Weight
		VDC	A	RPM	CFM	mmH ₂ O	dBA	g
YDH4015X05	S or B	5	0.40	7500	9.64	6.85	33.52	23.5
YDM4015X05	S or B	5	0.30	6500	8.12	5.04	30.24	23.5
YDL4015X05	S or B	5	0.20	4500	5.53	2.53	21.71	23.5
YDH4015X12	S or B	12	0.26	7500	9.64	6.85	33.52	23.5
YDM4015X12	S or B	12	0.18	6500	8.12	5.04	30.24	23.5
YDL4015X12	S or B	12	0.10	4500	5.53	2.53	21.71	23.5
YDH4015X24	S or B	24	0.12	7500	9.64	6.85	33.52	23.5
YDM4015X24	S or B	24	0.10	6500	8.12	5.04	30.24	23.5
YDL4015X24	S or B	24	0.06	4500	5.53	2.53	21.71	23.5



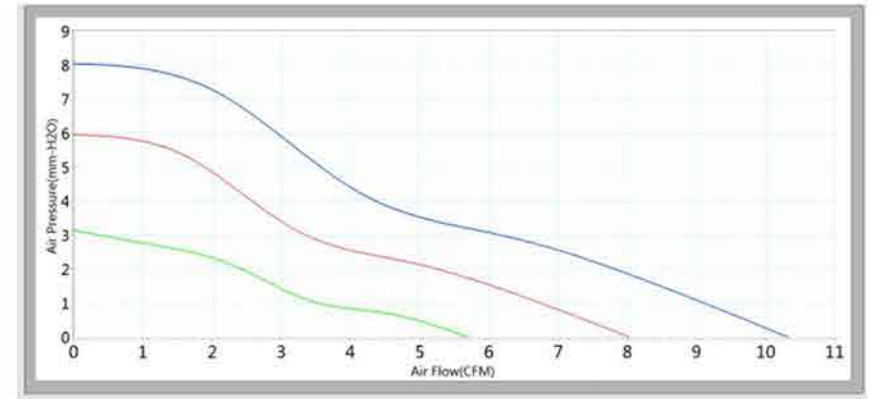
1. Specifications subject to change without notice; 2. Design and provide products according to client's requirements.

Dimensions Drawing

Unit:mm



Characteristic Curves



9000RPM

7000RPM

5000RPM

Specifications

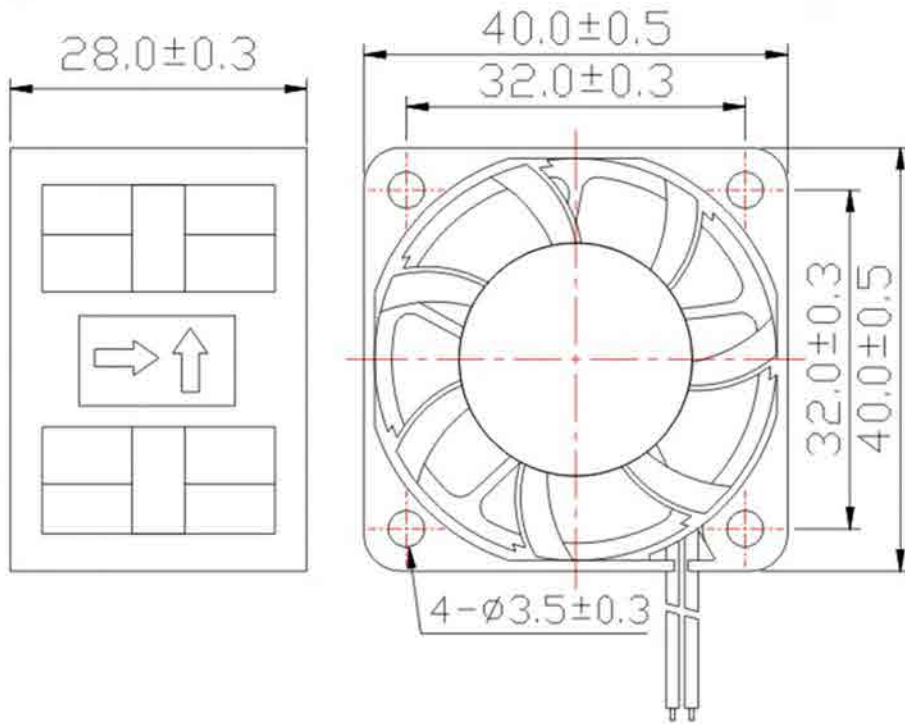
Model	Bearing Type	Rated Voltage	Current	Speed	Air Flow	Static Pressure	Noise Level	Weight
		VDC						
YDH4020X05	S or B	5	0.26	9000	10.32	8.04	37.95	23
YDM4020X05	S or B	5	0.20	7000	8.03	5.95	31.95	23
YDL4020X05	S or B	5	0.14	5000	5.70	3.14	23.46	23
YDH4020X12	S or B	12	0.10	9000	10.32	8.04	37.95	23
YDM4020X12	S or B	12	0.08	7000	8.03	5.95	31.95	23
YDL4020X12	S or B	12	0.04	5000	5.70	3.14	23.46	23
YDH4020X24	S or B	24	0.08	9000	10.32	8.04	37.95	23
YDM4020X24	S or B	24	0.06	7000	8.03	5.95	31.95	23
YDL4020X24	S or B	24	0.04	5000	5.70	3.14	23.46	23



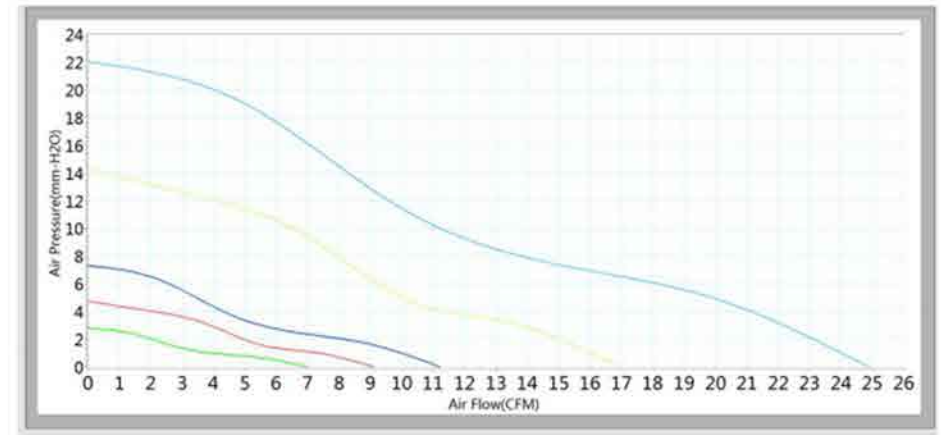
1. Specifications subject to change without notice; 2. Design and provide products according to client's requirements.

Dimensions Drawing

Unit:mm



Characteristic Curves



— 8000RPM — 6500RPM — 5000RPM
— 13000RPM — 10000RPM

Specifications

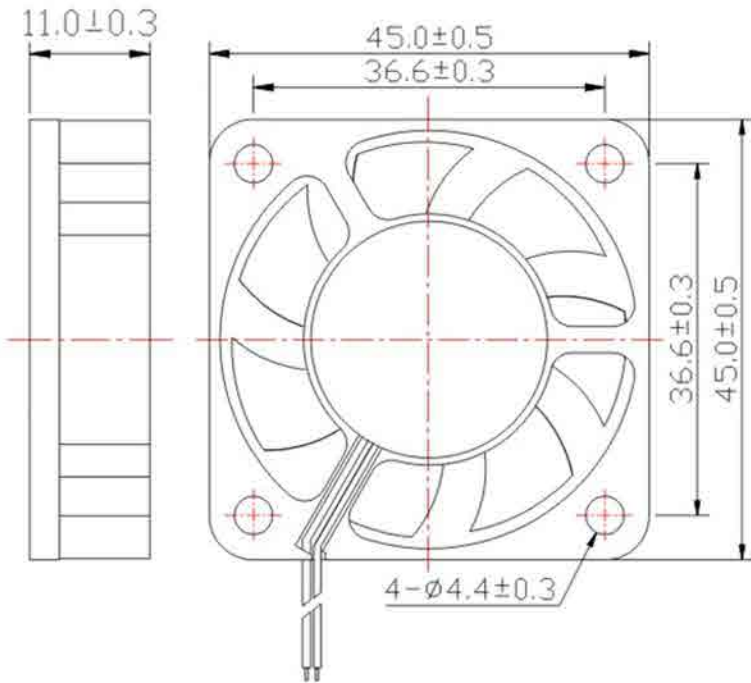
Model	Bearing Type	Rated Voltage	Current	Speed	Air Flow	Static Pressure	Noise Level	Weight
		VDC	A	RPM	CFM	mmH ₂ O	dB(A)	
YDH4028X05	S or B	5	0.40	8000	11.23	7.32	34.82	35
YDM4028X05	S or B	5	0.30	6500	9.12	4.75	29.86	35
YDL4028X05	S or B	5	0.25	5000	7.02	2.81	23.59	35
YDH4028X12	S or B	12	0.50	13000	24.89	22.01	57.47	35
YDM4028X12	S or B	12	0.30	10000	16.94	14.32	46.35	35
YDL4028X12	S or B	12	0.15	8000	11.23	7.32	34.82	35
YDH4028X24	S or B	24	0.25	13000	24.89	22.01	57.47	35
YDM4028X24	S or B	24	0.15	10000	16.94	14.32	46.35	35
YDL4028X24	S or B	24	0.10	8000	11.23	7.32	34.82	35



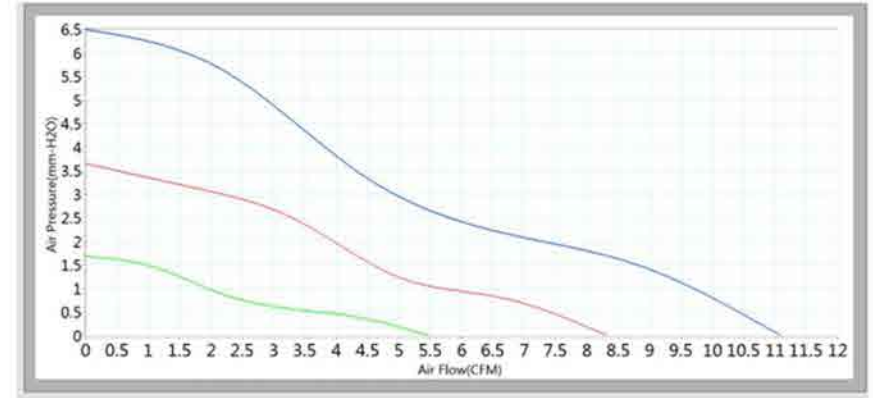
1. Specifications subject to change without notice; 2. Design and provide products according to client's requirements.

Dimensions Drawing

Unit:mm



Characteristic Curves



8000RPM

6000RPM

4000RPM

Specifications

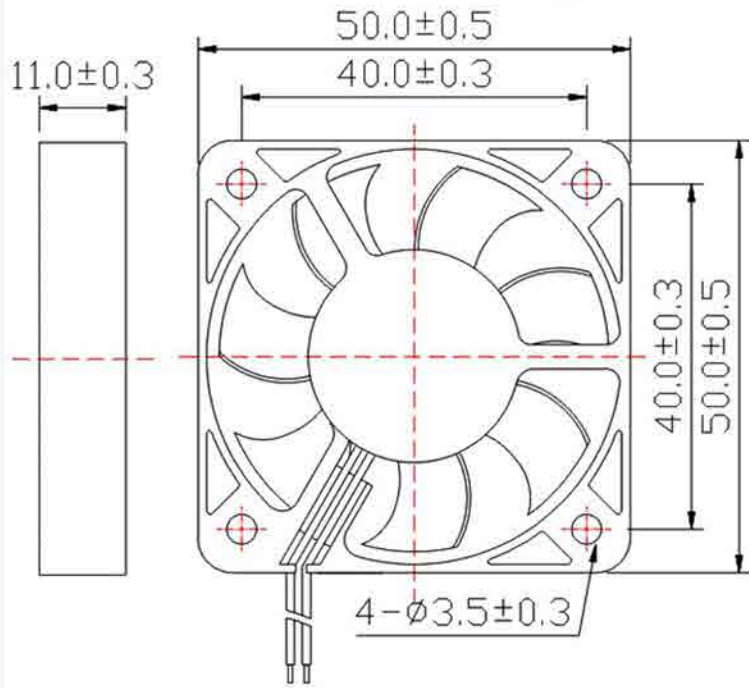
Model	Bearing Type	Rated Voltage	Current	Speed	Air Flow	Static Pressure	Noise Level	Weight
		VDC	A	RPM	CFM	mmH ₂ O	dBA	g
YDH4015X05	S or B	5	0.40	7500	9.64	6.85	33.52	23.5
YDM4015X05	S or B	5	0.30	6500	8.12	5.04	30.24	23.5
YDL4015X05	S or B	5	0.20	4500	5.53	2.53	21.71	23.5
YDH4015X12	S or B	12	0.26	7500	9.64	6.85	33.52	23.5
YDM4015X12	S or B	12	0.18	6500	8.12	5.04	30.24	23.5
YDL4015X12	S or B	12	0.10	4500	5.53	2.53	21.71	23.5
YDH4015X24	S or B	24	0.12	7500	9.64	6.85	33.52	23.5
YDM4015X24	S or B	24	0.10	6500	8.12	5.04	30.24	23.5
YDL4015X24	S or B	24	0.06	4500	5.53	2.53	21.71	23.5

1.Specifications subject to change without notice; 2.Design and provide products according to client's requirements.

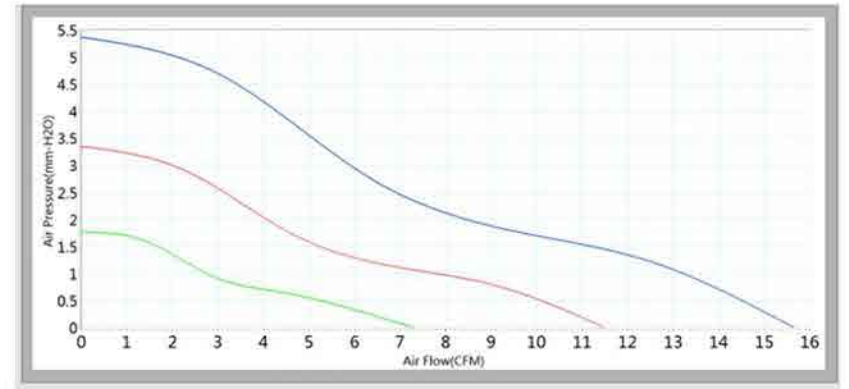


Dimensions Drawing

Unit:mm



Characteristic Curves



7500RPM

5500RPM

3500RPM

Specifications

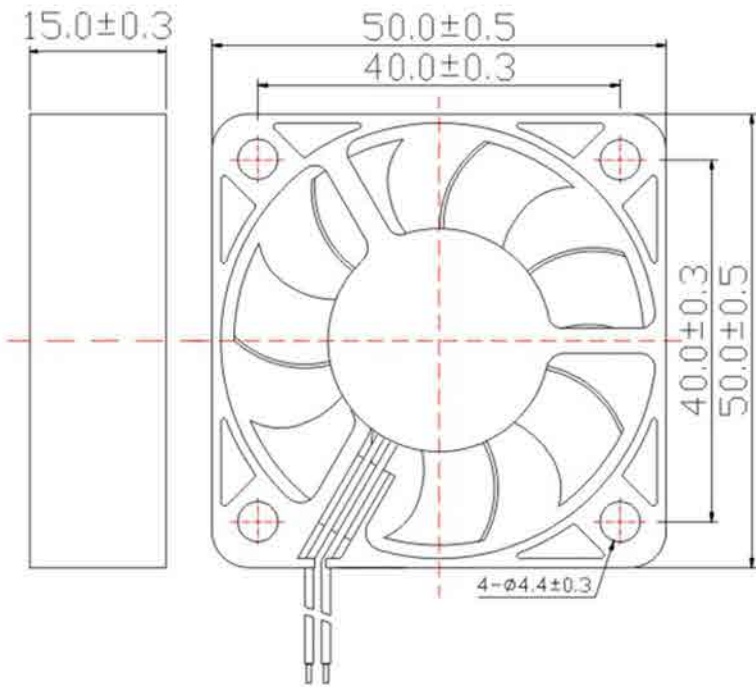
Model	Bearing Type	Rated Voltage	Current	Speed	Air Flow	Static Pressure	Noise Level	Weight
		VDC	A	RPM	CFM	mmH ₂ O	dBA	g
YDH5010X05	S or B	5	0.25	7500	15.66	5.37	37.47	20
YDM5010X05	S or B	5	0.20	5500	11.49	3.35	32.06	20
YDL5010X05	S or B	5	0.15	3500	7.30	1.77	22.82	20
YDH5010X12	S or B	12	0.17	7500	15.66	5.37	37.47	20
YDM5010X12	S or B	12	0.12	5500	11.49	3.35	32.06	20
YDL5010X12	S or B	12	0.06	3500	7.30	1.77	22.82	20
YDH5010X24	S or B	24	0.10	7500	15.66	5.37	37.47	20
YDM5010X24	S or B	24	0.08	5500	11.49	3.35	32.06	20
YDL5010X24	S or B	24	0.06	3500	7.30	1.77	22.82	20



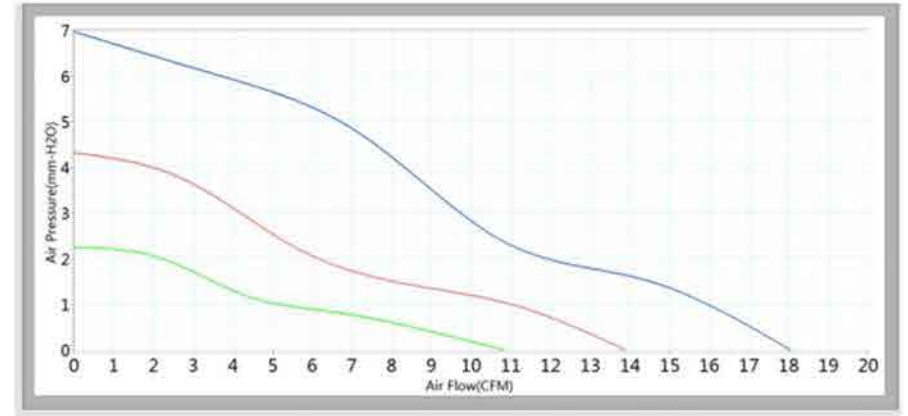
1. Specifications subject to change without notice; 2. Design and provide products according to client's requirements.

Dimensions Drawing

Unit:mm



Characteristic Curves



6500RPM

5000RPM

3500RPM

Specifications

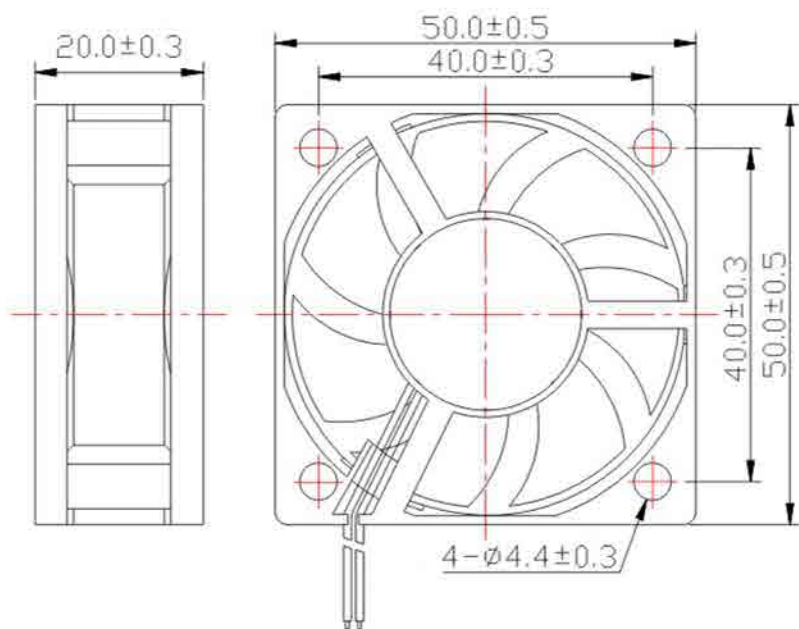
Model	Bearing Type	Rated Voltage	Current	Speed	Air Flow	Static Pressure	Noise Level	Weight
		VDC	A	RPM	CFM	mmH ₂ O	dBA	
YDH5015X05	S or B	5	0.30	6500	18.05	6.97	34.74	29
YDM5015X05	S or B	5	0.23	5000	13.89	4.32	28.48	29
YDL5015X05	S or B	5	0.17	3500	10.85	2.25	23.38	29
YDH5015X12	S or B	12	0.16	6500	18.05	6.97	34.74	29
YDM5015X12	S or B	12	0.12	5000	13.89	4.32	28.48	29
YDL5015X12	S or B	12	0.08	3500	10.85	2.25	23.38	29
YDH5015X24	S or B	24	0.10	6500	18.05	6.97	34.74	29
YDM5015X24	S or B	24	0.08	5000	13.89	4.32	28.48	29
YDL5015X24	S or B	24	0.06	3500	10.85	2.25	23.38	29



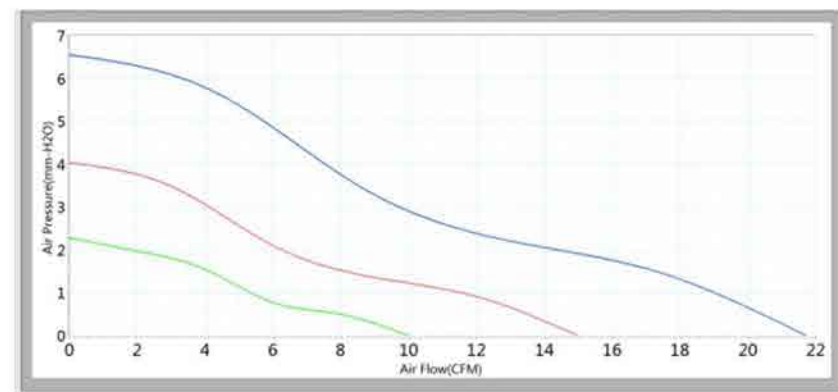
1.Specifications subject to change without notice; 2.Design and provide products according to client's requirements.

Dimensions Drawing

Unit:mm



Characteristic Curves



6000RPM

4500RPM

3000RPM

Specifications

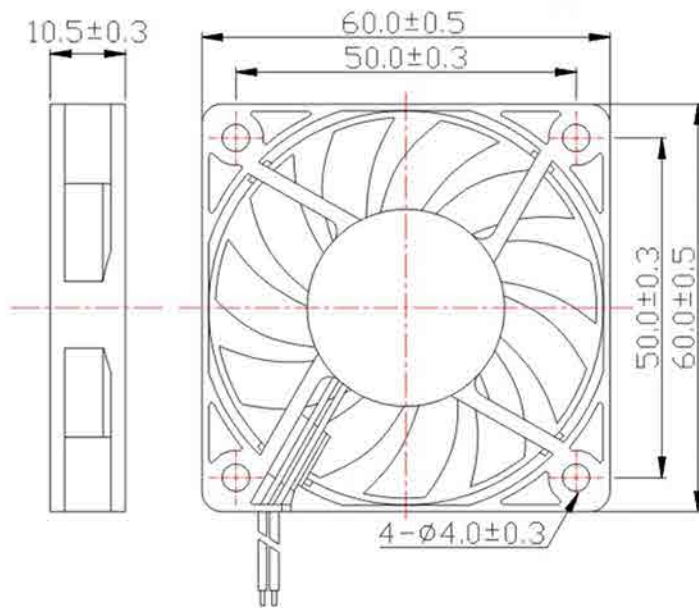
Model	Bearing Type	Rated Voltage	Current	Speed	Air Flow	Static Pressure	Noise Level	Weight
		VDC	A	RPM	CFM	mmH ₂ O	dBA	g
YDH5020X05	S or B	5	0.32	6000	21.71	6.55	35.08	32
YDM5020X05	S or B	5	0.26	4500	14.99	4.03	28.80	32
YDL5020X05	S or B	5	0.18	3000	9.99	2.28	21.72	32
YDH5020X12	S or B	12	0.20	6000	21.71	6.55	35.08	32
YDM5020X12	S or B	12	0.15	4500	14.99	4.03	28.80	32
YDL5020X12	S or B	12	0.09	3000	9.99	2.28	21.72	32
YDH5020X24	S or B	24	0.12	6000	21.71	6.55	35.08	32
YDM5020X24	S or B	24	0.08	4500	14.99	4.03	28.80	32
YDL5020X24	S or B	24	0.06	3000	9.99	2.28	21.72	32



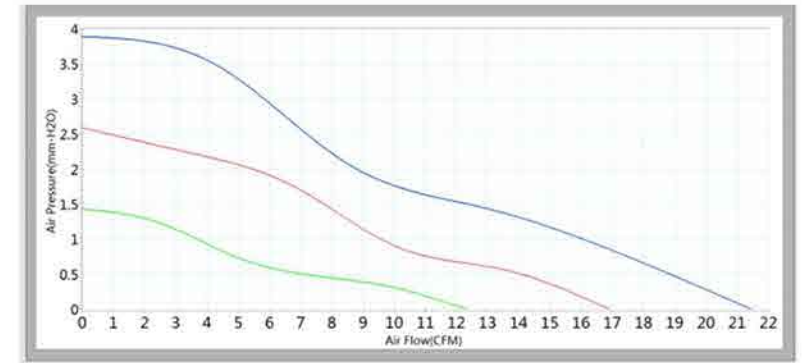
1. Specifications subject to change without notice; 2. Design and provide products according to client's requirements.

Dimensions Drawing

Unit:mm



Characteristic Curves



5000RPM

4000RPM

3000RPM

Specifications

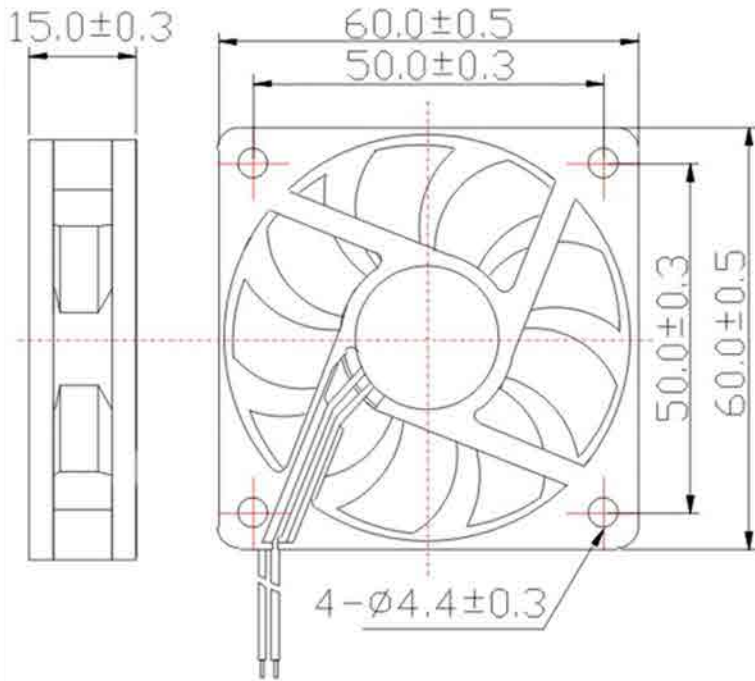
Model	Bearing Type	Rated Voltage	Current	Speed	Air Flow	Static Pressure	Noise Level	Weight
		VDC	A	RPM	CFM	mmH ₂ O	dBA	g
YDH6010X05	S or B	5	0.35	5000	21.45	3.89	36.08	27
YDM6010X05	S or B	5	0.30	4000	16.90	2.59	30.49	27
YDL6010X05	S or B	5	0.25	3000	12.30	1.43	23.54	27
YDH6010X12	S or B	12	0.30	5000	21.45	3.89	36.08	27
YDM6010X12	S or B	12	0.20	4000	16.90	2.59	30.49	27
YDL6010X12	S or B	12	0.10	3000	12.30	1.43	23.54	27
YDH6010X24	S or B	24	0.15	5000	21.45	3.89	36.08	27
YDM6010X24	S or B	24	0.12	4000	16.90	2.59	30.49	27
YDL6010X24	S or B	24	0.08	3000	12.30	1.43	23.54	27



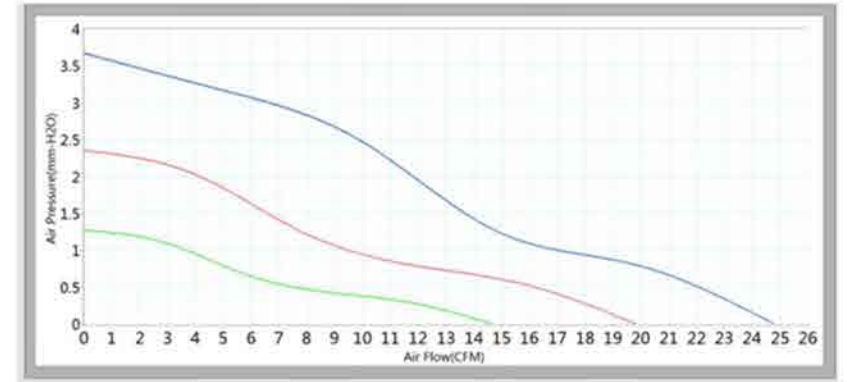
1. Specifications subject to change without notice; 2. Design and provide products according to client's requirements.

Dimensions Drawing

Unit:mm



Characteristic Curves



5000RPM

4000RPM

3000RPM

Specifications

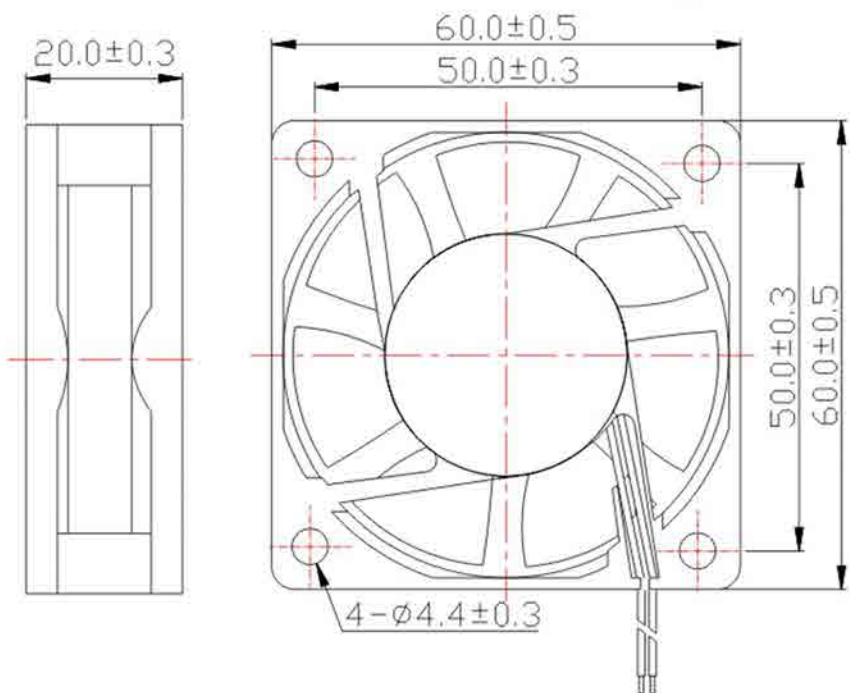
Model	Bearing Type	Rated Voltage	Current	Speed	Air Flow	Static Pressure	Noise Level	Weight
		VDC	A	RPM	CFM	mmH ₂ O	dBA	g
YDH6015X05	S or B	5	0.26	5000	24.79	3.67	37.96	33
YDM6015X05	S or B	5	0.20	4000	19.83	2.35	34.63	33
YDL6015X05	S or B	5	0.14	3000	14.67	1.27	28.54	33
YDH6015X12	S or B	12	0.30	5000	24.79	3.67	37.96	33
YDM6015X12	S or B	12	0.20	4000	19.83	2.35	34.63	33
YDL6015X12	S or B	12	0.10	3000	14.67	1.27	28.54	33
YDH6015X24	S or B	24	0.15	5000	24.79	3.67	37.96	33
YDM6015X24	S or B	24	0.12	4000	19.83	2.35	34.63	33
YDL6015X24	S or B	24	0.08	3000	14.67	1.27	28.54	33



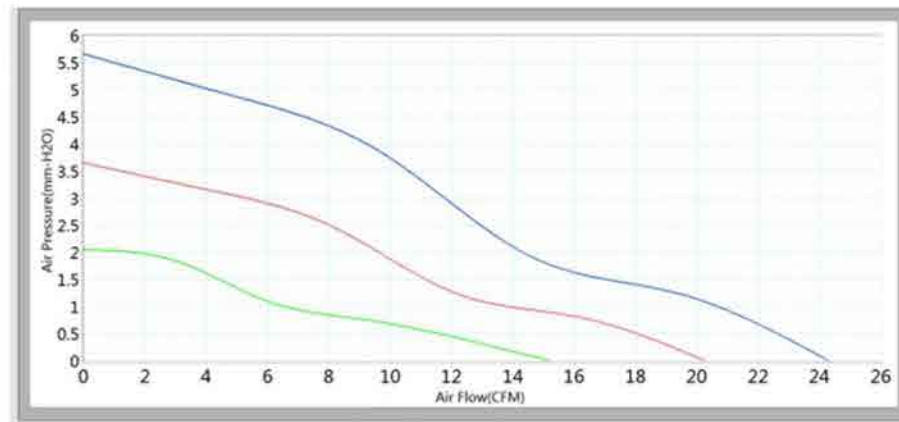
1. Specifications subject to change without notice; 2. Design and provide products according to client's requirements.

Dimensions Drawing

Unit:mm



Characteristic Curves



5000RPM

4000RPM

3000RPM

Specifications

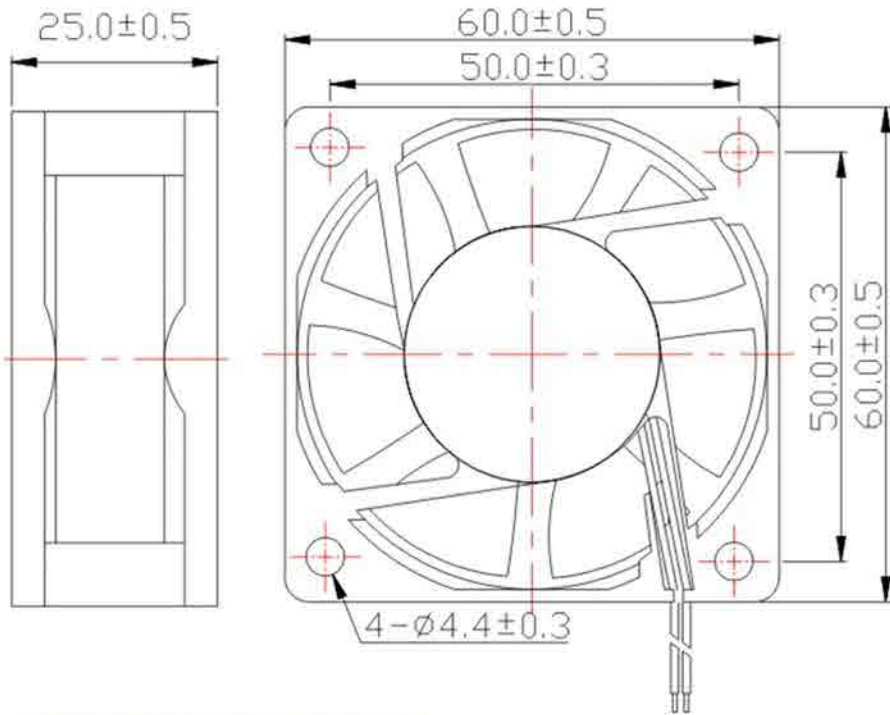
Model	Bearing Type	Rated Voltage	Current	Speed	Air Flow	Static Pressure	Noise Level	Weight
		VDC	A	RPM	CFM	mmH ₂ O	dBA	g
YDH6020X05	S or B	5	0.40	5000	24.31	5.66	34.37	49
YDM6020X05	S or B	5	0.30	4000	20.28	3.65	29.04	49
YDL6020X05	S or B	5	0.20	3000	15.21	2.05	22.17	49
YDH6020X12	S or B	12	0.45	5000	24.31	5.66	34.37	49
YDM6020X12	S or B	12	0.30	4000	20.28	3.65	29.04	49
YDL6020X12	S or B	12	0.15	3000	15.21	2.05	22.17	49
YDH6020X24	S or B	24	0.12	5000	24.31	5.66	34.37	49
YDM6020X24	S or B	24	0.08	4000	20.28	3.65	29.04	49
YDL6020X24	S or B	24	0.05	3000	15.21	2.05	22.17	49



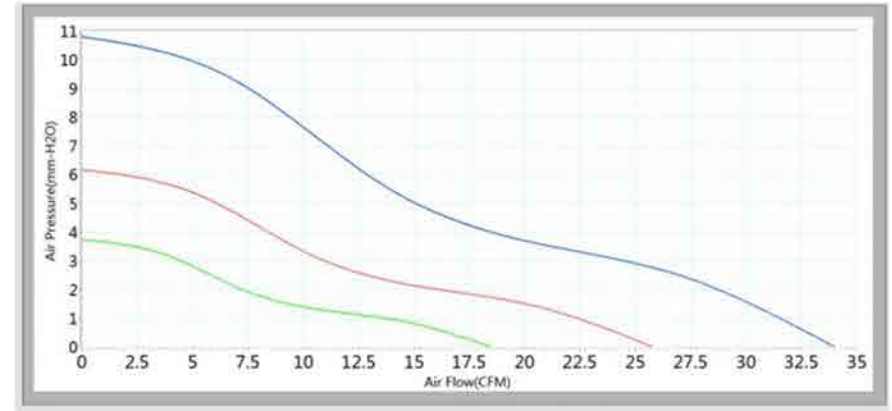
1. Specifications subject to change without notice; 2. Design and provide products according to client's requirements.

Dimensions Drawing

Unit:mm



Characteristic Curves



6000RPM

4500RPM

3000RPM

Specifications

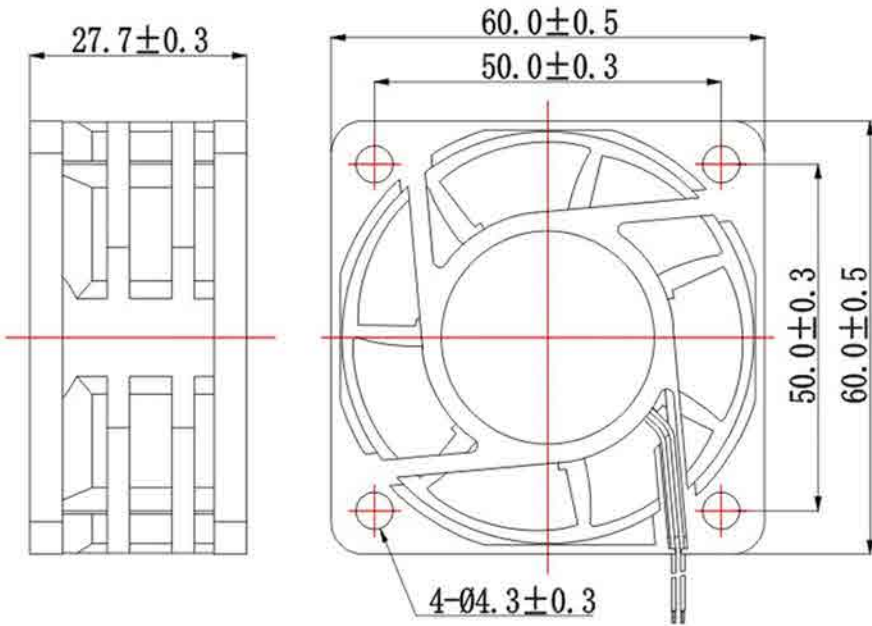
Model	Bearing Type	Rated Voltage	Current	Speed	Air Flow	Static Pressure	Noise Level	Weight
		VDC	A	RPM	CFM	mmH ₂ O	dBA	g
YDH6025X12	S or B	12	0.30	6000	33.98	10.79	45.52	60
YDM6025X12	S or B	12	0.20	4500	25.77	6.16	37.21	60
YDL6025X12	S or B	12	0.10	3000	18.48	3.73	27.41	60
YDH6025X24	S or B	24	0.20	6000	33.98	10.79	45.52	60
YDM6025X24	S or B	24	0.15	4500	25.77	6.16	37.21	60
YDL6025X24	S or B	24	0.10	3000	18.48	3.73	27.41	60
YDH6025X48	S or B	48	0.15	6000	33.98	10.79	45.52	60
YDM6025X48	S or B	48	0.10	4500	25.77	6.16	37.21	60
YDL6025X48	S or B	48	0.06	3000	18.48	3.73	27.41	60



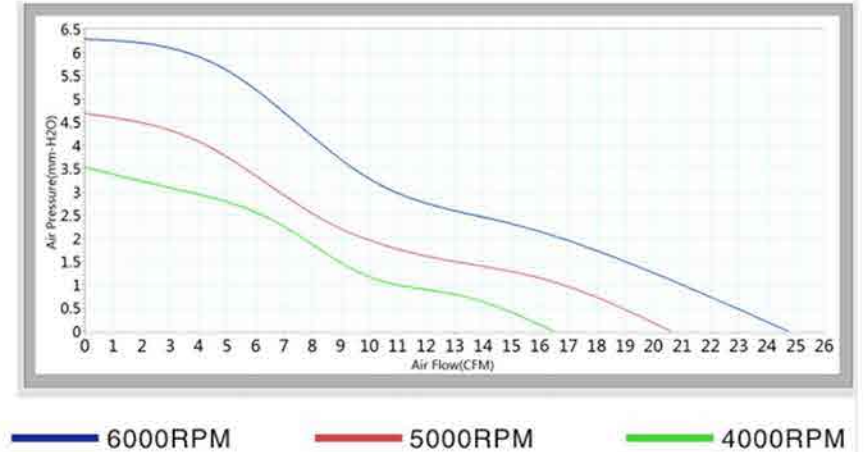
1. Specifications subject to change without notice; 2. Design and provide products according to client's requirements.

Dimensions Drawing

Unit:mm



Characteristic Curves



Specifications

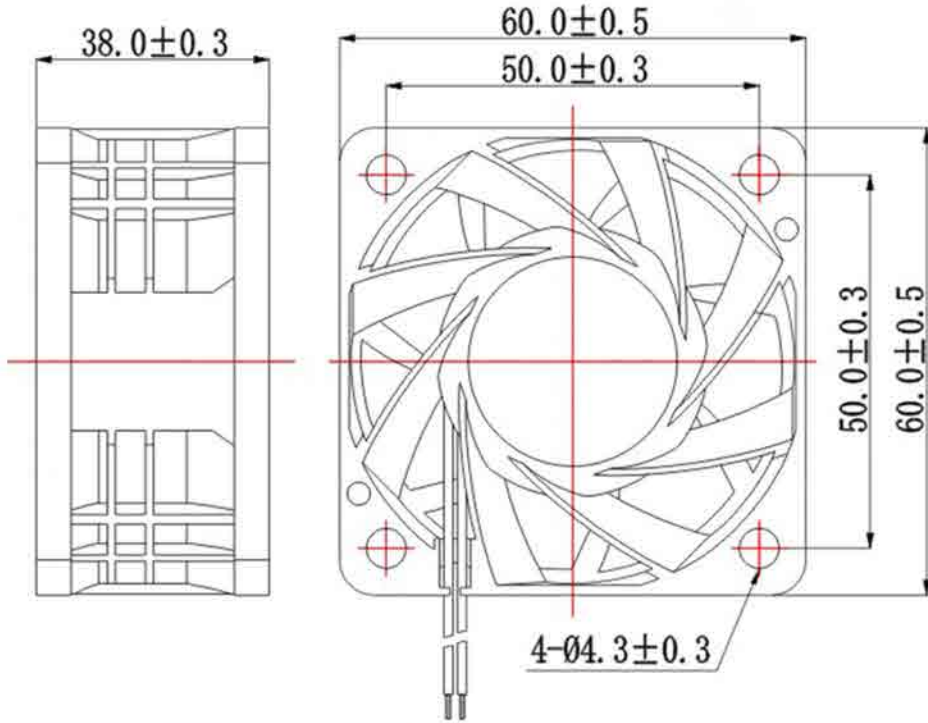
Model	Bearing Type	Rated Voltage	Current	Speed	Air Flow	Static Pressure	Noise Level	Weight
		VDC	A	RPM	CFM	mmH ₂ O	dBA	g
YDH6028X12	S or B	12	0.30	6000	24.74	6.28	41.26	68
YDM6028X12	S or B	12	0.20	5000	20.62	4.68	37.80	68
YDL6028X12	S or B	12	0.10	4000	16.50	3.52	32.47	68
YDH6028X24	S or B	24	0.15	6000	24.74	6.28	41.26	68
YDM6028X24	S or B	24	0.10	5000	20.62	4.68	37.80	68
YDL6028X24	S or B	24	0.06	4000	16.50	3.52	32.47	68
YDH6028X48	S or B	48	0.08	6000	24.74	6.28	41.26	68
YDM6028X48	S or B	48	0.06	5000	20.62	4.68	37.80	68
YDL6028X48	S or B	48	0.04	4000	16.50	3.52	32.47	68



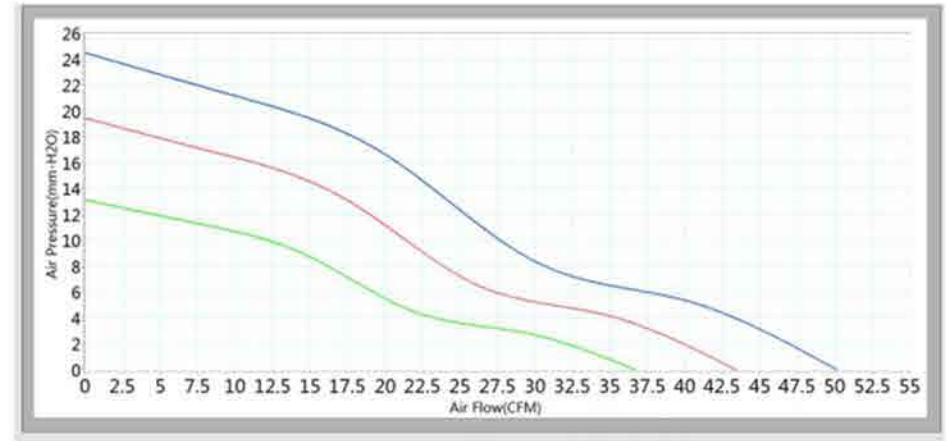
1. Specifications subject to change without notice; 2. Design and provide products according to client's requirements.

Dimensions Drawing

Unit:mm



Characteristic Curves



8000RPM

7000RPM

6000RPM

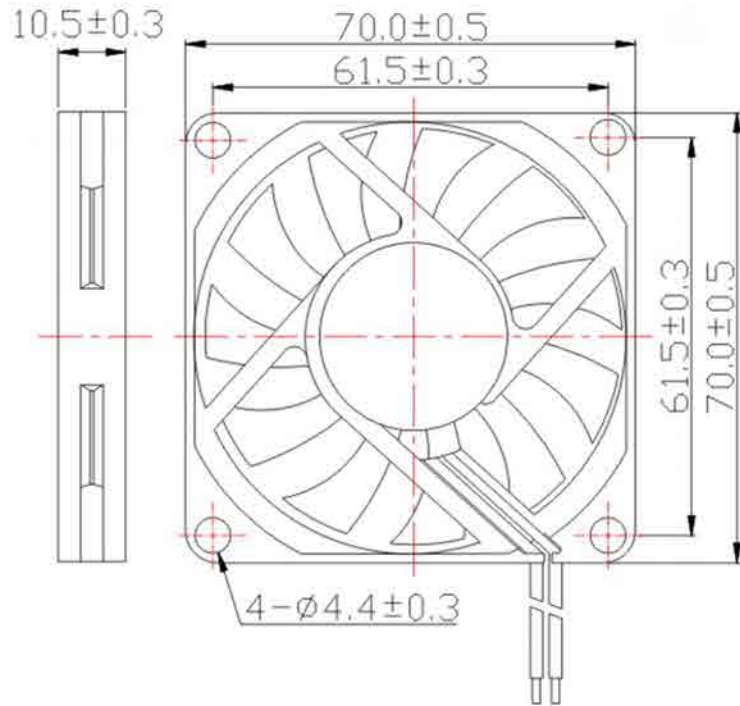
Specifications

Model	Bearing Type	Rated Voltage	Current	Speed	Air Flow	Static Pressure	Noise Level	Weight
		VDC	A	RPM	CFM	mmH ₂ O	dBA	g
YDH6038X12	S or B	12	1.00	8000	50.15	24.49	55.32	85
YDM6038X12	S or B	12	0.75	7000	43.44	19.44	51.28	85
YDL6038X12	S or B	12	0.52	6000	36.73	13.13	47.63	85
YDH6038X24	S or B	24	0.50	8000	50.15	24.49	55.32	85
YDM6038X24	S or B	24	0.39	7000	43.44	19.44	51.28	85
YDL6038X24	S or B	24	0.25	6000	36.73	13.13	47.63	85
YDH6038X48	S or B	48	0.26	8000	50.15	24.49	55.32	85
YDM6038X48	S or B	48	0.19	7000	43.44	19.44	51.28	85
YDL6038X48	S or B	48	0.12	6000	36.73	13.13	47.63	85

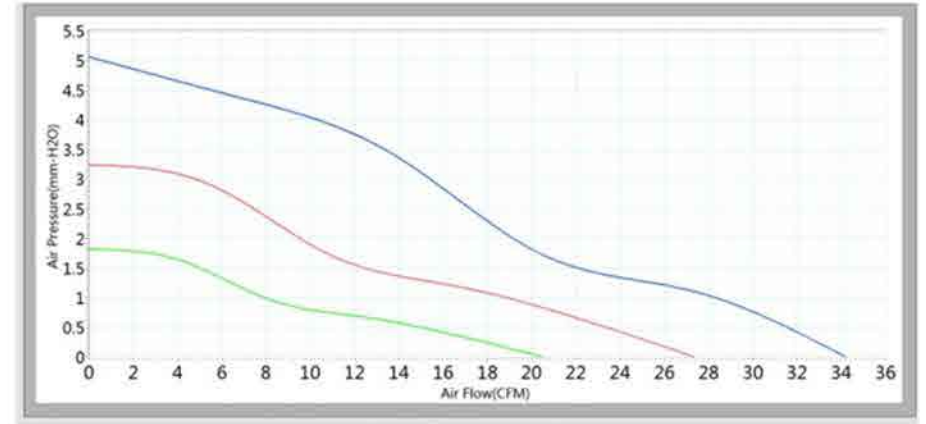


Dimensions Drawing

Unit:mm



Characteristic Curves



— 5000RPM

— 4000RPM

— 3000RPM

Specifications

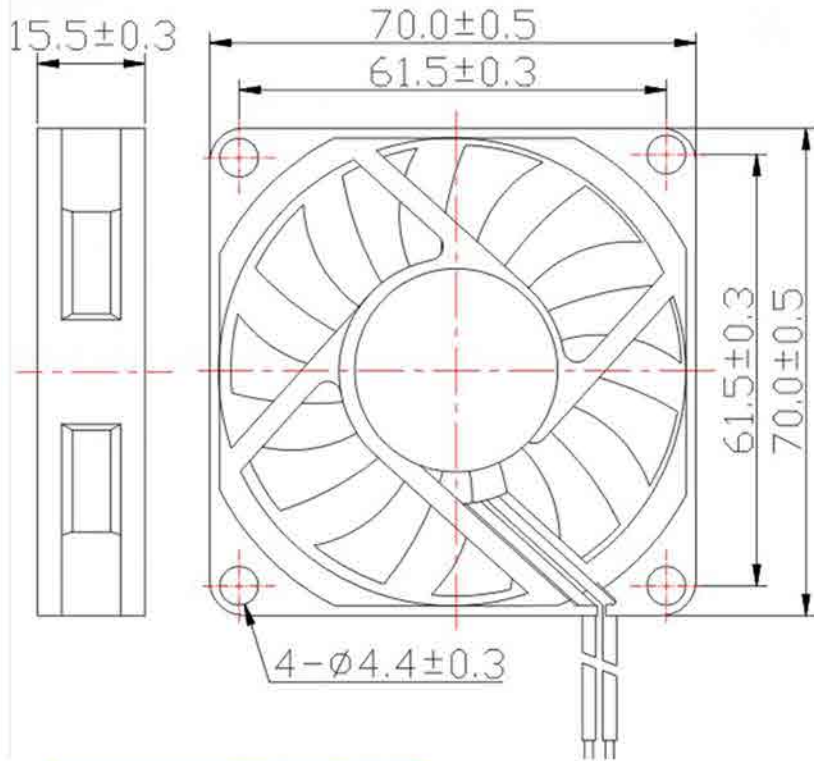
Model	Bearing Type	Rated Voltage	Current	Speed	Air Flow	Static Pressure	Noise Level	Weight
		VDC	A	RPM	CFM	mmH ₂ O	dBA	g
YDH7010X05	S or B	5	0.40	5000	34.20	5.06	37.56	33
YDM7010X05	S or B	5	0.30	4000	27.36	3.24	31.82	33
YDL7010X05	S or B	5	0.20	3000	20.52	1.82	26.95	33
YDH7010X12	S or B	12	0.21	5000	34.20	5.06	37.56	33
YDM7010X12	S or B	12	0.14	4000	27.36	3.24	31.82	33
YDL7010X12	S or B	12	0.10	3000	20.52	1.82	26.95	33
YDH7010X24	S or B	24	0.13	5000	34.20	5.06	37.56	33
YDM7010X24	S or B	24	0.11	4000	27.36	3.24	31.82	33
YDL7010X24	S or B	24	0.08	3000	20.52	1.82	26.95	33



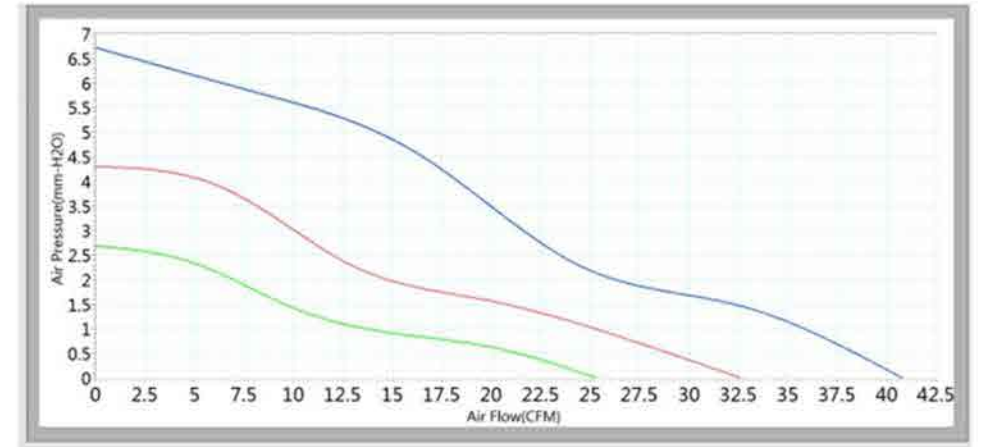
1.Specifications subject to change without notice; 2.Design and provide products according to client's requirements.

Dimensions Drawing

Unit:mm



Characteristic Curves



5000RPM

4000RPM

3000RPM

Specifications

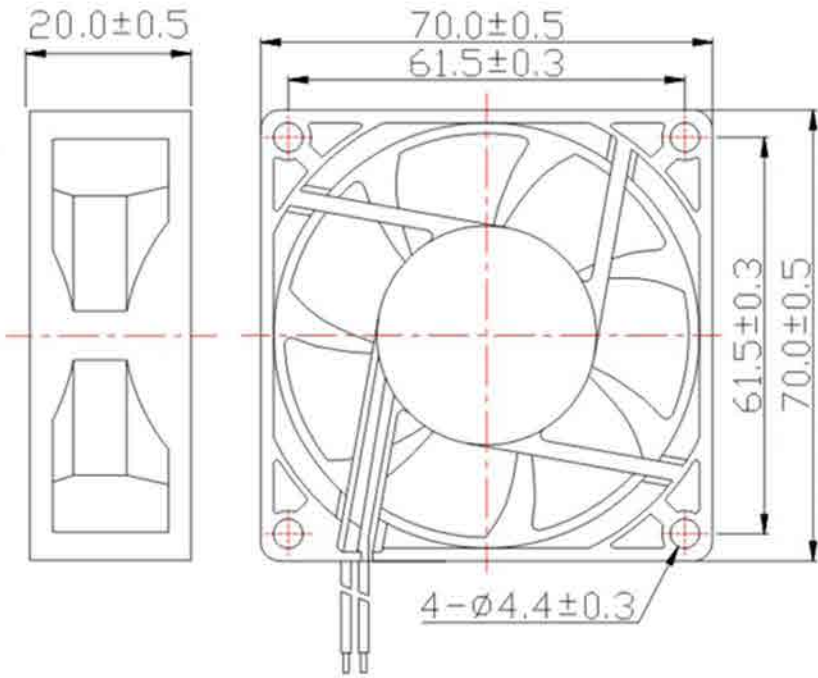
Model	Bearing Type	Rated Voltage	Current	Speed	Air Flow	Static Pressure	Noise Level	Weight
		VDC	A	RPM	CFM	mmH ₂ O	dBA	g
YDH7015X05	S or B	5	0.45	5000	40.79	6.72	39.41	48
YDM7015X05	S or B	5	0.30	4000	32.63	4.30	33.08	48
YDL7015X05	S or B	5	0.20	3000	25.32	2.69	28.20	48
YDH7015X12	S or B	12	0.28	5000	40.79	6.72	39.41	48
YDM7015X12	S or B	12	0.17	4000	32.63	4.30	33.08	48
YDL7015X12	S or B	12	0.11	3000	25.32	2.69	28.20	48
YDH7015X24	S or B	24	0.14	5000	40.79	6.72	39.41	48
YDM7015X24	S or B	24	0.11	4000	32.63	4.30	33.08	48
YDL7015X24	S or B	24	0.08	3000	25.32	2.69	28.20	48



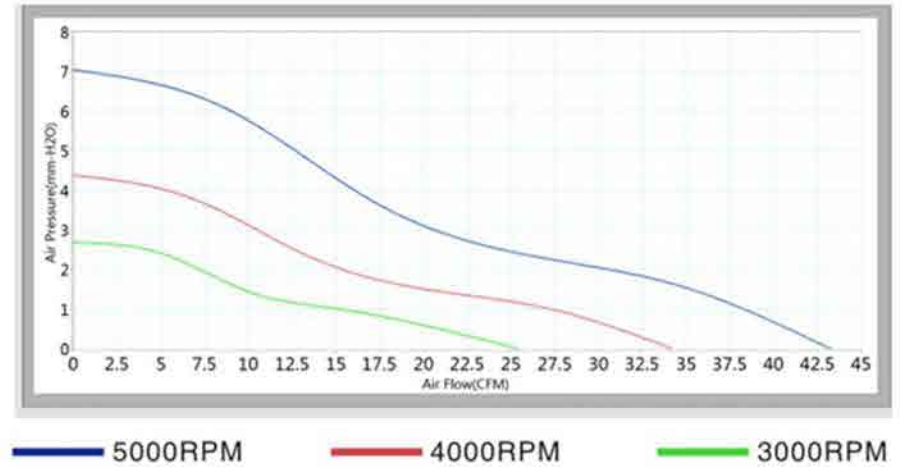
1. Specifications subject to change without notice; 2. Design and provide products according to client's requirements.

Dimensions Drawing

Unit:mm



Characteristic Curves



Specifications

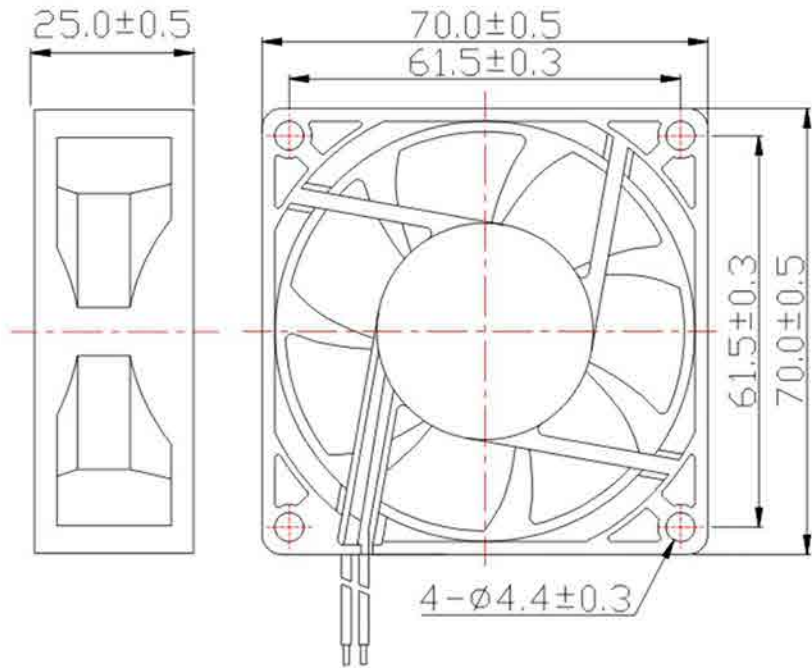
Model	Bearing Type	Rated Voltage	Current	Speed	Air Flow	Static Pressure	Noise Level	Weight
		VDC	A	RPM	CFM	mmH ₂ O	dBA	g
YDH7020X12	S or B	12	0.48	5000	43.25	7.04	41.15	52
YDM7020X12	S or B	12	0.24	4000	34.21	4.38	35.76	52
YDL7020X12	S or B	12	0.15	3000	25.42	2.68	26.85	52
YDH7020X24	S or B	24	0.25	5000	43.25	7.04	41.15	52
YDM7020X24	S or B	24	0.15	4000	34.21	4.38	35.76	52
YDL7020X24	S or B	24	0.10	3000	25.42	2.68	26.85	52

1. Specifications subject to change without notice; 2. Design and provide products according to client's requirements.

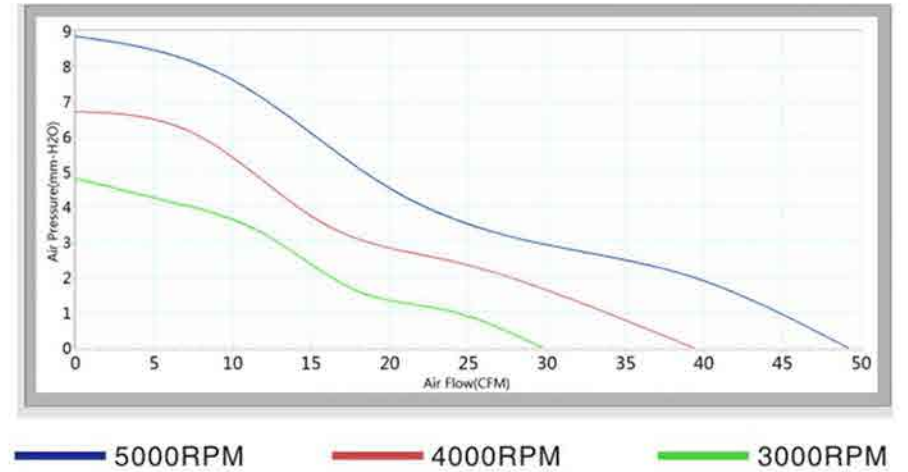


Dimensions Drawing

Unit:mm



Characteristic Curves



5000RPM

4000RPM

3000RPM

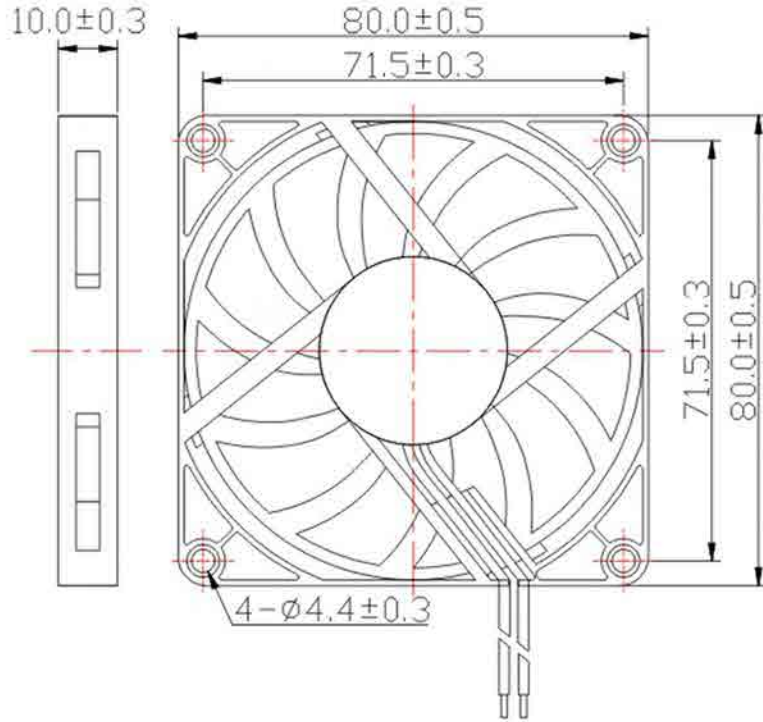
Specifications

Model	Bearing Type	Rated Voltage	Current	Speed	Air Flow	Static Pressure	Noise Level	Weight
		VDC	A	RPM	CFM	mmH ₂ O	dBA	g
YDH7025X12	S or B	12	0.40	5000	49.14	8.85	42.52	63
YDM7025X12	S or B	12	0.25	4000	39.32	6.71	36.86	63
YDL7025X12	S or B	12	0.15	3000	29.72	4.81	29.84	63
YDH7025X24	S or B	24	0.20	5000	49.14	8.85	42.52	63
YDM7025X24	S or B	24	0.11	4000	39.32	6.71	36.86	63
YDL7025X24	S or B	24	0.08	3000	29.72	4.81	29.84	63
YDH7025X48	S or B	48	0.12	5000	49.14	8.85	42.52	63
YDM7025X48	S or B	48	0.08	4000	39.32	6.71	36.86	63
YDL7025X48	S or B	48	0.06	3000	29.72	4.81	29.84	63

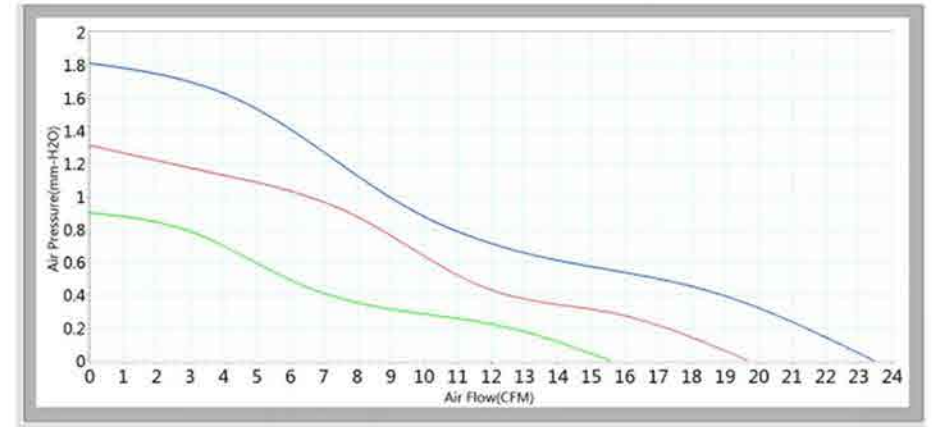


Dimensions Drawing

Unit:mm



Characteristic Curves



3000RPM

2500RPM

2000RPM

Specifications

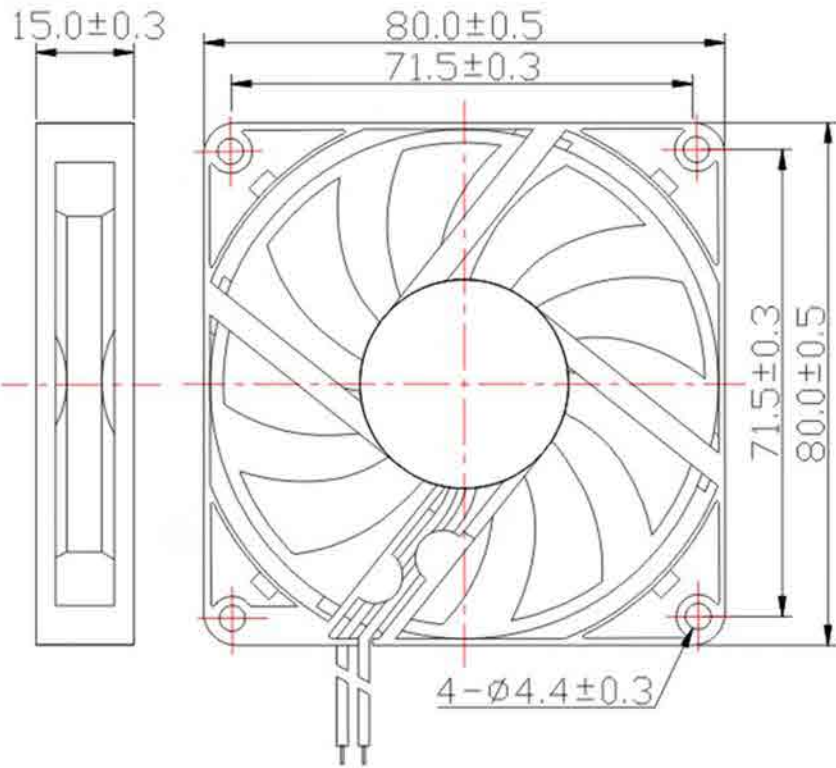
Model	Bearing Type	Rated Voltage	Current	Speed	Air Flow	Static Pressure	Noise Level	Weight
		VDC						
YDH8010X05	S or B	5	0.35	3000	23.45	1.81	30.75	38
YDM8010X05	S or B	5	0.25	2500	19.68	1.31	26.25	38
YDL8010X05	S or B	5	0.17	2000	15.58	0.90	22.08	38
YDH8010X12	S or B	12	0.24	3000	23.45	1.81	30.75	38
YDM8010X12	S or B	12	0.18	2500	19.68	1.31	26.25	38
YDL8010X12	S or B	12	0.12	2000	15.58	0.90	22.08	38
YDH8010X24	S or B	24	0.15	3000	23.45	1.81	30.75	38
YDM8010X24	S or B	24	0.12	2500	19.68	1.31	26.25	38
YDL8010X24	S or B	24	0.08	2000	15.58	0.90	22.08	38



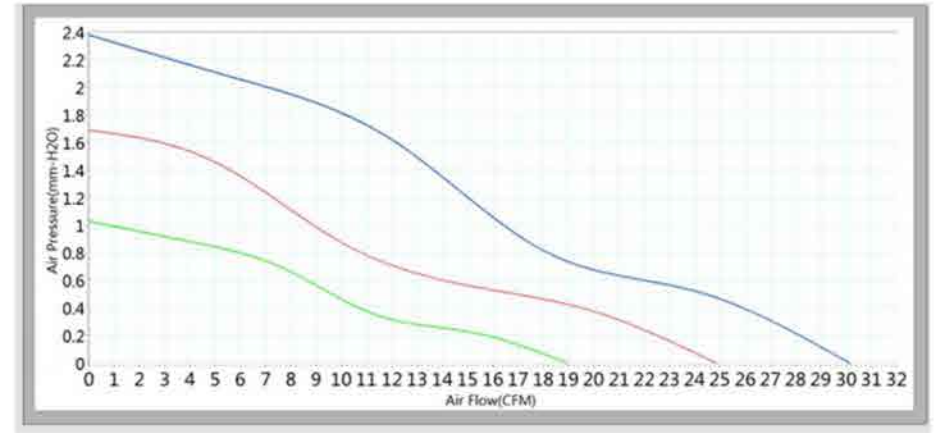
1. Specifications subject to change without notice; 2. Design and provide products according to client's requirements.

Dimensions Drawing

Unit:mm



Characteristic Curves



— 3000RPM

— 2500RPM

— 2000RPM

Specifications

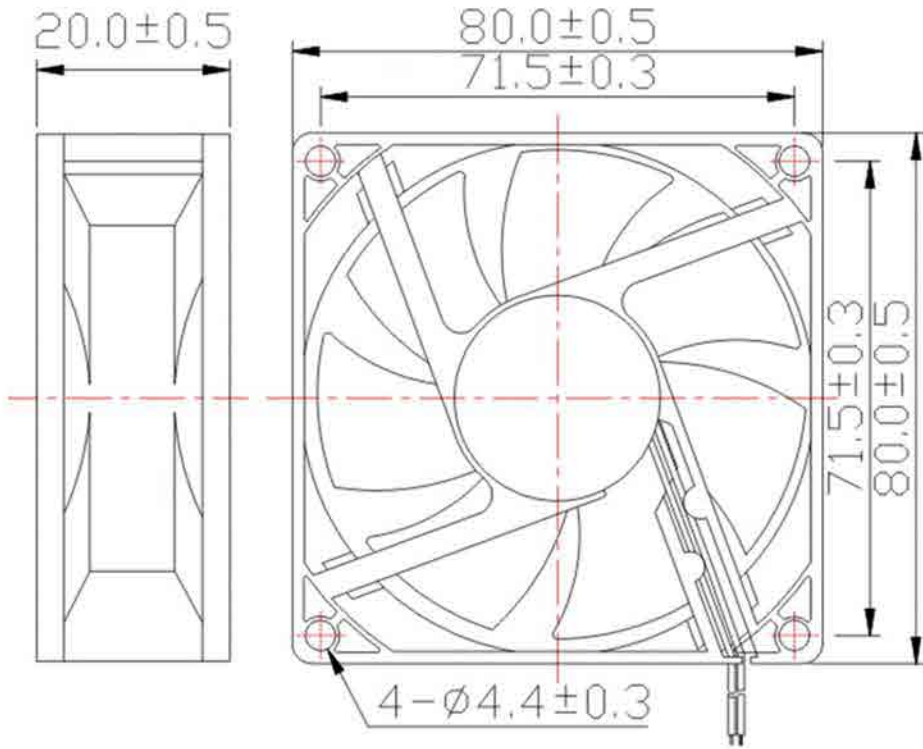
Model	Bearing Type	Rated Voltage	Current	Speed	Air Flow	Static Pressure	Noise Level	Weight
		VDC	A	RPM	CFM	mmH ₂ O	dBA	g
YDH8015X12	S or B	12	0.17	3000	30.16	2.38	34.57	54
YDM8015X12	S or B	12	0.12	2500	24.89	1.69	29.80	54
YDL8015X12	S or B	12	0.08	2000	18.99	1.03	24.15	54
YDH8015X24	S or B	24	0.11	3000	30.16	2.38	34.57	54
YDM8015X24	S or B	24	0.08	2500	24.89	1.69	29.80	54
YDL8015X24	S or B	24	0.05	2000	18.99	1.03	24.15	54



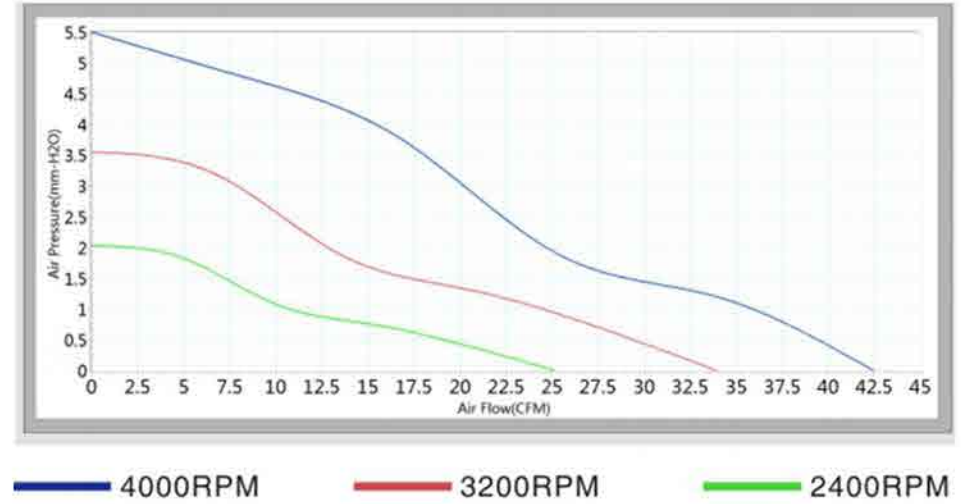
1. Specifications subject to change without notice; 2. Design and provide products according to client's requirements.

Dimensions Drawing

Unit:mm



Characteristic Curves



4000RPM

3200RPM

2400RPM

Specifications

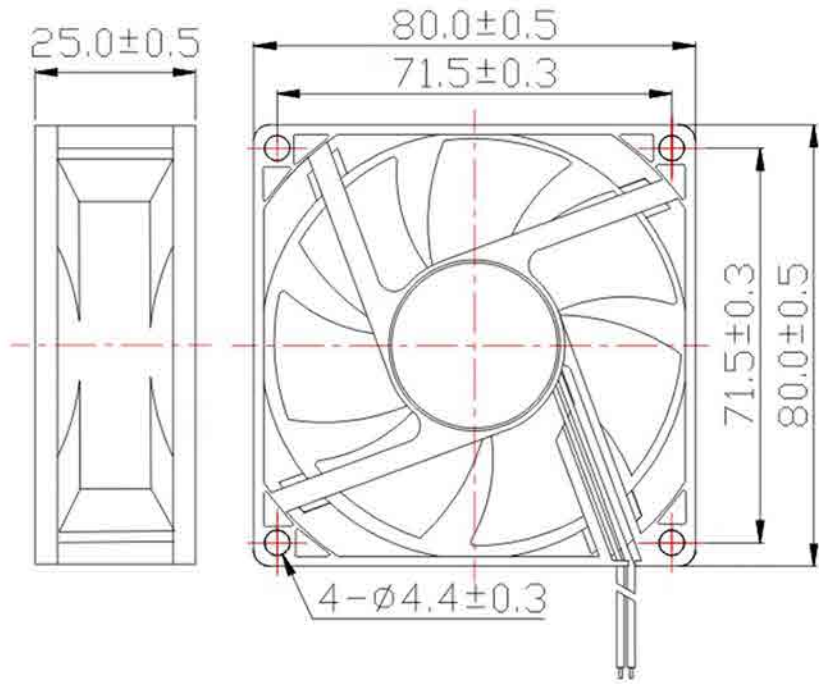
Model	Bearing Type	Rated Voltage	Current	Speed	Air Flow	Static Pressure	Noise Level	Weight
		VDC	A	RPM	CFM	mmH ₂ O	dBA	
YDH8020X12	S or B	12	0.30	4000	42.44	5.50	41.50	60
YDM8020X12	S or B	12	0.20	3200	33.95	3.55	34.67	60
YDL8020X12	S or B	12	0.10	2400	25.15	2.03	28.90	60
YDH8020X24	S or B	24	0.20	4000	42.44	5.50	41.50	60
YDM8020X24	S or B	24	0.15	3200	33.95	3.55	34.67	60
YDL8020X24	S or B	24	0.10	2400	25.15	2.03	28.90	60



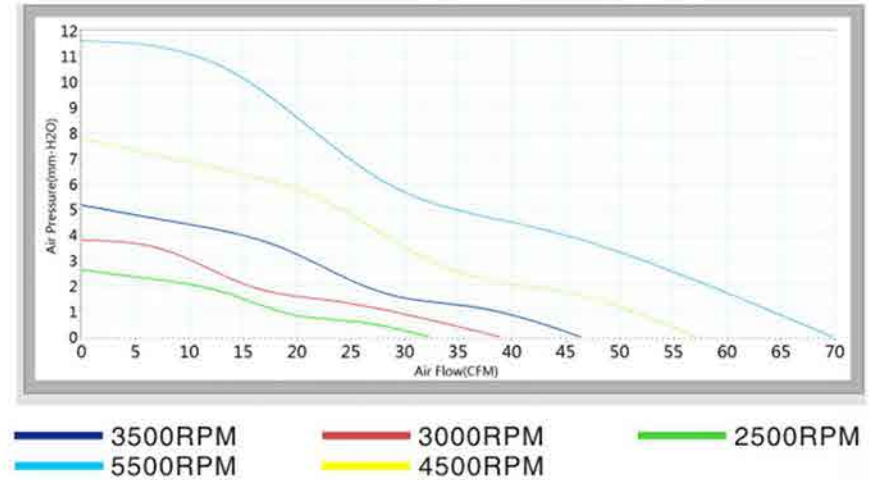
1. Specifications subject to change without notice; 2. Design and provide products according to client's requirements.

Dimensions Drawing

Unit:mm



Characteristic Curves



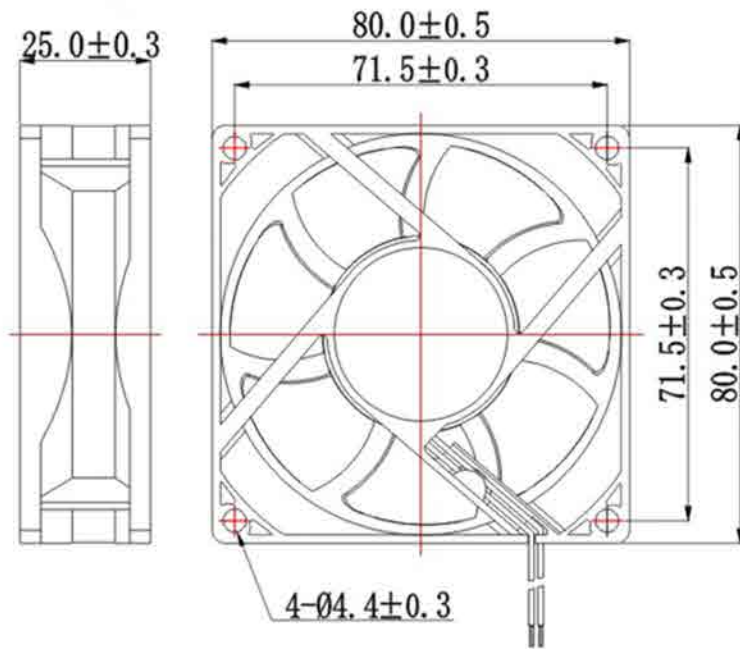
Specifications

Model	Bearing Type	Rated Voltage	Current	Speed	Air Flow	Static Pressure	Noise Level	Weight
		VDC	A	RPM	CFM	mmH ₂ O	dBA	g
YDH8025X12	S or B	12	0.25	3500	46.40	5.16	35.00	63
YDM8025X12	S or B	12	0.18	3000	38.90	3.79	31.33	63
YDL8025X12	S or B	12	0.08	2500	32.40	2.63	26.55	63
YDH8025X24	S or B	24	0.50	5500	69.78	11.59	45.80	63
YDM8025X24	S or B	24	0.30	4500	57.09	7.76	41.00	63
YDL8025X24	S or B	24	0.15	3500	46.40	5.16	35.00	63
YDH8025X48	S or B	48	0.16	5500	69.78	11.59	45.80	63
YDM8025X48	S or B	48	0.12	4500	57.09	7.76	41.00	63
YDL8025X48	S or B	48	0.08	3500	46.40	5.16	35.00	63

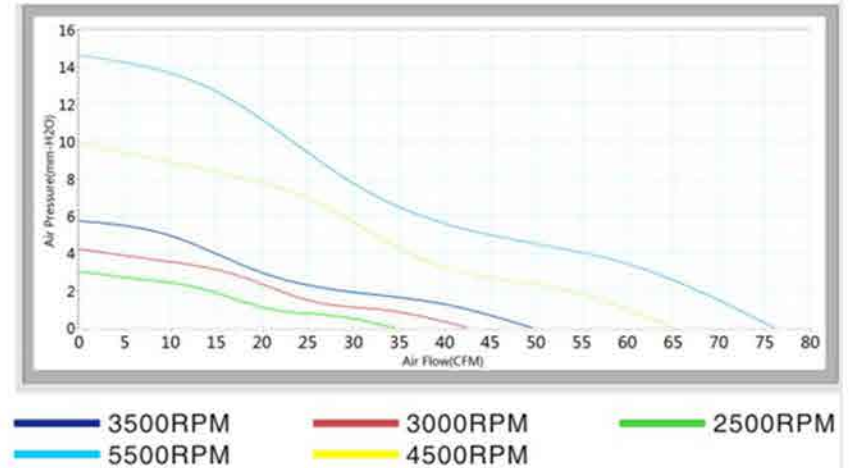


Dimensions Drawing

Unit:mm



Characteristic Curves



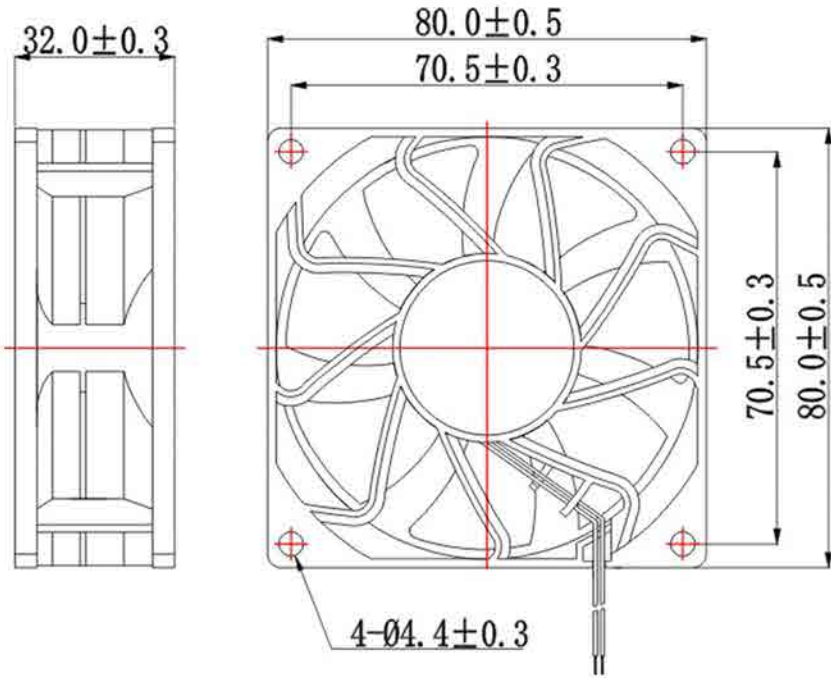
Specifications

Model	Bearing Type	Rated Voltage	Current	Speed	Air Flow	Static Pressure	Noise Level	Weight
		VDC	A	RPM	CFM	mmH ₂ O	dBA	g
YDH8025X12	S or B	12	0.25	3500	49.59	5.74	37.60	73
YDM8025X12	S or B	12	0.18	3000	42.51	4.22	33.92	73
YDL8025X12	S or B	12	0.08	2500	34.55	3.02	28.52	73
YDH8025X24	S or B	24	0.50	5500	76.02	14.61	48.35	73
YDM8025X24	S or B	24	0.30	4500	64.96	9.92	43.60	73
YDL8025X24	S or B	24	0.15	3500	49.59	5.74	37.60	73
YDH8025X48	S or B	48	0.16	5500	76.02	14.61	48.35	73
YDM8025X48	S or B	48	0.12	4500	64.96	9.92	43.60	73
YDL8025X48	S or B	48	0.08	3500	49.59	5.74	37.60	73

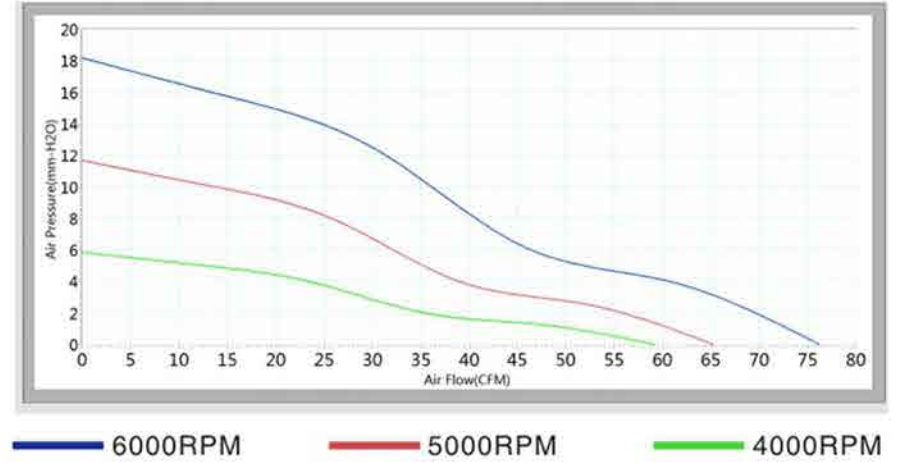


Dimensions Drawing

Unit:mm



Characteristic Curves



Specifications

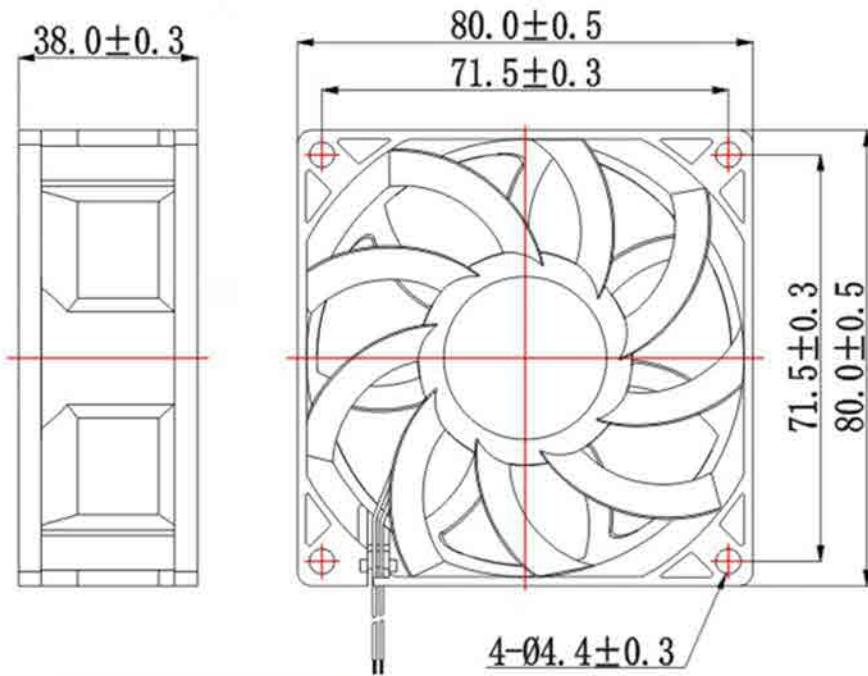
Model	Bearing Type	Rated Voltage	Current	Speed	Air Flow	Static Pressure	Noise Level	Weight
		VDC	A	RPM	CFM	mmH ₂ O	dBA	
YDH8032X12	S or B	12	1.55	6000	76.25	18.18	49.23	95
YDM8032X12	S or B	12	0.85	5000	65.26	11.67	44.06	95
YDL8032X12	S or B	12	0.45	4000	59.23	5.85	37.15	95
YDH8032X24	S or B	24	0.78	6000	76.25	18.18	49.23	95
YDM8032X24	S or B	24	0.45	5000	65.26	11.67	44.06	95
YDL8032X24	S or B	24	0.25	4000	59.23	5.85	37.15	95
YDH8032X48	S or B	48	0.30	6000	76.25	18.18	49.23	95
YDM8032X48	S or B	48	0.20	5000	65.26	11.67	44.06	95
YDL8032X48	S or B	48	0.10	4000	59.23	5.85	37.15	95



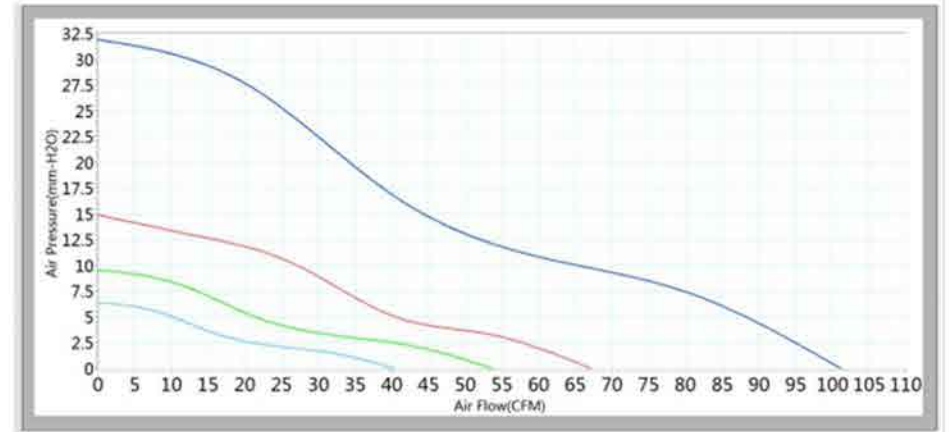
1. Specifications subject to change without notice; 2. Design and provide products according to client's requirements.

Dimensions Drawing

Unit:mm



Characteristic Curves



7500RPM
3000RPM

5000RPM

4000RPM

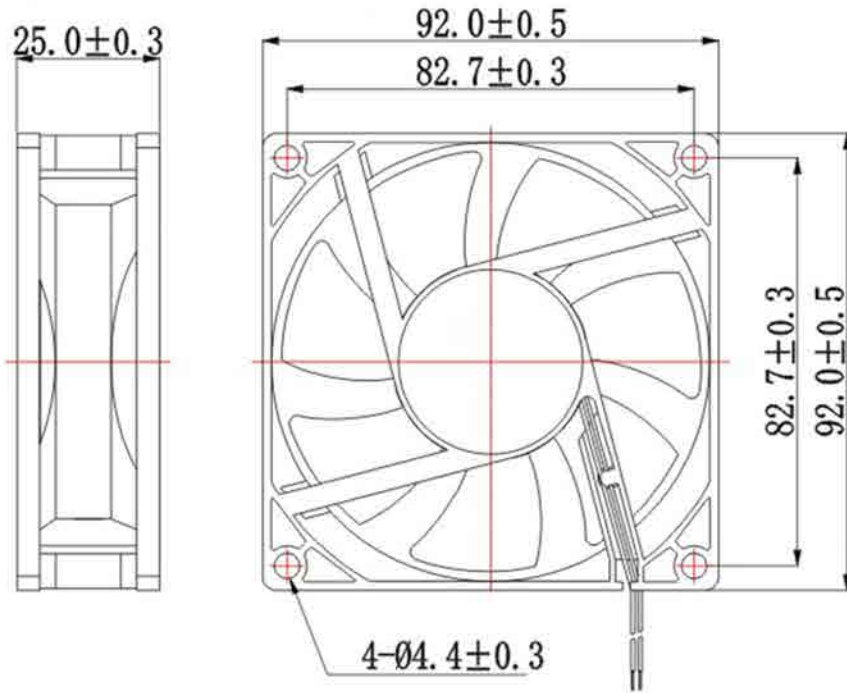
Specifications

Model	Bearing Type	Rated Voltage	Current	Speed	Air Flow	Static Pressure	Noise Level	Weight
		VDC	A	RPM	CFM	mmH ₂ O	dBA	
YDD8038X12	S or B	12	2.00	7500	101.13	31.89	58.58	9
YDH8038X12	S or B	12	0.50	5000	67.12	14.88	49.86	180
YDM8038X12	S or B	12	0.30	4000	53.73	9.52	43.52	180
YDL8038X12	S or B	12	0.20	3000	40.27	6.36	36.66	180
YDD8038X24	S or B	24	1.00	7500	101.13	31.89	58.58	180
YDH8038X24	S or B	24	0.45	5000	67.12	14.88	49.86	180
YDM8038X24	S or B	24	0.35	4000	53.73	9.52	43.52	180
YDL8038X24	S or B	24	0.25	3000	40.27	6.36	36.66	180
YDD8038X48	S or B	48	0.50	7500	101.13	31.89	58.58	180
YDH8038X48	S or B	48	0.30	5000	67.12	14.88	49.86	180
YDM8038X48	S or B	48	0.20	4000	53.73	9.52	43.52	180
YDL8038X48	S or B	48	0.10	3000	40.27	6.36	36.66	180

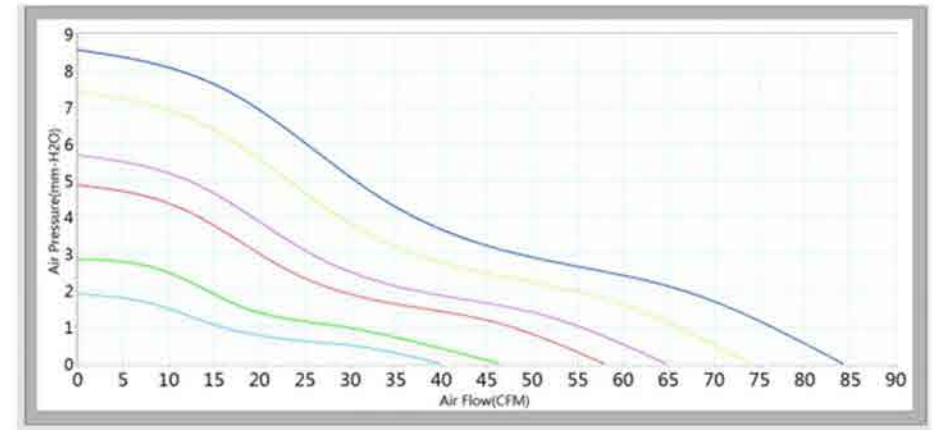


Dimensions Drawing

Unit:mm



Characteristic Curves



4500RPM
3000RPM

4000RPM
2500RPM

3500RPM
2000RPM

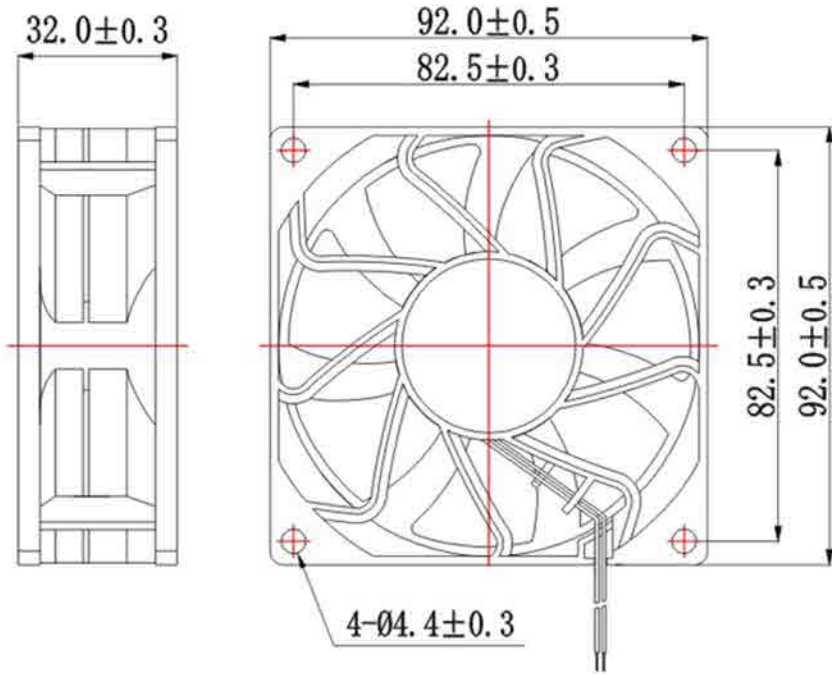
Specifications

Model	Bearing Type	Rated Voltage	Current	Speed	Air Flow	Static Pressure	Noise Level	Weight
		VDC	A	RPM	CFM	mmH ₂ O	dBA	g
YDD9225X12	S or B	12	0.50	4500	84.21	8.56	45.14	85
YDH9225X12	S or B	12	0.30	3000	57.94	4.88	33.46	85
YDM9225X12	S or B	12	0.16	2500	46.46	2.85	28.58	85
YDL9225X12	S or B	12	0.10	2000	39.87	1.90	25.87	85
YDD9225X24	S or B	24	0.40	4500	84.21	8.56	45.14	85
YDH9225X24	S or B	24	0.30	4000	73.96	7.42	40.46	85
YDM9225X24	S or B	24	0.20	3500	64.71	5.68	36.80	85
YDL9225X24	S or B	24	0.10	2000	39.87	1.90	25.87	85
YDD9225X48	S or B	48	0.20	4500	84.21	8.56	45.14	85
YDH9225X48	S or B	48	0.15	4000	73.96	7.42	40.46	85
YDM9225X48	S or B	48	0.12	3500	64.71	5.68	36.80	85
YDL9225X48	S or B	48	0.08	2000	39.87	1.90	25.87	85

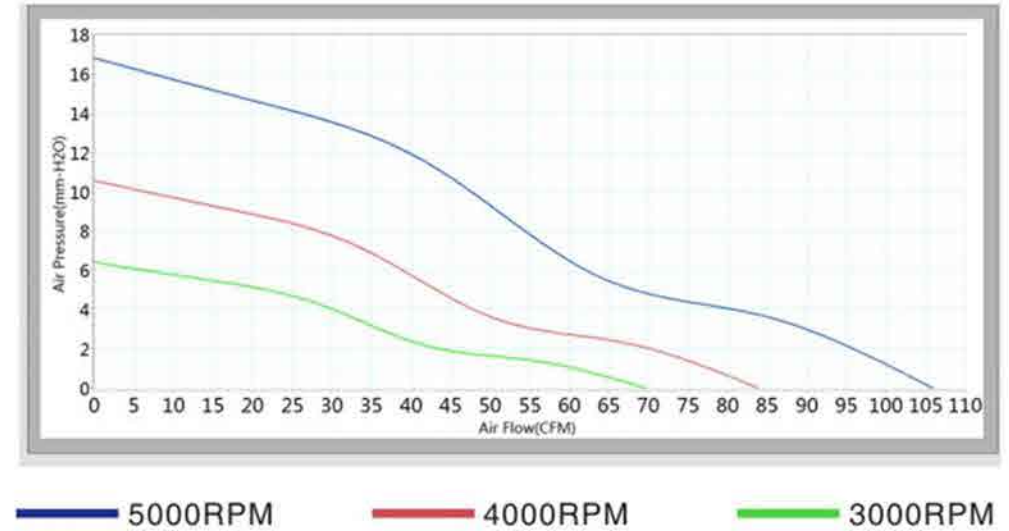


Dimensions Drawing

Unit:mm



Characteristic Curves



Specifications

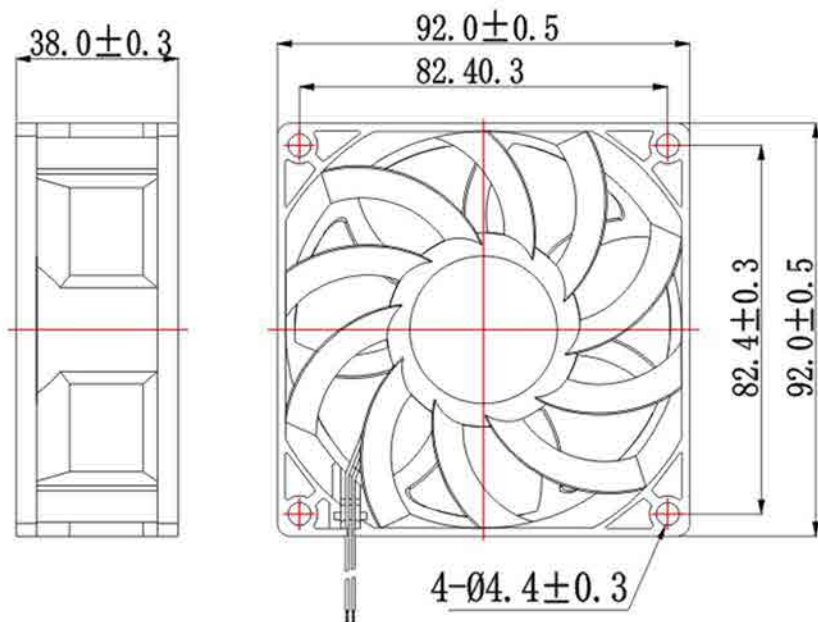
Model	Bearing Type	Rated Voltage	Current	Speed	Air Flow	Static Pressure	Noise Level	Weight
		VDC	A	RPM	CFM	mmH ₂ O	dBA	g
YDH9232X12	S or B	12	0.50	5000	105.94	16.80	52.12	200
YDM9232X12	S or B	12	0.30	4000	83.95	10.56	46.39	200
YDL9232X12	S or B	12	0.20	3000	69.72	6.41	38.32	200
YDH9232X24	S or B	24	0.40	5000	105.94	16.80	52.12	200
YDM9232X24	S or B	24	0.25	4000	83.95	10.56	46.39	200
YDL9232X24	S or B	24	0.15	3000	69.72	6.41	38.32	200
YDH9232X48	S or B	48	0.20	5000	105.94	16.80	52.12	200
YDM9232X48	S or B	48	0.15	4000	83.95	10.56	46.39	200
YDL9232X48	S or B	48	0.10	3000	69.72	6.41	38.32	200



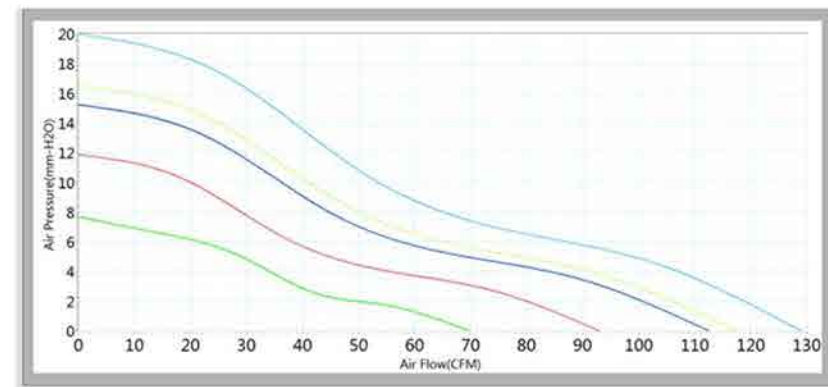
1. Specifications subject to change without notice; 2. Design and provide products according to client's requirements.

Dimensions Drawing

Unit:mm



Characteristic Curves



5500RPM

5000RPM

4800RPM

4000RPM

3000RPM

Specifications

Model	Bearing Type	Rated Voltage	Current	Speed	Air Flow	Static Pressure	Noise Level	Weight
		VDC	A	RPM	CFM	mmH ₂ O	dBA	g
YDH9238X12	S or B	12	0.60	4800	112.54	15.22	52.14	226
YDM9238X12	S or B	12	0.45	4000	92.97	11.86	48.36	266
YDL9238X12	S or B	12	0.30	3000	69.73	7.67	39.49	266
YDD9238X24	S or B	24	0.55	5500	128.96	19.98	56.44	226
YDH9238X24	S or B	24	0.35	5000	117.23	16.51	53.12	226
YDM9238X24	S or B	24	0.25	4000	92.97	11.86	48.36	266
YDL9238X24	S or B	24	0.15	3000	69.73	7.67	39.49	266
YDD9238X48	S or B	48	0.30	5500	128.96	19.98	56.44	226
YDH9238X48	S or B	48	0.25	5000	117.23	16.51	53.12	226
YDM9238X48	S or B	48	0.15	4000	92.97	11.86	48.36	266
YDL9238X48	S or B	48	0.10	3000	69.73	7.67	39.49	266

