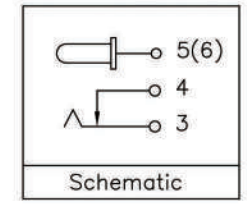
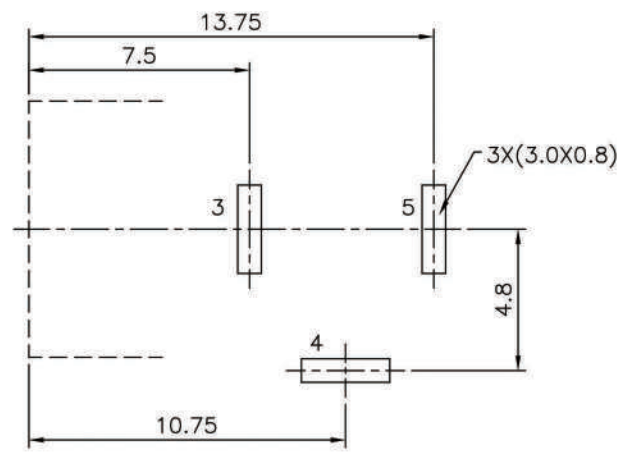
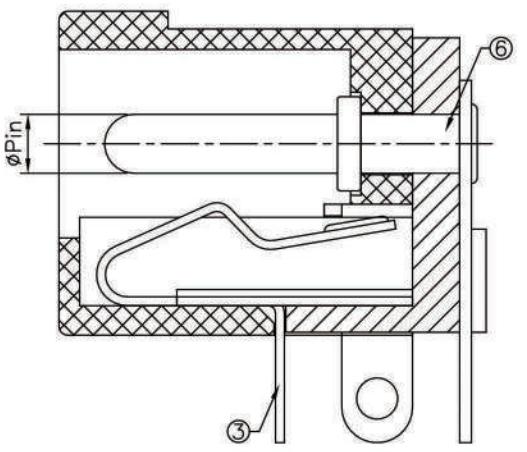


SPECIFICATION

- ⚠ Rating:DC 30V,2.0A
- Contact Resistance:30 Milliohms Max.
- Insulation Resistance:100 Megaohms Min.(250V DC)
- Withstand Voltage:500V AC
- Insertion And Extraction Force:3~20N
- Life Test:5000 Cycles
- RoHS Compliant

DCJ XX - S - H
 (1) (2) (3) (4)

- (1) DCJ:DC Jack DIP Right Angle
- (2) XX:Pin Diameter
20:Pin Ø2.0
25:Pin Ø2.5
- (3) S:With Slot
- (4) H:RoHS Compliant



No.	Description	Q'ty	Material	Remark
①	Housing	1	PBT	Black
②	Cover	1	PBT	Black
③	Spring Piece	1	Bronze	Tin Plated
④	Curve Piece	1	Brass	Tin Plated
⑤	Flat Foot	1	Brass	Tin Plated
⑥	Pin	1	Brass	Nickel Plated

Recommended P.C.B. Layout(Top View)



CATEGORY	APPROVED BY	UNLESS OTHERWISE SPECIFIED TOLERANCES ARE .X ±0.15 .XX ±0.15 ANG. ±1.5°
PART No. DCJXX-S-H	MEI	
DRAWING No. DCJXX-S-H(DIA2.0,2.5)	HZF	
SCALE	REV.	A1
NONE		

NO.	REV.	REVISIONS	CHK	DATE
⚠ A1		Modify Data	HZF	11/27/2017
⚠ A0		NEW RELEASE	HZF	01/23/2013