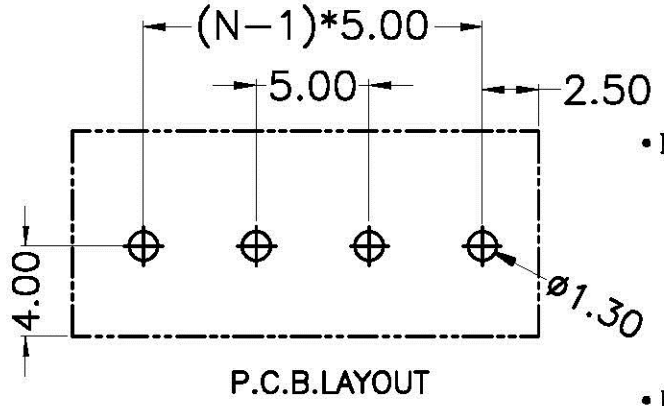
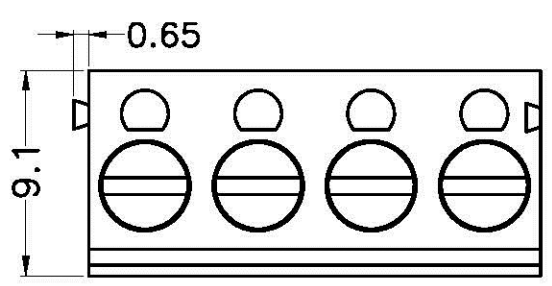
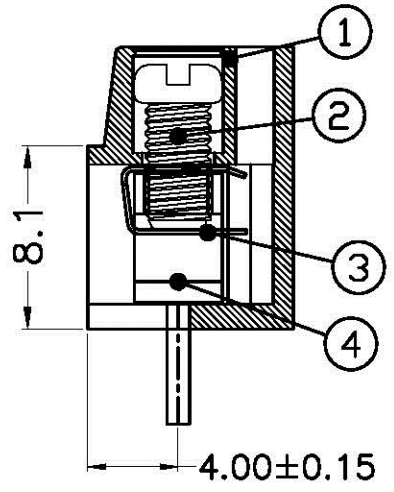
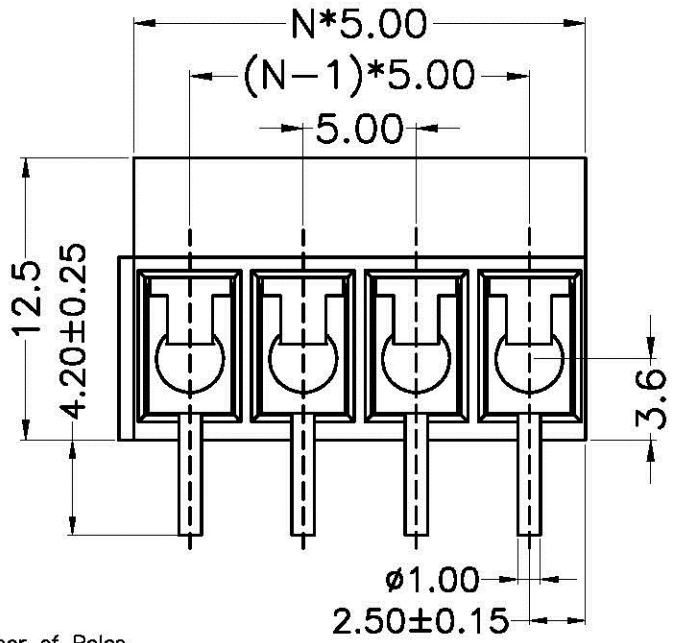


5	6	7	8
编号	修改原因	制图	审核
A			



- Material
 - ①Housing: PBT, UL94V-0
 - ②Screw: M3.0, steel, zinc Plated
 - ③Wire Protector: Phosphor bronze, Ni plated or stainless steel
 - ④Pin header: Brass, Tin plated



- Electrical
 - Rated Voltage: 300V
 - Rated Current: 12A
 - Contact Resistance: 20mΩ
 - Insulation Resistance: 500MΩ/1000V
 - Withstanding Voltage: AC2000V/1Min
 - Wire Range: 22-14AWG 2.5mm²

- Mechanical
 - Temperature Range: -30°C ~ +120°C
 - MAX Soldering: +250°C, 5秒 (5 Seconds)
 - Torque: 0.5Nm (4.43lb. in)
 - Strip length: 4.5-5mm

N=Number of Poles
 Dim P=(N-1)x5.00
 Dim L=Nx5.00

Poles	Dim P	Dim L
2-6P	±0.10	±0.15
7-12P	±0.20	±0.20
13-18P	±0.25	±0.30
19-24P	±0.30	±0.40

尺寸公差:		角度公差:	
X.	±0.25	X.	±3'
.X	±0.2	.X	±2'
.XX	±0.15	.XX	±1'
绘图类型	AUTO CAD		
比例	1:1	图页	1\1
图例编号			

投影法		品名	DG300V-5.0
单位	mm	产品系列	KF300V
纸张尺寸	A4		

PENZEL COMERCIO EXTERIOR LTDA.