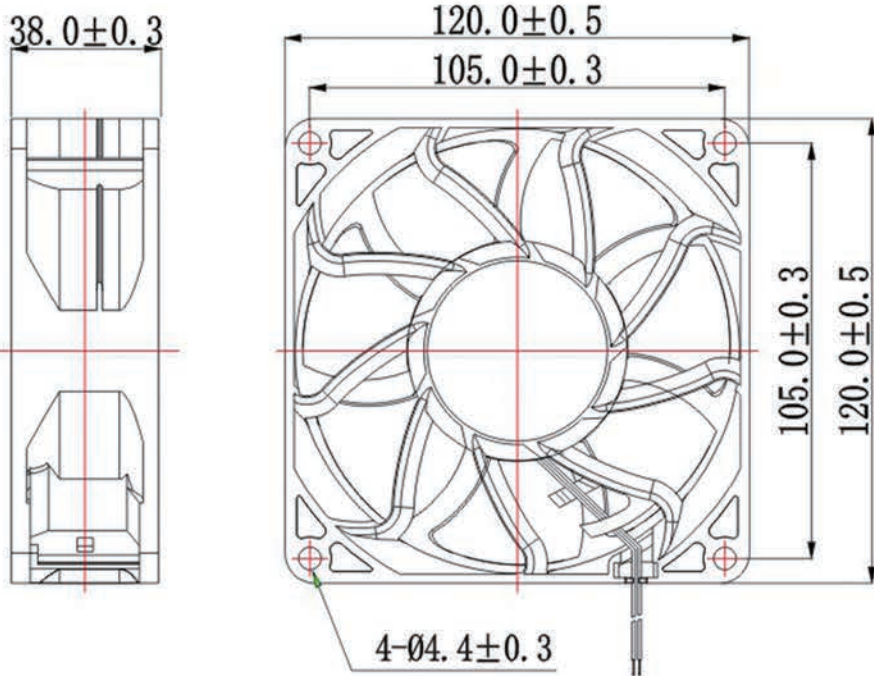
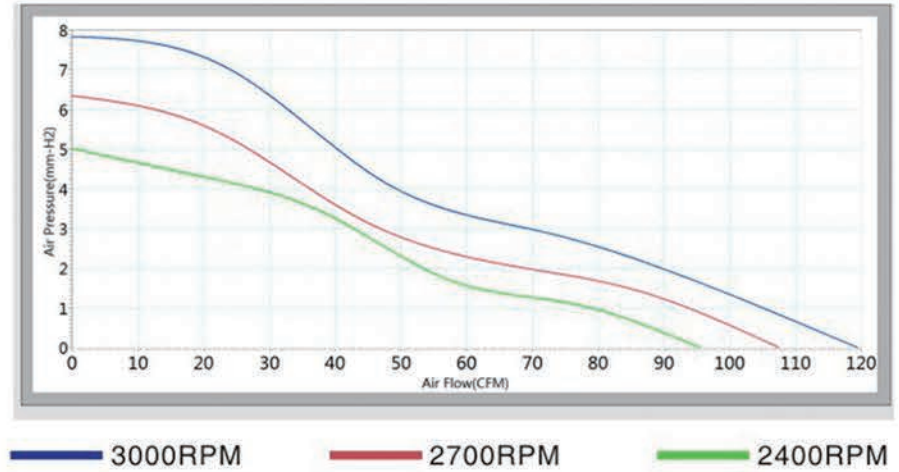


Dimensions Drawing

Unit:mm



Characteristic Curves



Specifications

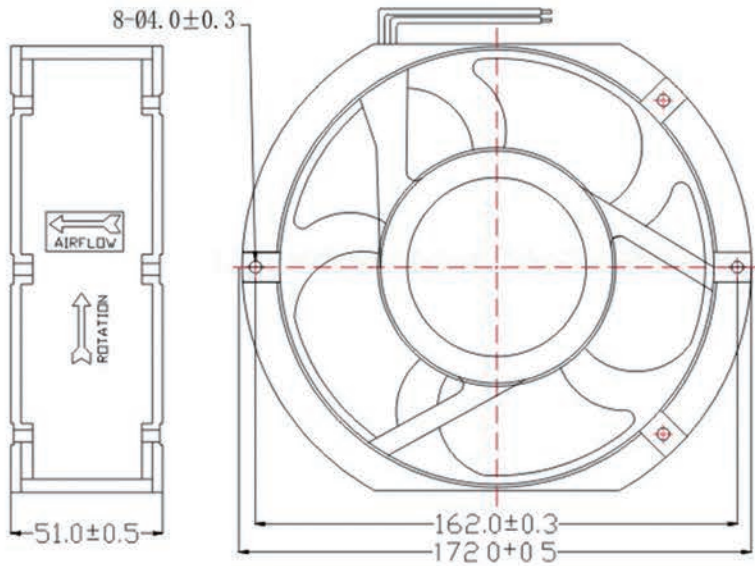
Model	Bearing Type	Rated Voltage	Power	Speed	Air Flow	Static Pressure	Noise Level	Weight
		VAC	W	RPM	CFM	mmH ₂ O	dBA	g
YEH1238X2	S or B	110-220	9.00	3000	119.47	7.84	44.47	265
YEM1238X2	S or B	110-220	7.00	2700	107.54	6.35	41.95	265
YEL1238X2	S or B	110-220	5.00	2400	95.59	5.02	39.14	265

1. Specifications subject to change without notice; 2. Design and provide products according to client's requirements.

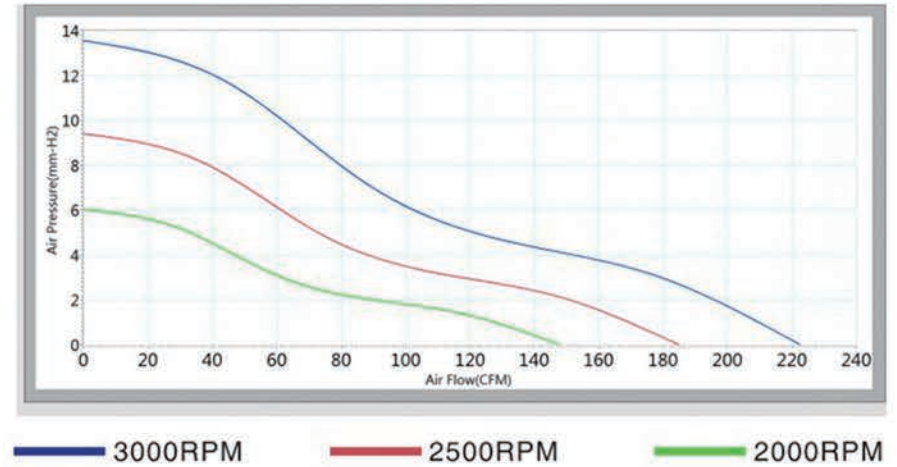


Dimensions Drawing

Unit:mm



Characteristic Curves



Specifications

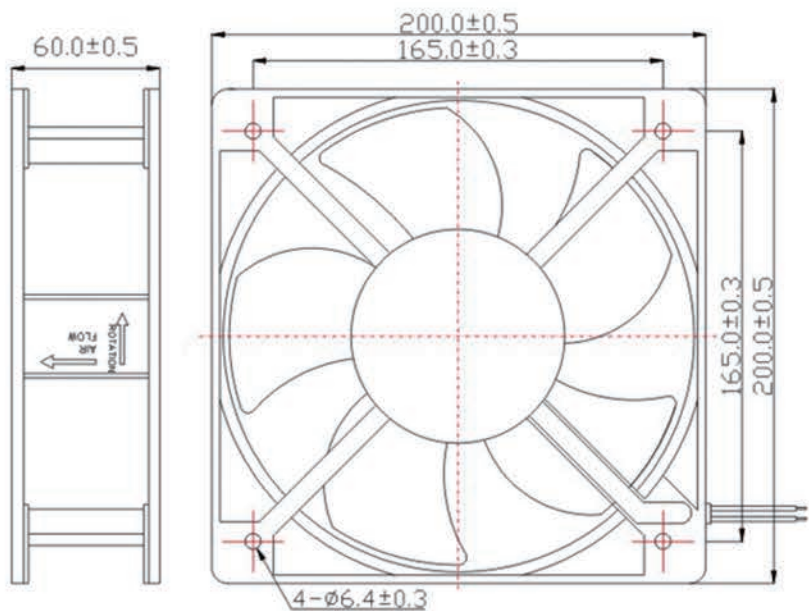
Model	Bearing Type	Rated Voltage	Power	Speed	Air Flow	Static Pressure	Noise Level	Weight
		VAC	W	RPM	CFM	mmH ₂ O	dBA	g
YEH1751X2	S or B	110-220	25.00	3000	222.60	13.54	55.80	760
YEM1751X2	S or B	110-220	15.00	2500	185.00	9.40	46.50	760
YEL1751X2	S or B	110-220	10.00	2000	148.00	6.02	41.17	760

1. Specifications subject to change without notice; 2. Design and provide products according to client's requirements.

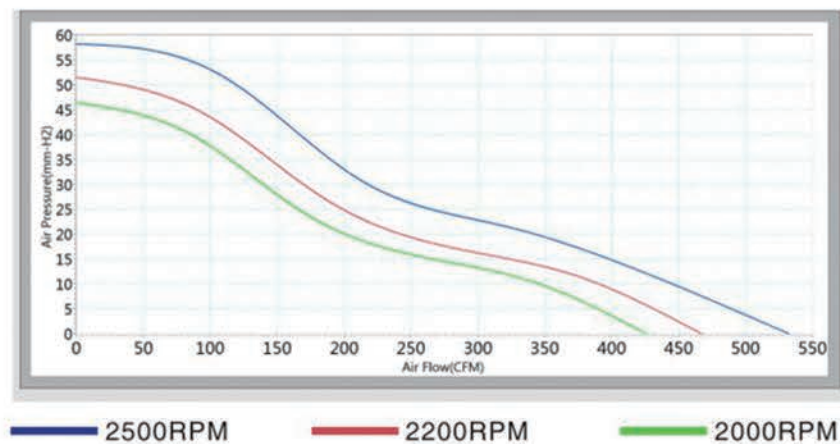


Dimensions Drawing

Unit:mm



Characteristic Curves



Specifications

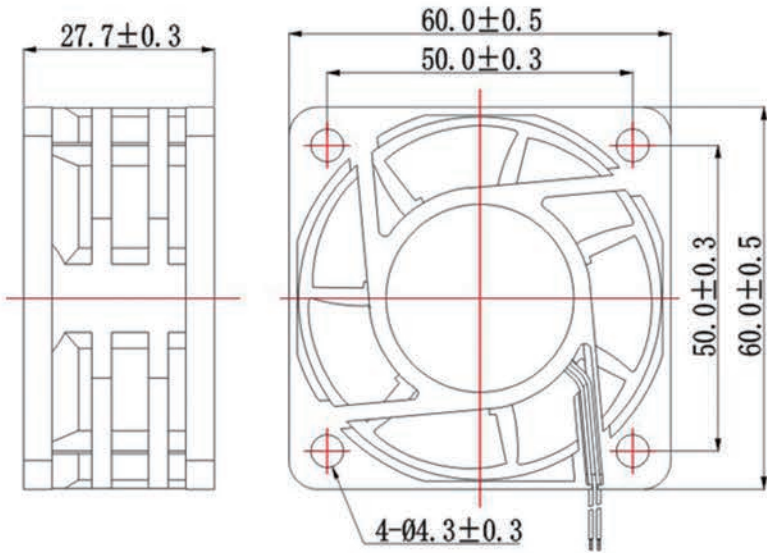
Model	Bearing Type	Rated Voltage	Power	Speed	Air Flow	Static Pressure	Noise Level	Weight
		VAC	W	RPM	CFM	mmH ₂ O	dBA	g
YEH2060X2	Ball	110-220	25.00	2500	532.40	58.20	67.60	1520
YEM2060X2	Ball	110-220	15.00	2200	467.10	51.50	55.80	1520
YEL2060X2	Ball	110-220	10.00	2000	425.90	46.40	46.50	1520



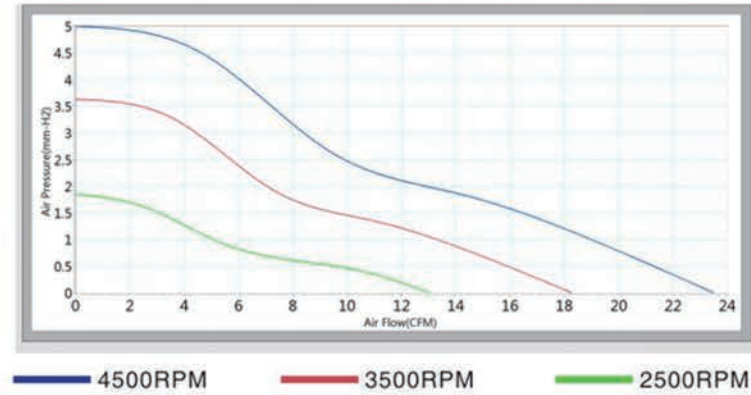
1. Specifications subject to change without notice; 2. Design and provide products according to client's requirements.

Dimensions Drawing

Unit:mm



Characteristic Curves



Specifications

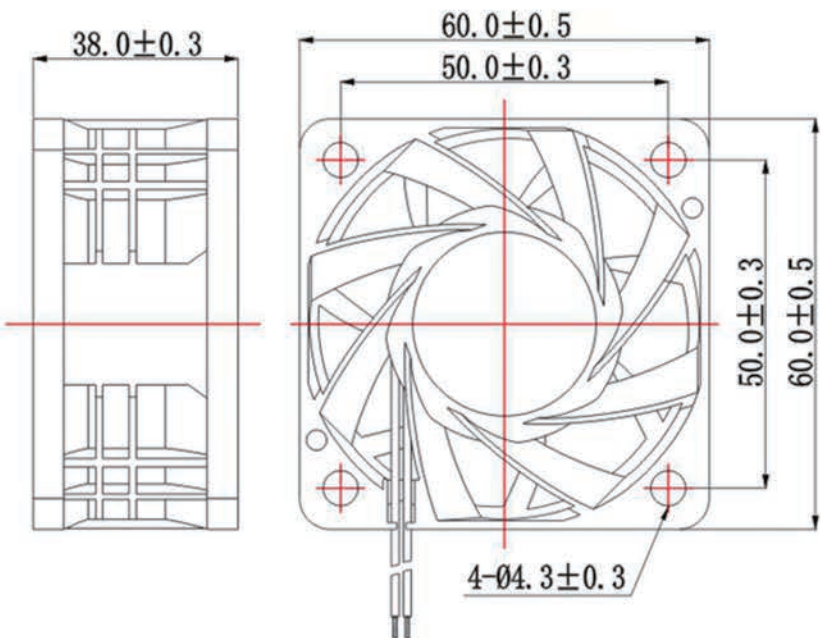
Model	Bearing Type	Rated Voltage	Power	Speed	Air Flow	Static Pressure	Noise Level	Weight
		VAC	W	RPM	CFM	mmH ₂ O	dBA	
YEH6028X2	S or B	110-220	2.50	4500	23.50	5.00	31.50	68
YEM6028X2	S or B	110-220	2.00	3500	18.28	3.63	25.50	68
YEL6028X2	S or B	110-220	1.00	2500	13.06	1.85	20.46	68

1. Specifications subject to change without notice; 2. Design and provide products according to client's requirements.

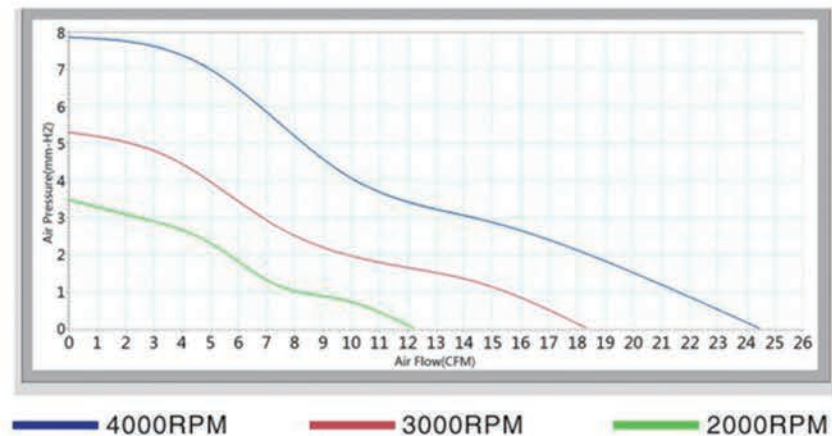


Dimensions Drawing

Unit:mm



Characteristic Curves



Specifications

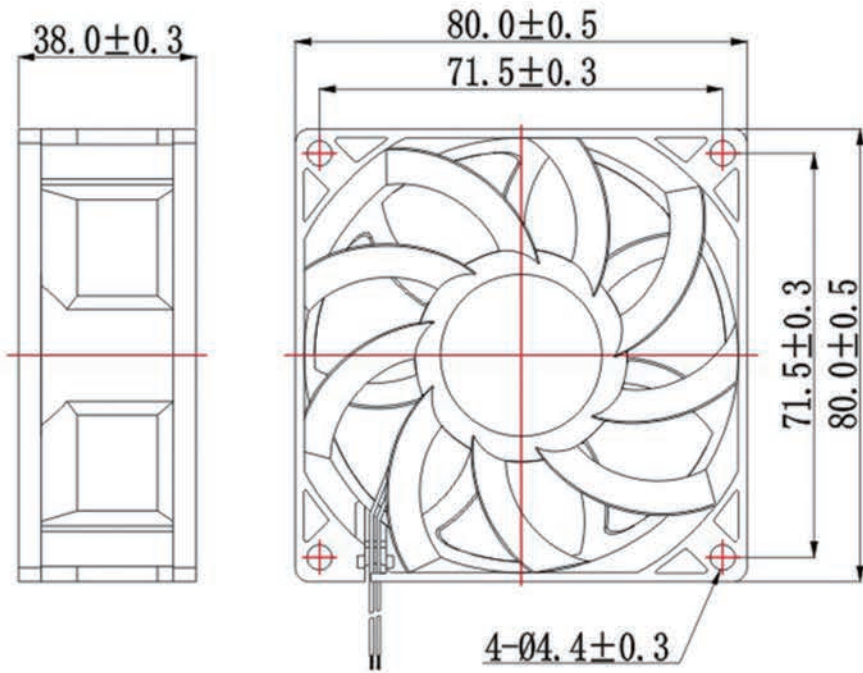
Model	Bearing Type	Rated Voltage	Power	Speed	Air Flow	Static Pressure	Noise Level	Weight
		VAC	W	RPM	CFM	mmH ₂ O	dBA	g
YEH6038X2	S or B	110-220	2.50	4000	24.47	7.87	38.20	85
YEM6038X2	S or B	110-220	2.00	3000	18.35	5.30	31.24	85
YEL6038X2	S or B	110-220	1.50	2000	12.23	3.47	23.36	85



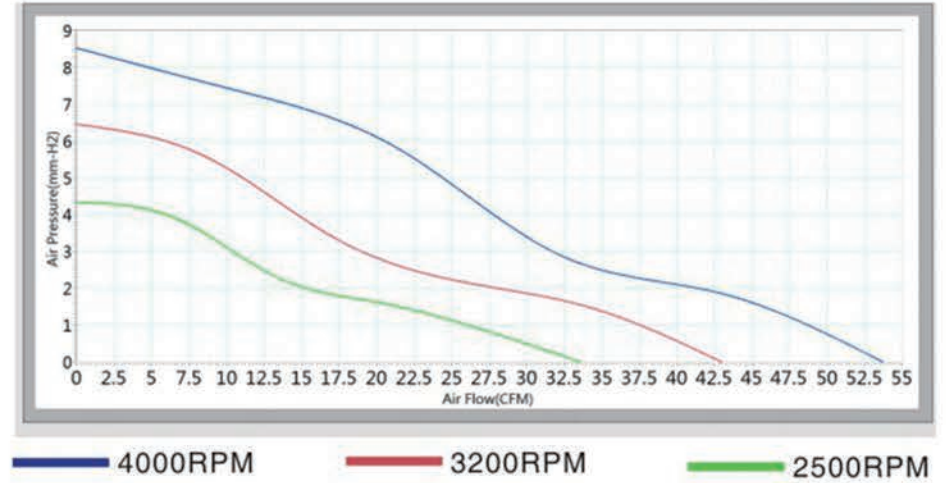
1. Specifications subject to change without notice; 2. Design and provide products according to client's requirements.

Dimensions Drawing

Unit:mm



Characteristic Curves



Specifications

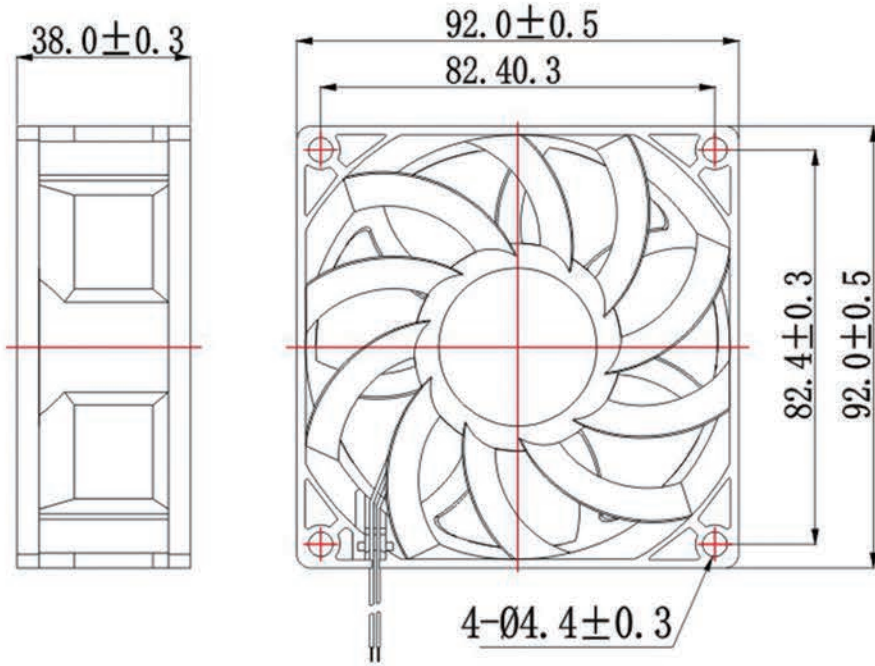
Model	Bearing Type	Rated Voltage	Power	Speed	Air Flow	Static Pressure	Noise Level	Weight
		VAC	W	RPM	CFM	mmH ₂ O	dBA	g
YEH8038X2	S or B	110-220	5.00	4000	53.73	8.52	43.52	180
YEM8038X2	S or B	110-220	4.00	3200	42.98	6.45	38.19	180
YEL8038X2	S or B	110-220	3.00	2500	33.58	4.33	32.29	180

1.Specifications subject to change without notice; 2.Design and provide products according to client's requirements.

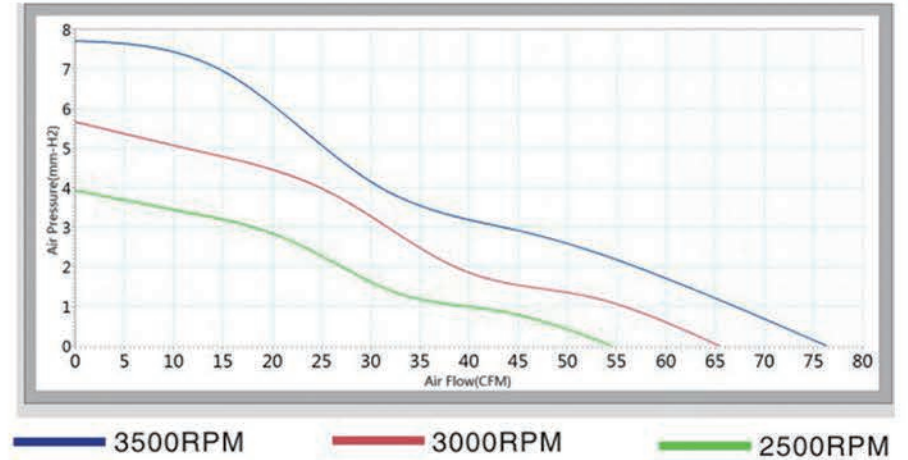


Dimensions Drawing

Unit:mm



Characteristic Curves



Specifications

Model	Bearing Type	Rated Voltage	Power	Speed	Air Flow	Static Pressure	Noise Level	Weight
		VAC	W	RPM	CFM	mmH ₂ O	dBA	g
YEH9238X2	S or B	110-220	5.00	3500	76.34	7.71	45.96	226
YEM9238X2	S or B	110-220	4.00	3000	65.44	5.66	42.27	266
YEL9238X2	S or B	110-220	3.00	2500	54.53	3.93	37.92	266

1. Specifications subject to change without notice; 2. Design and provide products according to client's requirements.

