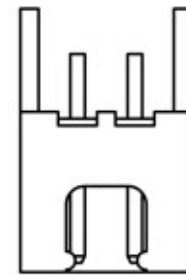
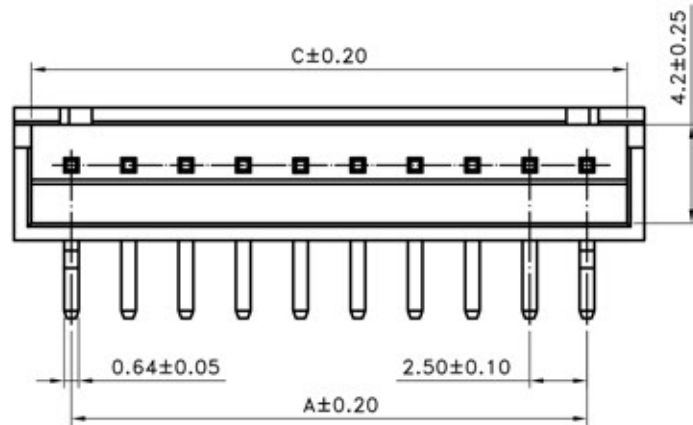
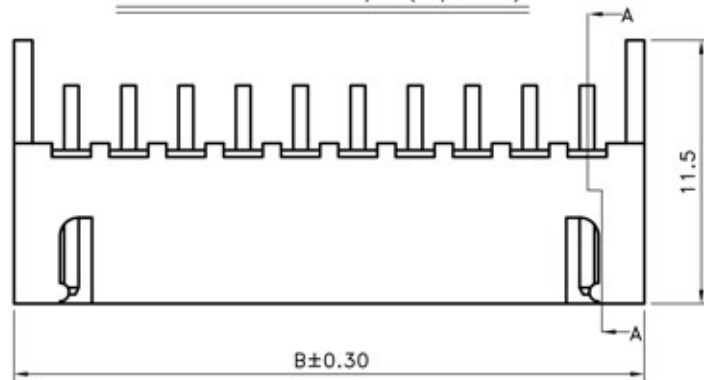
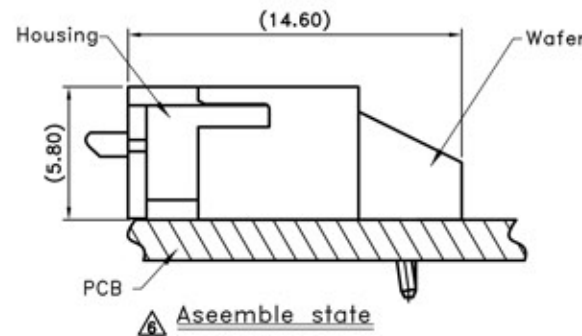


Recommended PCB Layout(Top View)



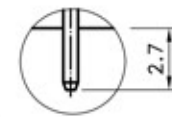
2 Circuit



A-A Section

Blank : 3.4mm
(Standard)

D : 2.7mm



Without Kink

With Kink

Structure Reference

■ SPECIFICATIONS

- Rated Voltage : 250 V AC/DC
- Current Rating : 3A AC/DC.
- Withstanding Voltage : 1,000V AC/minute
- Insulation Resistance : 1,000M Ω min.
- Temperature Range : - 25°C to + 85°C
- Contact resistance : 20m Ω max.

■ WAFER

Part No. : JS-1001R-XX(XXX XX X X) X
① ② ③ ④ ⑤ ⑥

① Poles No : 2~20 (Right Angle)

② Plated : Blank : Bright-Tin Plated

NMD : Matte-Tin Plated

G : Gold Over Plated

G1 : 30u" Gold Plated

③ Base Material : Blank : Nylon 66 UL94V-0
PA : PA46 UL94V-0

④ Kink Type Blank : Without Kink

K : With Kink

⑤ DIP Length Blank : 3.4mm

D : 2.7mm

⑥ Color : Blank : Nature

R : Red(199C#)

R1 : Red(198C#)

• Material : 1. Contact : Brass

2. Base : Refer the above options

• Package : Bag

Poles	Dimension(mm)		
	A	B	C
2	2.50	7.50	6.00
3	5.00	10.00	8.50
4	7.50	12.50	11.00
5	10.00	15.00	13.50
6	12.50	17.50	16.00
7	15.00	20.00	18.50
8	17.50	22.50	21.00
9	20.00	25.00	23.50
10	22.50	27.50	26.00
11	25.00	30.00	28.50
12	27.50	32.50	31.00
13	30.00	35.00	33.50
14	32.50	37.50	36.00
15	35.00	40.00	38.50
16	37.50	42.50	41.00
17	40.00	45.00	43.50
18	42.50	47.50	46.00
19	45.00	50.00	48.50
20	47.50	52.50	51.00



喬訊電子工業股份有限公司
CHYAO SHIUNN
ELECTRONIC INDUSTRIAL LTD.

PART NO JS-1001R-XX(XXXXXXXX)X

2.50mm DIP series wire to board connector(Right Angle)

APPROVED BY	SCALE	UNIT	TOLERANCE	LTR	REVISION RECORD	NAME	DATE	LTR	REVISION RECORD	NAME	DATE
張育瑞		mm	.0 ±0.30	△				△	新增產品規格	周美麗	2012/12/26
CHECKED BY	PROJ	VER NO.	.00 ±0.20	△				△			
周家慶		a8	.000 ±0.10	△				△			
DRAWN BY	DATE	SIZE	ANGLE	△				△			
周美麗	2012/12/26	A4	0° ±1°	△				△			
			.0° ±	△				△			
			SHEET 1/1	△				△			
					JS-1001R全系列合併圖面	劉怡萱	2011/02/14				
					增加PA46選項,增加額定電壓	吳弘文	2011/11/05				
									CUSTOMER		
Conforms to The RoHS Instruction											