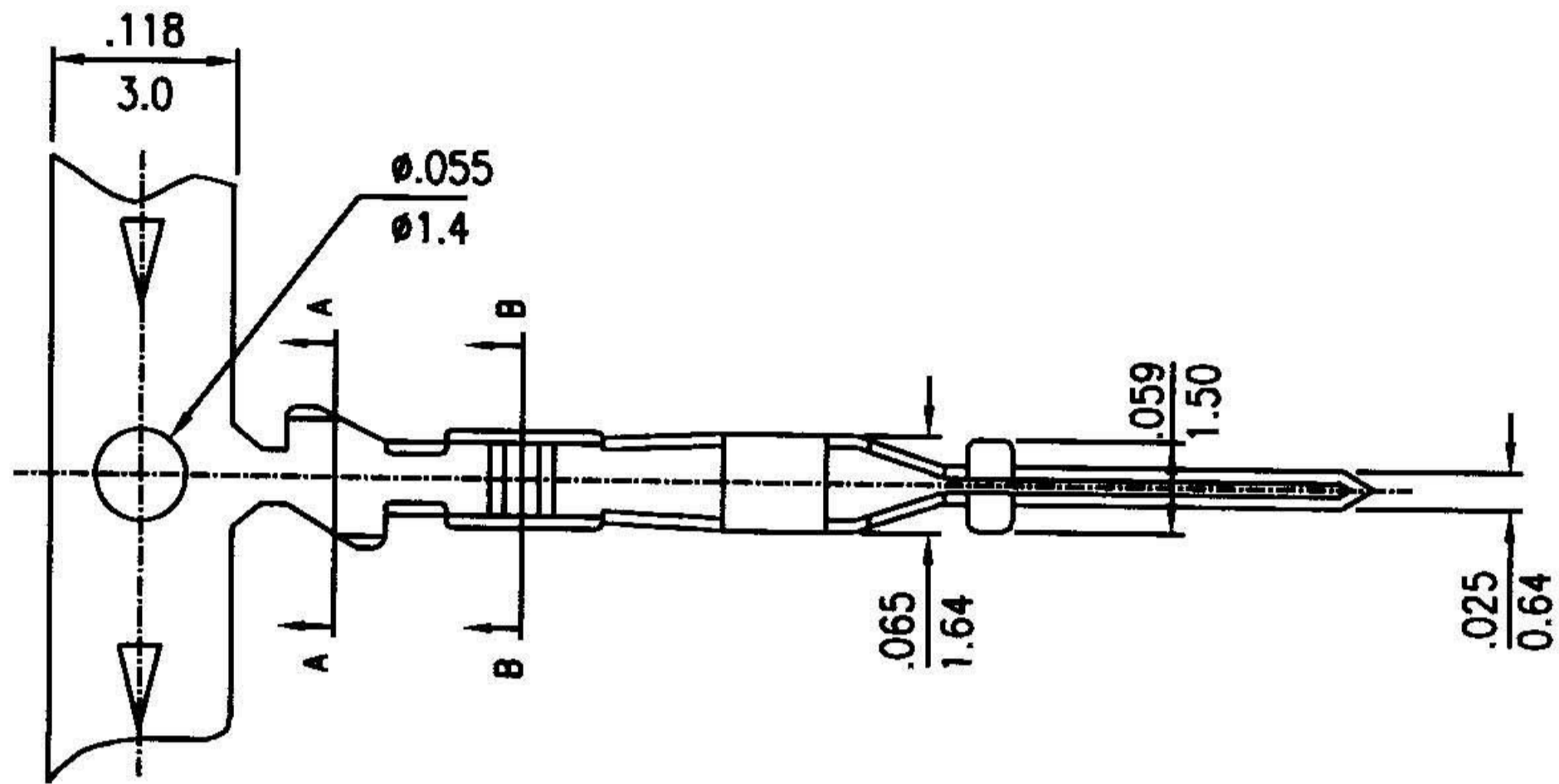


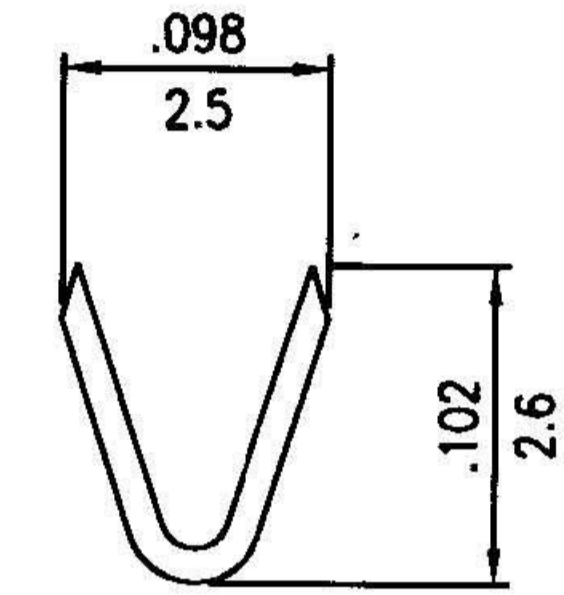
.100"(2.54mm) pitch male crimp terminal

CT328B Series

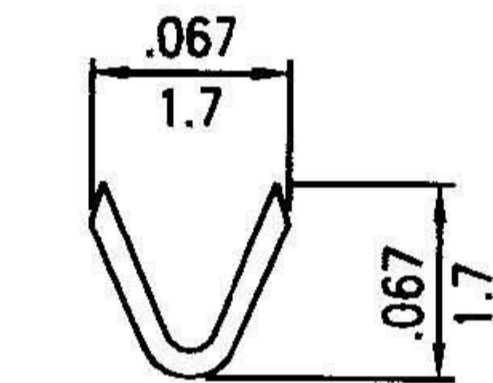
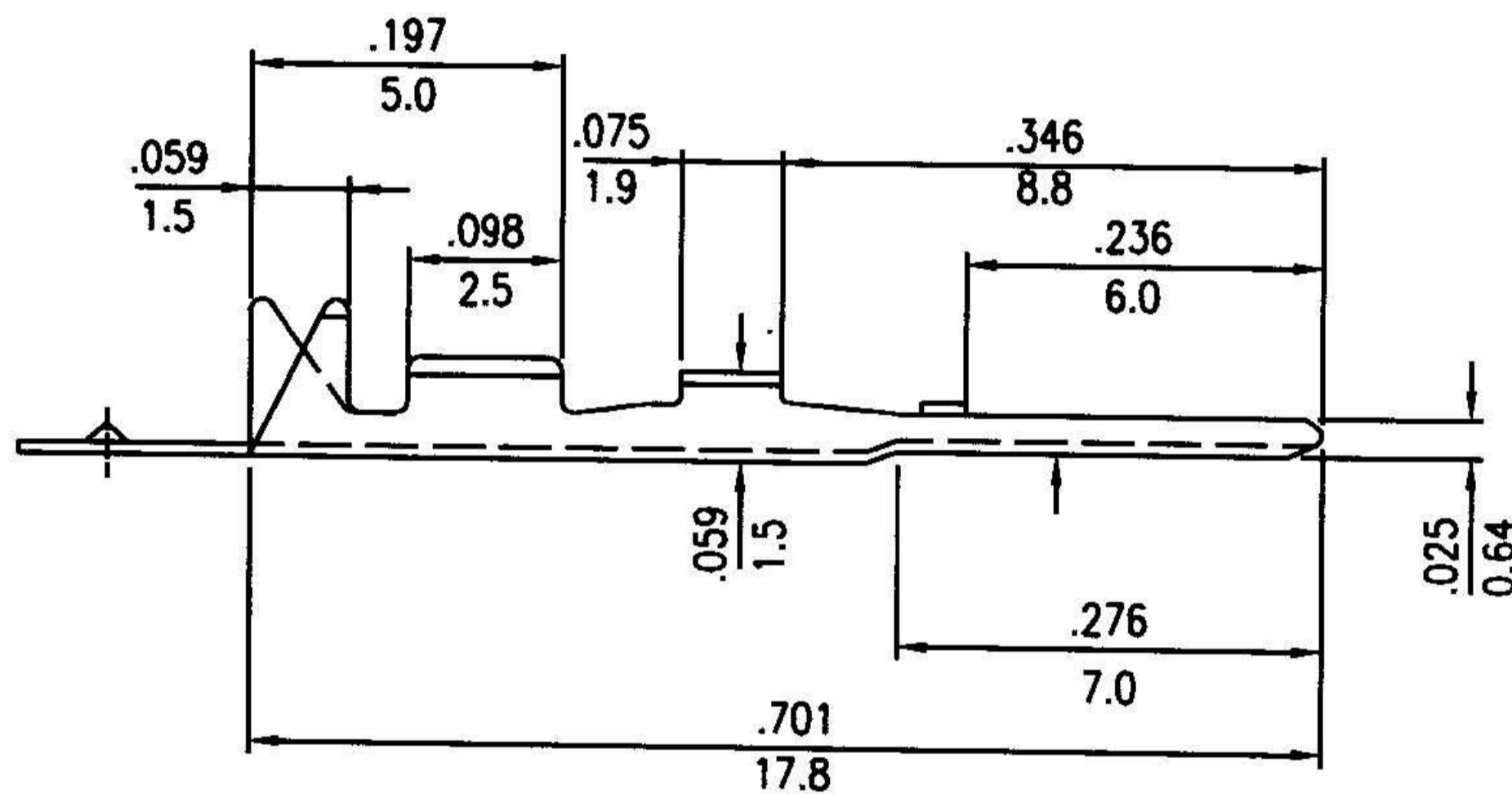
- * Material: Brass
- * Finished: Tin-plated 60u" or gold-plated
- * Used in CH328, CH330 CH330A series housings
- * Wire range: AWG#22~#28
- * Insulation O.D: 1.70mm(max)
- * Thickness: 0.2mm
- * Q'TY: 10,000pcs/reel



inches
mm



A-A SECTION



B-B SECTION

.100"(2.54mm) pitch polarizing key

CK328 Series

- * Material: P.B.T UL 94V-1
- * Used in CH328, CH330 series housings
- * Color: Black, White

