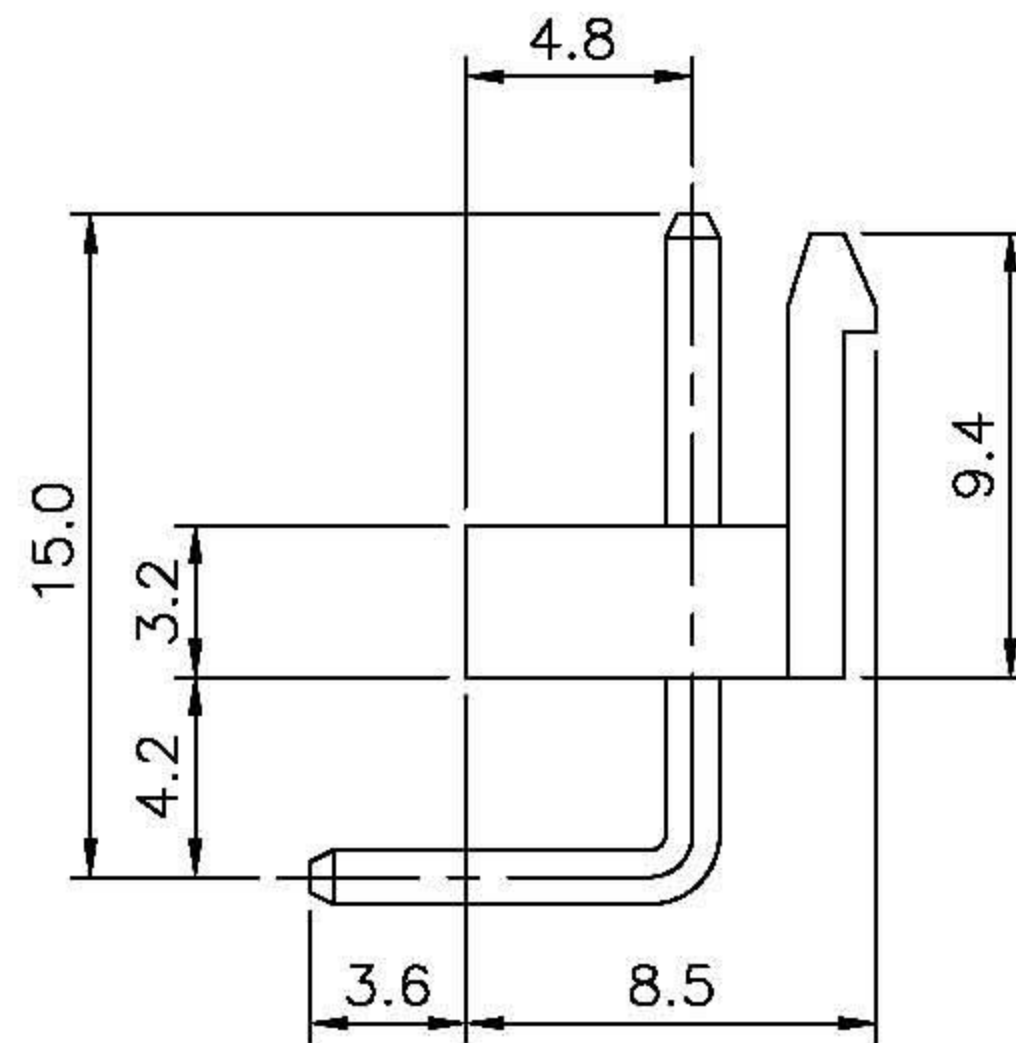
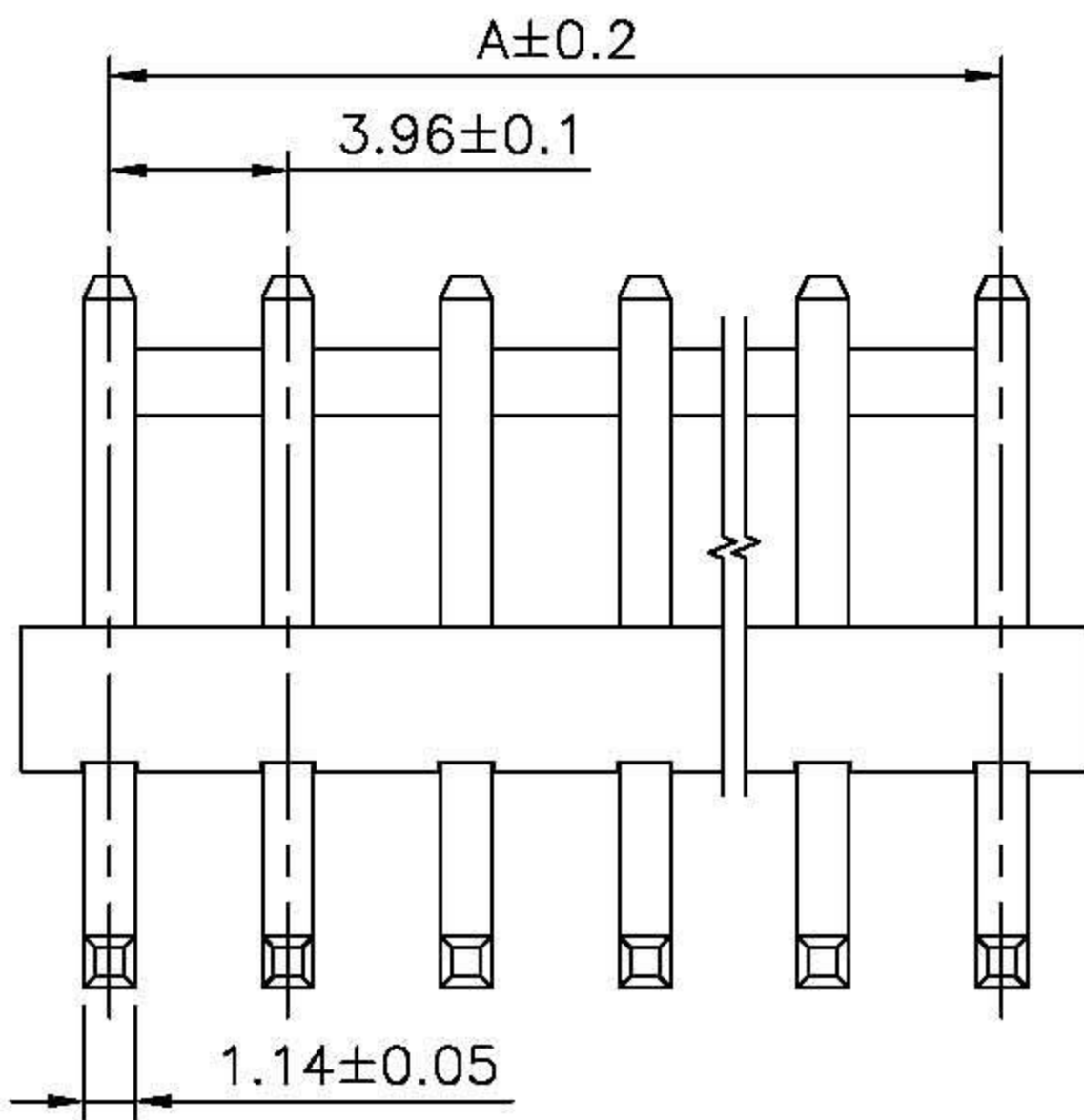


Recommmand PCB Layout



■ SPECIFICATIONS

- Voltage Rating : 250V AC/DC
- Current Rating : 7A AC/DC
- Withstanding Voltage : 1500V AC/minute
- Insulation Resistance : 1000M Ω min
- Temperature Range : - 25 $^{\circ}$ C to + 85 $^{\circ}$ C
- Contact Resistance : 20m Ω max

■ WAFER

- Part No. : JS-1120R-XXX (Right Angle)
JS-1120R-XX : GP Produces
JS-1120R-0XX : Non GP Produces
- Poles : 2~15
- Material : Contact : Brass, Tin Plated
Base : Nylon 66 UL94V-0
- Q' ty: 1000 pcs./Bag

Poles	Part No.	Dimension(mm)	
		A	B
2	JS-1120R-02	3.96	7.86
3	JS-1120R-03	7.92	11.82
4	JS-1120R-04	11.88	15.78
5	JS-1120R-05	15.84	19.74
6	JS-1120R-06	19.80	23.70
7	JS-1120R-07	23.76	27.66
8	JS-1120R-08	27.72	31.62
9	JS-1120R-09	31.68	35.58
10	JS-1120R-10	35.64	39.54
11	JS-1120R-11	39.60	43.50
12	JS-1120R-12	43.56	47.46
13	JS-1120R-13	47.52	51.42
14	JS-1120R-14	51.48	55.38
15	JS-1120R-15	55.44	59.34

PENZEL COMERCIO EXTERIOR LTDA.

PART NO JS-1120R-XX

3.96mm Crimp Style Connectors Wafer

APPROVED BY	SCALE	UNIT	TOLERANCE		LTR	REVISION RECORD	DATE
林陳鏞	3:1	mm	.0	±0.3			
CHECKED BY	PROJ	VER NO.	.00	±0.2			
林勇生		ø	.000	±0.1			
DRAWN BY	DATE	SIZE	ANGLE				
邱森鴻	2004/12/31	A4	0°	±			
			.0°	±			