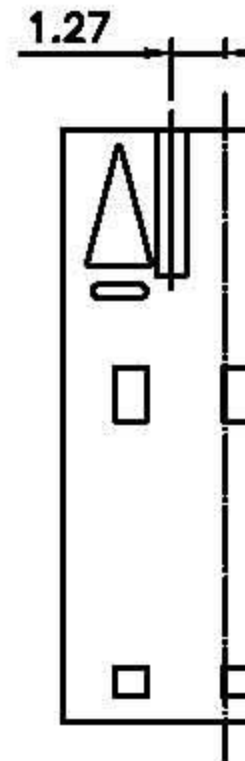
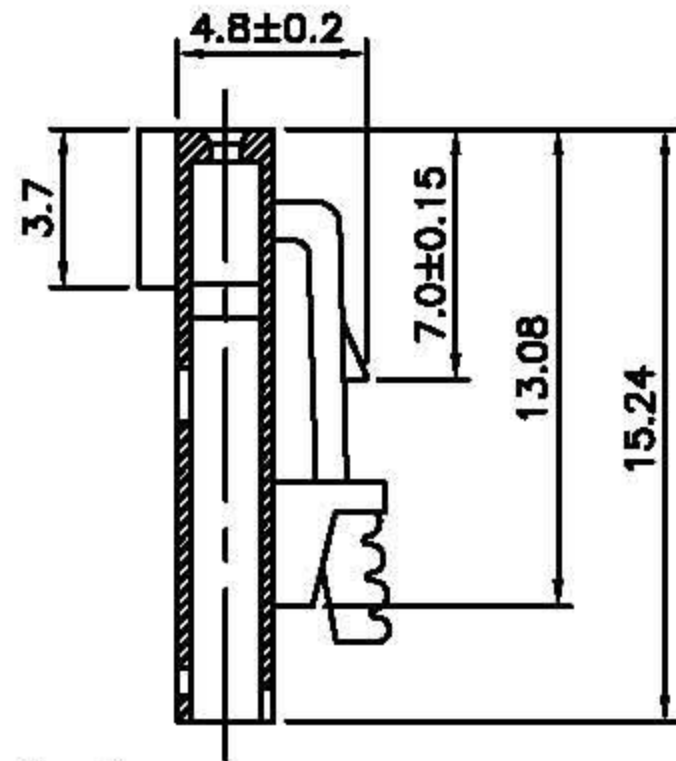
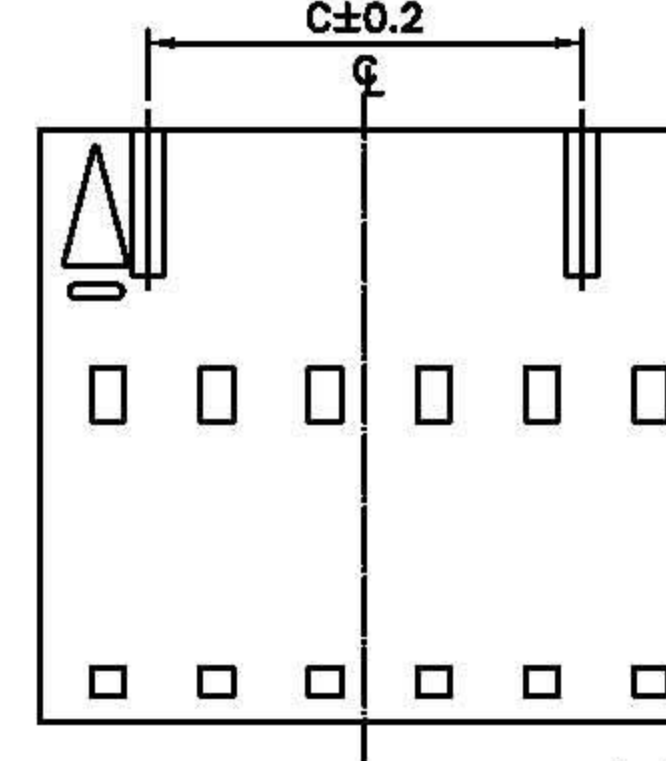
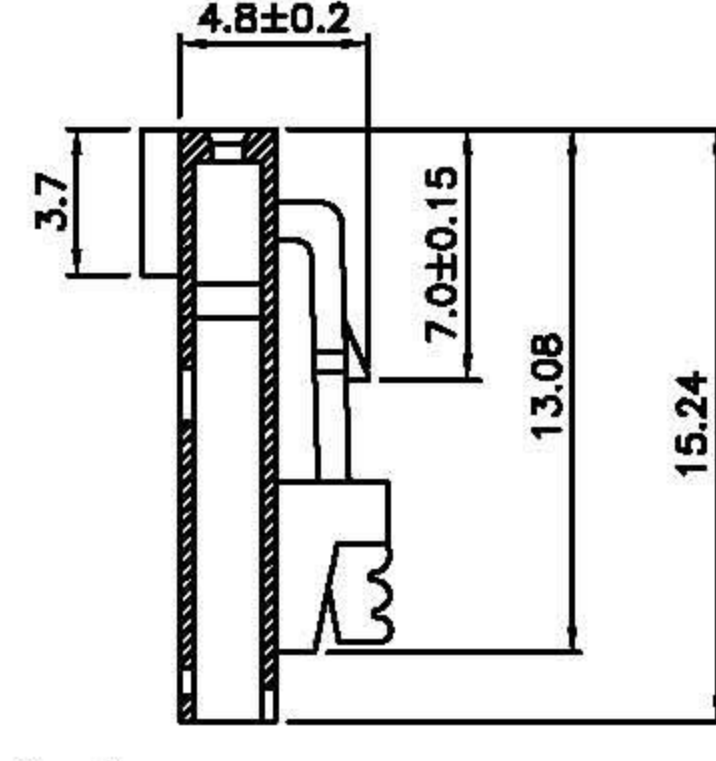


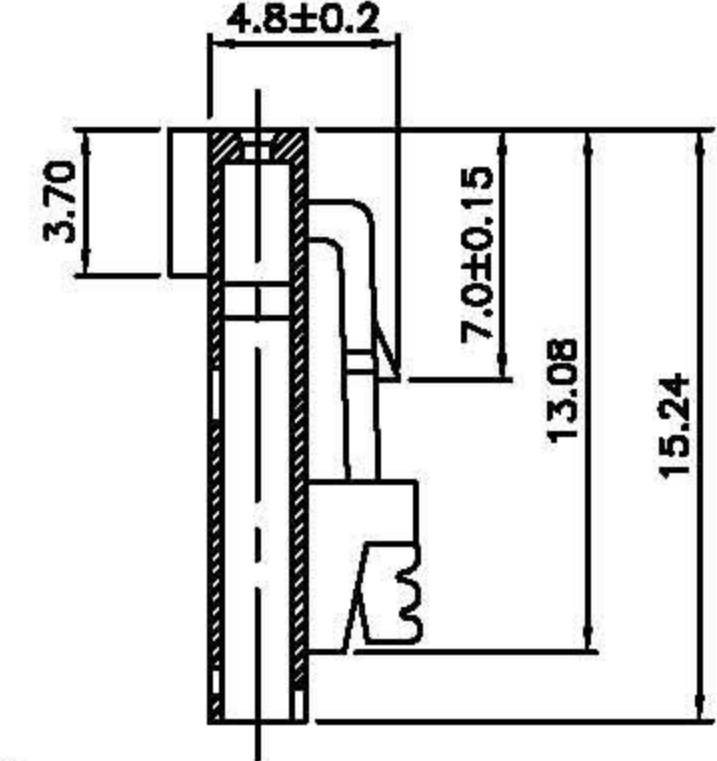
2 Circuit



3 Circuit



4~18 Circuit



■ SPECIFICATIONS

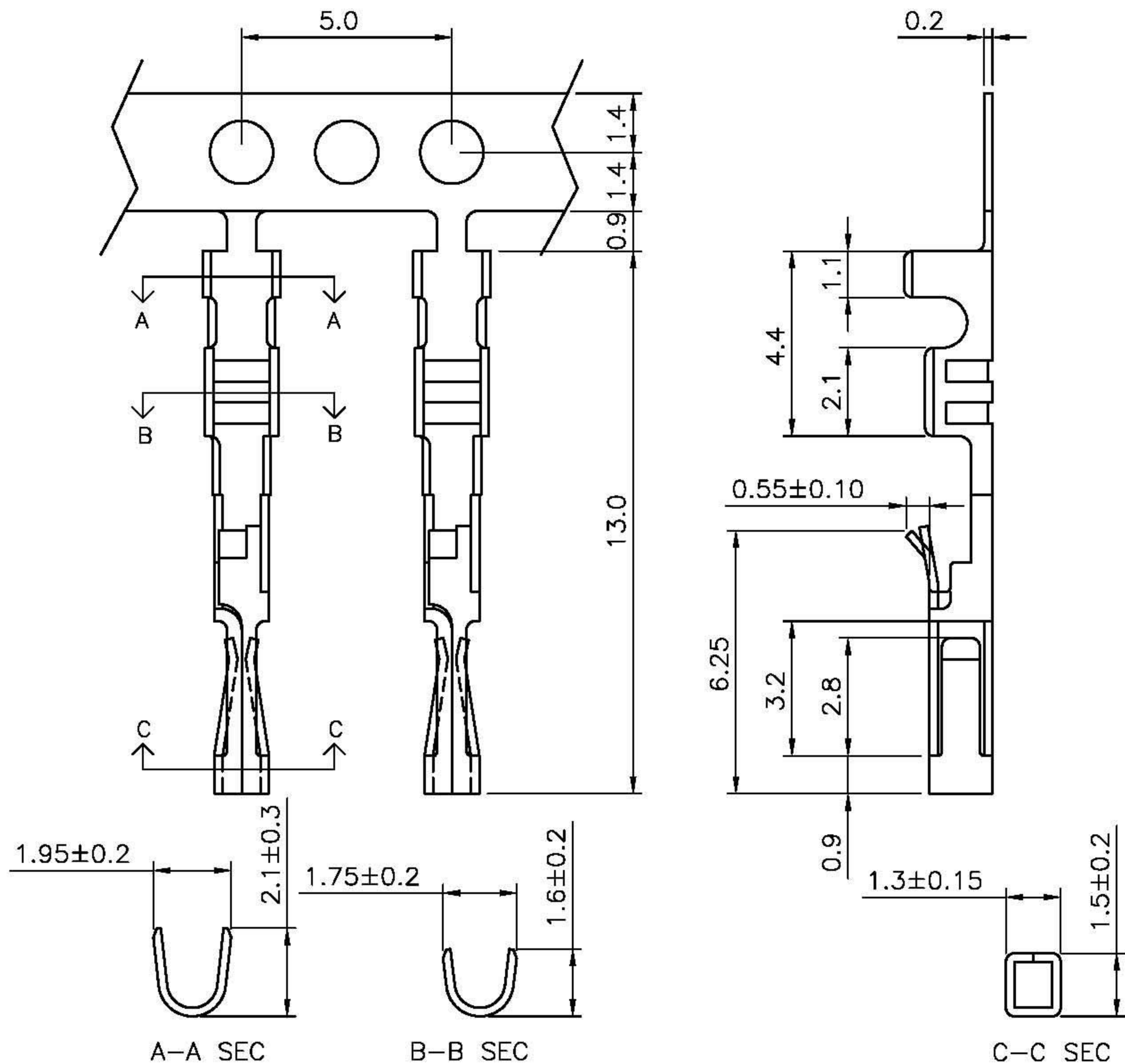
- Voltage Rating : 250 V AC/DC
- Current Rating : 3A AC/DC
- Withstanding Voltage : 1,000V AC/minute
- Insulation Resistance : 1,000MΩ min
- Temperature Range : - 25°C to + 85°C
- Contact Resistance : 20mΩ max

■ HOUSING

- Part No. : JS-1142-XX
- Poles : 2 - 18
- Material : PBT UL94V-0
- Q' ty : 1,000 pcs./Bag

Poles	Part No.	Dimensions(mm)		
		A	B	C
2	JS-1142-02	2.54	5.08	-----
3	JS-1142-03	5.08	7.62	-----
4	JS-1142-04	7.62	10.16	5.08
5	JS-1142-05	10.16	12.70	7.62
6	JS-1142-06	12.70	15.24	10.16
7	JS-1142-07	15.24	17.78	12.70
8	JS-1142-08	17.78	20.32	15.24
9	JS-1142-09	20.32	22.86	17.78
10	JS-1142-10	22.86	25.40	20.32
11	JS-1142-11	25.40	27.94	22.86
12	JS-1142-12	27.94	30.48	25.40
13	JS-1142-13	30.48	33.02	27.94
14	JS-1142-14	33.02	35.56	30.48
15	JS-1142-15	35.56	38.10	33.02
16	JS-1142-16	38.10	40.64	35.56
17	JS-1142-17	40.64	43.18	38.10
18	JS-1142-18	43.18	45.72	40.64

PENZEL COMERCIO EXTERIOR LTDA.	APPROVED BY	SCALE	UNIT	TOLERANCE	LTR	REVISION RECORD	DATE	LTR	REVISION RECORD	DATE
	林陳鏞	1:1	mm	.0 ±0.3	ECR	RoHS Compliant	06/04/01			
	CHECKED BY	PROJ	VER NO.	.00 ±0.2	ECR	200705-016	07/05/25			
PART NO JS-1142-XX			α2	.000 ±0.1	ECR	200706-013	07/06/12			
	DRAWN BY	DATE	SIZE	ALL ±						
	黃科源	2007/06/12	A4	ANGLE						
2.54mm Crimp Style Connectors Housing				0° ±						
				.0° ±						
								CUSTOMER		
Conforms to The RoHS Instruction										



■ SPECIFICATIONS

- Voltage Rating : 250 V AC/DC
- Current Rating : 3A AC/DC
- Withstanding Voltage : 1,000V AC/minute
- Insulation Resistance : 1,000MΩ min
- Temperature Range : - 25°C to + 85°C
- Contact Resistance : 20mΩ max

■ TERMINAL

- Part No. : JS-1142-T, JS-1142-T(G) : GP Produces
 - Tin Plated
 - G:Gold Plated 1u"
 - G1:Gold Plated 15u"
 - G2:Gold Plated 30u"
 - G3:Gold Plated 3u"
- Applicable Wires : AWG# 22 - 30
- Material : Phos. Bronze
- Finish : Tin Plated, Gold Plated(Gold Flash)
- Thickness : 0.2mm
- Q' ty :1,500 pcs./Reel

PENZEL COMERCIO EXTERIOR LTDA.		APPROVED BY	SCALE	UNIT	TOLERANCE	LTR	REVISION RECORD	DATE	LTR	REVISION RECORD	DATE
		林宗	6:1	mm	.0 ±0.3	ECR	DG 200608-004	06/08/15			
PART NO JS-1142-T;JS-1142-T(G)		CHECKED BY	PROJ	VER NO.	.00 ±0.2	ECR	DG 200611-003	06/11/09			
					.000 ±0.1	ECR	DG 200707-005	07/07/09			
2.54mm Crimp Style Connectors Terminal		DRAWN BY	DATE	SIZE	ALL ±				CUSTOMER		
		簡海平	2007/07/09	A4	ANGLE				Conforms to The RoHS Instruction		
					0° ±						
					.0° ±						