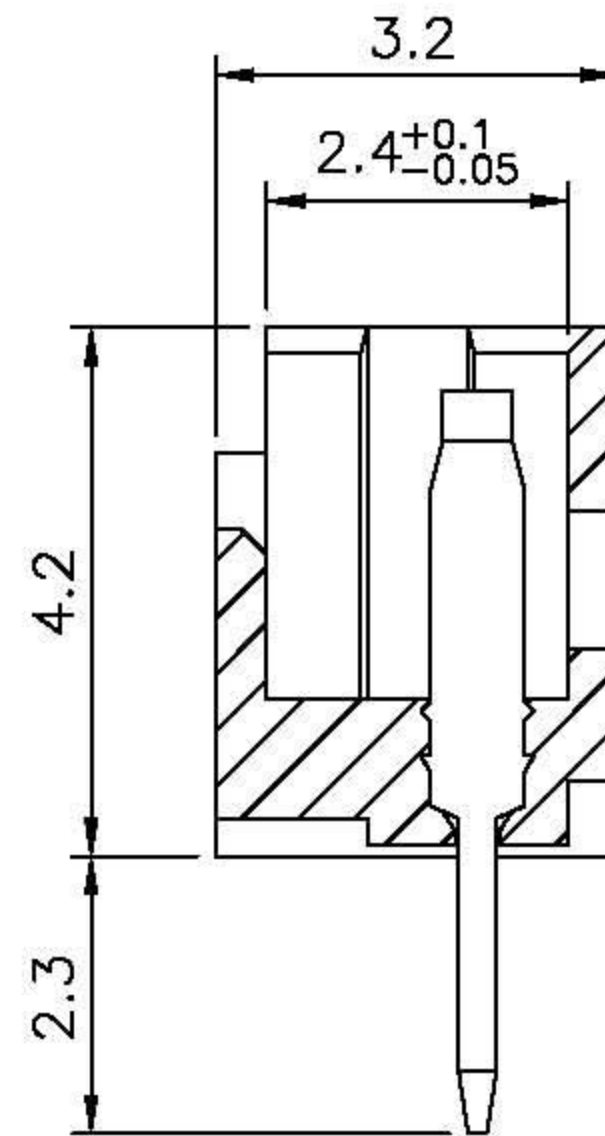
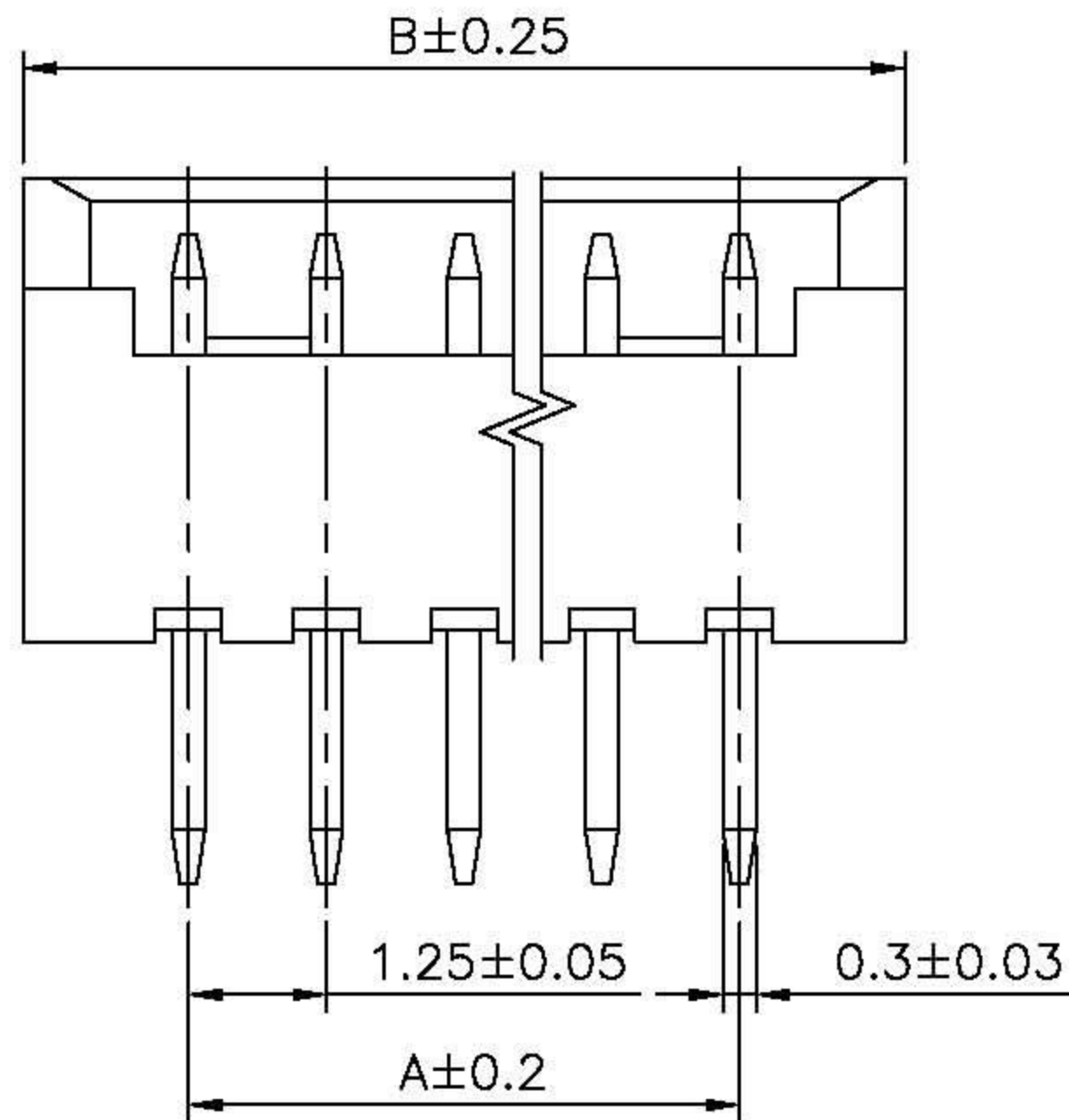


Recommand PCB Layout



■ SPECIFICATIONS

- Voltage Rating : 250V AC/DC
- Current Rating : 1A AC/DC
- Withstanding Voltage : 250V AC /minute
- Insulation Resistance : 100MΩ min
- Temperature Range : - 40°C to + 85°C
- Contact Resistance : 20mΩ max

■ WAFER

- Part No. : JS-1147-XXX (DIP Type)
JS-1147-XX : GP Produces
JS-1147-0XX : Non GP Produces
- Poles : 2 - 15
- Material : Contact : Brass, Tin Plated
Base : Nylon 66 UL94V-0
- Q' ty : 1,000 Pcs./PVC Box

Poles	Part No.	Dimensions (mm)		
		A	B	C
2	JS-1147-02	1.25	4.25	3.05
3	JS-1147-03	2.50	5.50	4.30
4	JS-1147-04	3.75	6.75	5.55
5	JS-1147-05	5.00	8.00	6.80
6	JS-1147-06	6.25	9.25	8.05
7	JS-1147-07	7.50	10.50	9.30
8	JS-1147-08	8.75	11.75	10.55
9	JS-1147-09	10.00	13.00	11.80
10	JS-1147-10	11.25	14.25	13.05
11	JS-1147-11	12.50	15.50	14.30
12	JS-1147-12	13.75	16.75	15.55
13	JS-1147-13	15.00	18.00	16.80
14	JS-1147-14	16.25	19.25	18.05
15	JS-1147-15	17.50	20.50	19.30

PENZEL COMERCIO EXTERIOR LTDA.		APPROVED BY	SCALE	UNIT	TOLERANCE		LTR	REVISION RECORD	DATE
		林陳鏢	8:1	mm	.0	±0.3			
PART NO JS-1147-XX		CHECKED BY	PROJ	VER NO.	.00	±0.2			
		林勇生			.000	±0.1			
1.25mm Crimp Style Connectors Wafer <DIP>		DRAWN BY	DATE	SIZE	ANGLE				
		邱森鴻	2004/12/31	A4	0°	±			
					.0°	±			