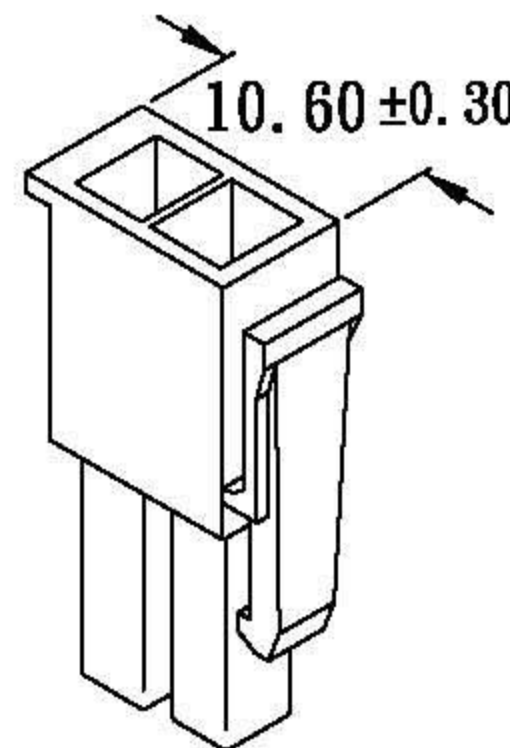
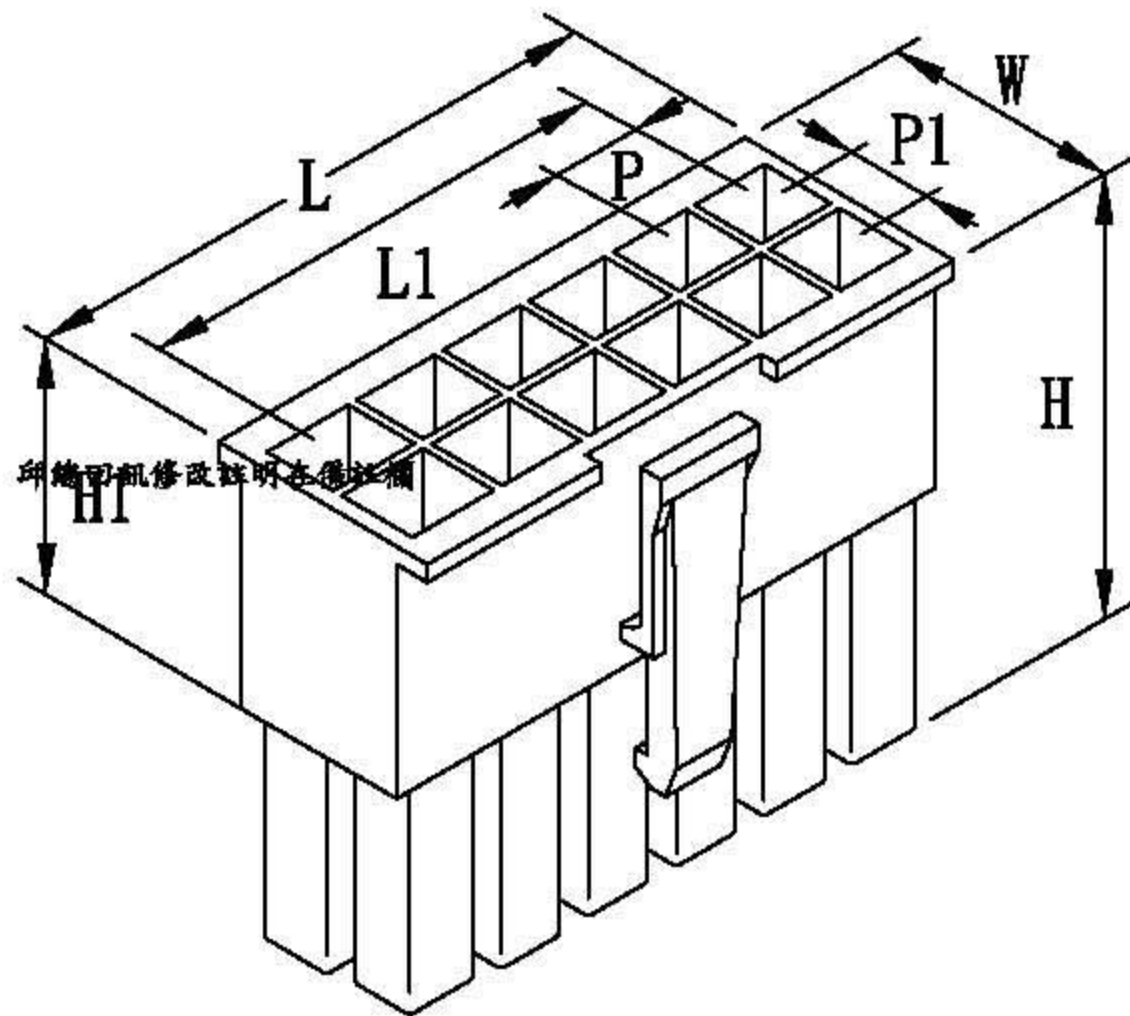


產品成品圖

(Finish Of Product Drawing)

PENZEL
COMERCIO EXTERIOR LTDA.

4.2 HOUSING



| | L | L1 |
|----|-------|-------|
| 2 | 5.40 | |
| 4 | 9.60 | 4.20 |
| 6 | 13.80 | 8.40 |
| 8 | 18.00 | 12.60 |
| 10 | 22.20 | 16.80 |
| 12 | 26.40 | 21.00 |
| 14 | 30.60 | 25.20 |
| 16 | 34.80 | 29.40 |
| 18 | 39.00 | 33.60 |
| 20 | 43.20 | 37.80 |
| 22 | 47.40 | 42.00 |
| 24 | 51.60 | 46.20 |

尺寸 (Dimension)

單位 (Unit): mm

| | | | |
|----------------|-----------------|-----------------|------------------|
| P: 4.20 ± 0.10 | H: 19.60 ± 0.30 | W: 11.60 ± 0.30 | H1: 10.80 ± 0.30 |
| L: **** ± 1.00 | L1: **** ± 0.20 | P1: 4.20 ± 0.10 | |

產品編號: (PART NO): **P2-I42002 TO P24-I42002**

材 質: (MATERIAL): **NYLON 66 94V-2 WHITE (白色)**

對插端子: (SUITABLE TERMINAL): **I42002BS, PS**

包裝數量: (STANDARD PACKING): **2 1000PCS 4. 6. 8 500PCS
10. 12. 14. 16. 18. 20. 22. 24 200PCS**

配合塑膠: (ACCEPTS HOUSING): **P2-I42001 TO P24-I42001**

絕緣阻抗: (INSULATION RESISTANCE): **1000 MΩ MIN**

耐 電 壓: (WITHSTANDING VOLTAGE): **1000V AC/MINUTE**

適用溫度: (TEMPERATURE RANGE): **-25°C TO +85°C**

電 流: (CURRENT RATING): **7A AC/DC**

電 壓: (VOLTAGE RATING): **250V AC/DC**

UL NO: **E 149293**

CSA NO: **177229**

TUV NO: **BL 97 05 28124 007**

備註: **P2-I42002Z TO P24-I42002Z (如需材質: NYLON 66 94V-0 WHITE)**

| Circuits | 2 | 4-6 | 8-10 | 12-24 |
|----------|----|-----|------|-------|
| AWG# 16 | 8A | 7A | 6A | 6A |
| AWG# 18 | 7A | 6A | 5A | 5A |
| AWG# 20 | 6A | 5A | 4A | 4A |
| AWG# 22 | 5A | 4A | 3A | 3A |

(追加)

| 版次 | 日期 | 修改內容 | 修改者 | 核對者 | 製表者 | 校對者 | 日期 | 件號 |
|----|----------|------|-----|-----|-----|-----|----------|----------|
| 5 | 92.06.30 | (追加) | 施秀英 | | 施秀英 | 吳成發 | 85.12.03 | QPI42002 |