

- SPECIFICATIONS
- Voltage Rating : 50 V AC/DC
- Current Rating : 0.5A AC/DC
- Withstanding Voltage : 250V AC/minute
- Insulation Resistance : 50MΩ min
- Temperature Range : - 20°C to + 85°C
- Contact Resistance : 20mΩ max
- FFC/PPC ZIF CONNECTORS (SMT Type)
- Part No. : JS-1191V (Straight Style)
- Poles : 4 - 39
- Material : Contact : Phos. Bronze, Tin Plated
- Base : PPS UL94V-0
- Q'ty : 1,000 pcs./Tape & Reel

Poles	Part No.	Dimensions (mm)				
		A	B	C	D	E
4	JS-1191V-4	6.00	7.50	1.50	2.62	1.50
5	JS-1191V-5	6.50	8.00	2.00	3.12	2.00
6	JS-1191V-6	7.00	8.50	2.50	3.62	2.50
7	JS-1191V-7	7.50	9.00	3.00	4.12	3.00
8	JS-1191V-8	8.00	9.50	3.50	4.62	3.50
9	JS-1191V-9	8.50	10.00	4.00	5.12	4.00
10	JS-1191V-10	9.00	10.50	4.50	5.62	4.50
11	JS-1191V-11	9.50	11.00	5.00	6.12	5.00
12	JS-1191V-12	10.00	11.50	5.50	6.62	5.50
13	JS-1191V-13	10.50	12.00	6.00	7.12	6.00
14	JS-1191V-14	11.00	12.50	6.50	7.62	6.50
15	JS-1191V-15	11.50	13.00	7.00	8.12	7.00
16	JS-1191V-16	12.00	13.50	7.50	8.62	7.50
17	JS-1191V-17	12.50	14.00	8.00	9.12	8.00
18	JS-1191V-18	13.00	14.50	8.50	9.62	8.50
19	JS-1191V-19	13.50	15.00	9.00	10.12	9.00
20	JS-1191V-20	14.00	15.50	9.50	10.62	9.50
21	JS-1191V-21	14.50	16.00	10.00	11.12	10.00
22	JS-1191V-22	15.00	16.50	10.50	11.62	10.50
23	JS-1191V-23	15.50	17.00	11.00	12.12	11.00
24	JS-1191V-24	16.00	17.50	11.50	12.62	11.50
25	JS-1191V-25	16.50	18.00	12.00	13.12	12.00
26	JS-1191V-26	17.00	18.50	12.50	13.62	12.50
27	JS-1191V-27	17.50	19.00	13.00	14.12	13.00
28	JS-1191V-28	18.00	19.50	13.50	14.62	13.50
29	JS-1191V-29	18.50	20.00	14.00	15.12	14.00
30	JS-1191V-30	19.00	20.50	14.50	15.62	14.50
31	JS-1191V-31	19.50	21.00	15.00	16.12	15.00
32	JS-1191V-32	20.00	21.50	15.50	16.62	15.50
33	JS-1191V-33	20.50	22.00	16.00	17.12	16.00
34	JS-1191V-34	21.00	22.50	16.50	17.62	16.50
35	JS-1191V-35	21.50	23.00	17.00	18.12	17.00
36	JS-1191V-36	22.00	23.50	17.50	18.62	17.50
37	JS-1191V-37	22.50	24.00	18.00	19.12	18.00
38	JS-1191V-38	23.00	24.50	18.50	19.62	18.50
39	JS-1191V-39	23.50	25.00	19.00	20.12	19.00

0.50mm FFC/PPC ZIF SMT type connectors -Single beam contact style

PENZEL COMERCIO EXTERIOR LTDA.

ECR 200307-004 2003/07/15

APPROVED BY 林東鏗 2003/07/17 SCALE 4:1

REVISION RECORD

CHECKED BY 林勇生 UNIT mm

DATE

DRAWN BY 林東鏗 VER NO. B1 SIZE A4

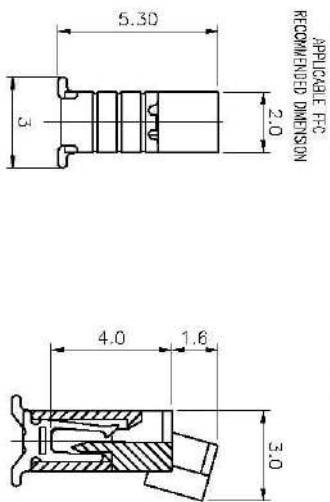
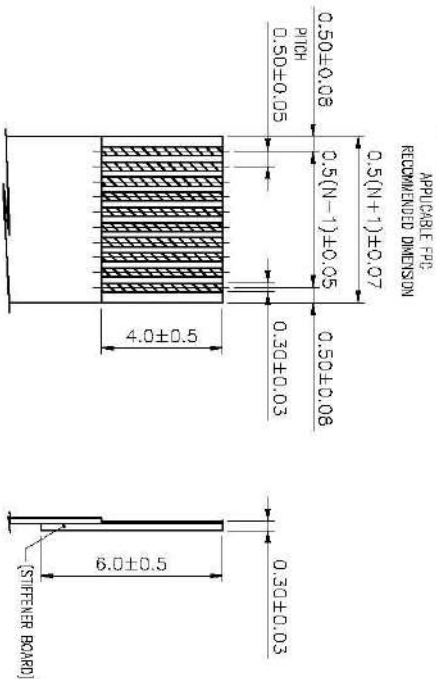
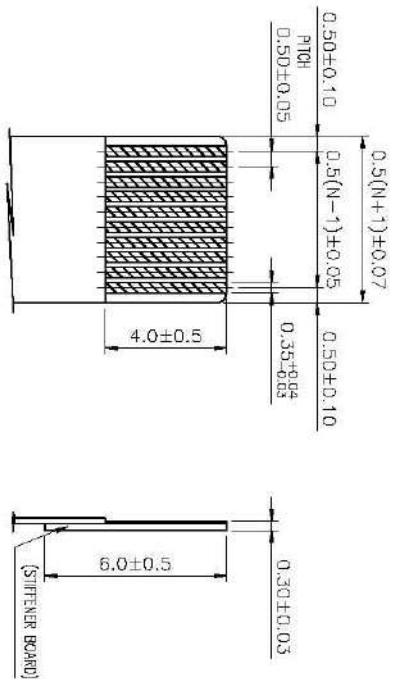
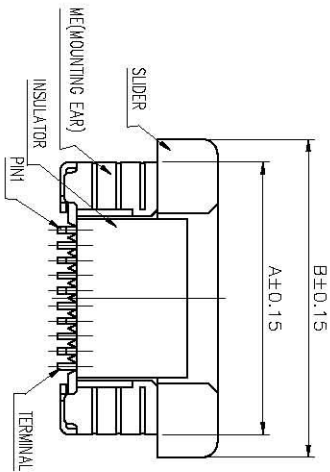
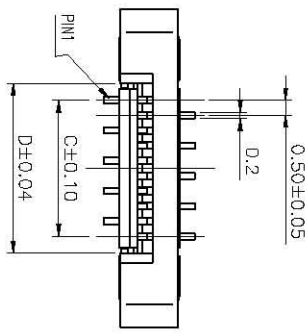
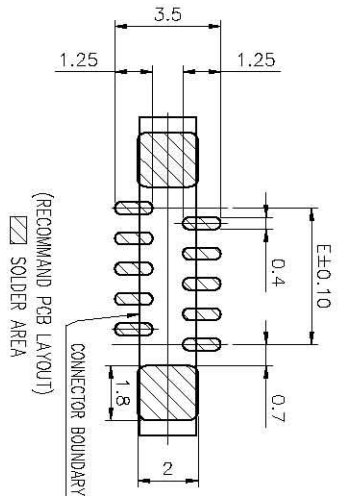
LTR

PART NO JS-1191V-XX

TOLERANCE

.0	±0.30
.00	±0.20
.000	±0.10

4 - 39 Pin



Poles	Part No.	Dimensions (mm)				
		A	B	C	D	E
40	JS-1191V-40	24.00	25.50	19.50	20.62	19.50
41	JS-1191V-41	24.80	26.30	20.00	21.12	20.00
42	JS-1191V-42	25.00	26.50	20.50	21.62	20.50
43	JS-1191V-43	25.50	27.00	21.00	22.12	21.00
44	JS-1191V-44	26.00	27.50	21.50	22.62	21.50
45	JS-1191V-45	26.50	28.00	22.00	23.12	22.00
46	JS-1191V-46	27.00	28.50	22.50	23.62	22.50
47	JS-1191V-47	27.50	29.00	23.00	24.12	23.00
48	JS-1191V-48	28.00	29.50	23.50	24.62	23.50
49	JS-1191V-49	28.50	30.00	24.00	25.12	24.00
50	JS-1191V-50	29.00	30.50	24.50	25.62	24.50

- SPECIFICATIONS
  - Voltage Rating : 50 V AC/DC
  - Current Rating : 0.5A AC/DC
  - Withstanding Voltage : 250V AC/minute
  - Insulation Resistance : 50M Ω min
  - Temperature Range : -20°C to +85°C
  - Contact Resistance : 20m Ω max
- FFC/FPC ZIF CONNECTORS (SMT Type)
  - Part No. : JS-1191V (Straight Style)
  - Poles : 40 - 50
  - Material : Contact : Phos. Bronze, Tin Plated
  - Base : PPS UL94V-0
  - Q'ty : 1,000 pcs./Tape & Reel

0.50mm FFC/FPC ZIF SMT type connectors -Single beam contact style

ECR 200307-004 2003/07/15

PENZEL COMERCIO EXTERIOR LTDA.

APPROVED BY 林秉傑 DATE 2003/07/17 SCALE 4:1

CHECKED BY 林勇生 UNIT mm

DRAWN BY 邱泰鴻 VER. NO. B1 SIZE A4

TOLERANCE  
 .0 ±0.30  
 .00 ±0.20  
 .000 ±0.10

PART NO

JS-1191V-XX  
 40 - 50 Pin

LTR REVISION RECORD

DATE