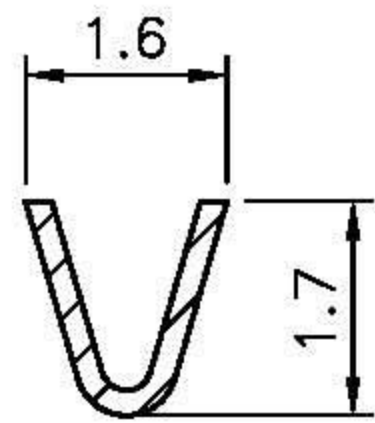


■ SPECIFICATIONS

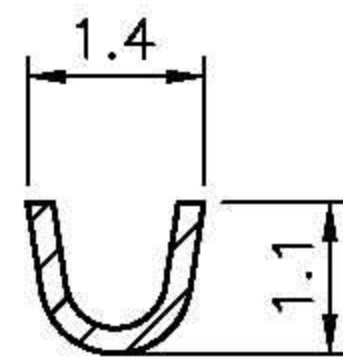
- Voltage Rating : 150V AC/DC
- Current Rating : 1A AC/DC
- Withstanding Voltage : 500V AC/minute
- Insulation Resistance : 500MΩ min
- Temperature Range : - 25°C to + 85°C
- Contact Resistance : 30mΩ max

■ TERMINAL

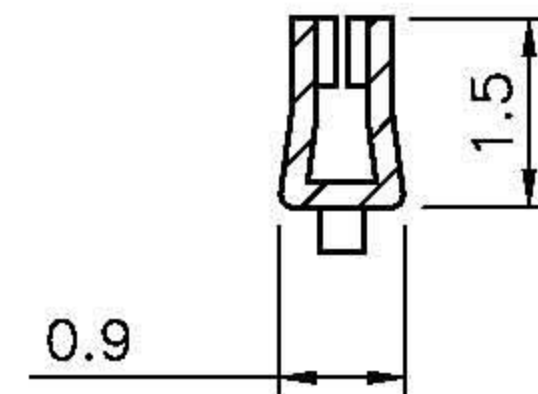
- Part No. : JS-1255-XT
JS-1255-T : GP Produces
JS-1255-0T : Non GP Produces
- Applicable Wires : AWG# 28 - 32
- Material : Phos. Bronze
- Finish : Tin Plated
- Thickness : 0.15mm
- Q' ty : 15000pcs./Reel



A-A SEC



B-B SEC



C-C SEC

PENZEL COMERCIO EXTERIOR LTDA.	APPROVED BY	SCALE	UNIT	TOLERANCE		LTR	REVISION RECORD	DATE
	林陳鏞	8:1	mm	.0	±0.3			
PART NO JS-1255-T	CHECKED BY	PROJ	VER NO.	.00	±0.2			
	曲智浩	⊕	a1	.000	±0.1			
1.25mm Crimp Style connectors Terminal	DRAWN BY	DATE	SIZE	ANGLE				
	曲智浩	2005/07/22	A4	0°	±			
				.0°	±			