

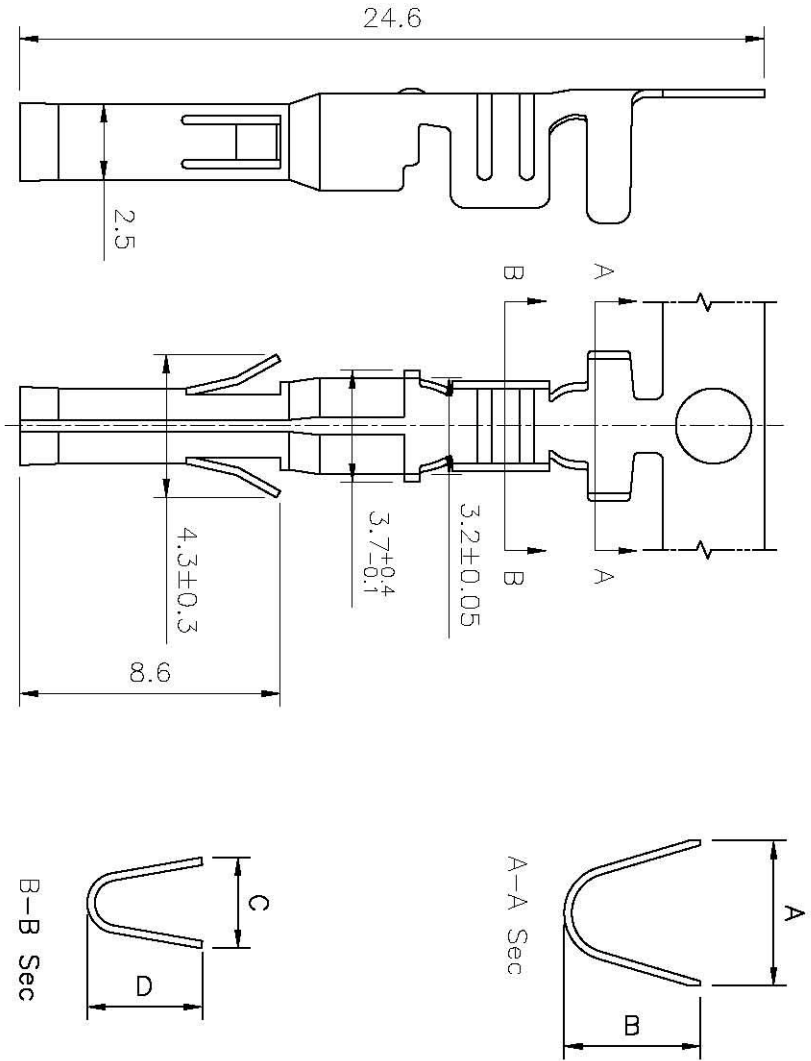
**SPECIFICATIONS**

- Voltage Rating : 300 - 600 V AC/DC
- Current Rating : 9 - 15A AC/DC
- Withstanding Voltage : 1,500V AC/minute
- Insulation Resistance : 1,000M $\Omega$  min
- Temperature Range : - 25 $^{\circ}$ C to + 85 $^{\circ}$ C
- Contact Resistance : 20m $\Omega$  max

**HOUSING**

- Part No. : JS-2000W
- Poles : 1, 2, 3, 4, 6, 9, 12, 15
- Material : Nylon 66 UL94V-2
- Q'ty : 1,000 pcs./Bag

<b>PENZEL COMERCIO EXTERIOR LTDA.</b>		APPROVED BY	SCALE	UNIT	TOLERANCE	LTR	REVISION RECORD	DATE
PART NO	JS-2000W-XX	林陳樂	4:1	mm	.0 $\pm$ 0.3	ECR	200404-006	2004/04/07
		CHECKED BY	PROJ	VER NO.	.00 $\pm$ 0.2			
		林勇生		A1	.000 $\pm$ 0.1			
		DRAWN BY	DATE	SIZE	ANGLE			
		邱森瑞	2004/05/03	A4	0 $^{\circ}$ $\pm$			
$\phi$ 2.00mm Power connectors Housing								



- SPECIFICATIONS**
- Voltage Rating : 300-600V AC/DC
  - Current Rating : 9-15A AC/DC
  - Withstanding Voltage : 1,500V AC/minute
  - Insulation Resistance : 1,000MΩ min.
  - Temperature Range : - 25°C to + 85°C
  - Contact Resistance : 20mΩ max.

- TERMINAL**
- Part No. : JS-2000W-TH, JS-2000W-TL
  - Applicable Wires : JS-2000W-TH : AWG# 14 - 18  
JS-2000W-TL : AWG# 18 - 22
  - Material : Brass
  - Finish : Tin Plated
  - Thickness : 0.25mm
  - Q' ty : JS-2000W-TH : 3,500 pcs./Reel  
JS-2000W-TL : 5,000 pcs./Reel

Part No.	Dimensions(mm)±0.4			
	A	B	C	D
JS-2000W-TH	4.80	4.50	3.00	3.80
JS-2000W-TL	4.10	3.30	2.50	2.20

2.00mm Power connectors Terminal

PENZEL COMERCIO EXTERIOR LTDA.

TOLERANCE

0	±0.3
.0	±0.2
.00	±0.15
.000	±0.10

APPROVED BY

林東樂	DATE	SCALE
	2003/07/25	4:1

CHECKED BY

林勇生	UNIT
	mm

DRAWN BY

林東樂	VER NO.	SIZE
	A	A4

2.00mm Power connectors Terminal		PART NO	
LTR	REVISION RECORD	DATE	JS-2000W-TH
			JS-2000W-TL