

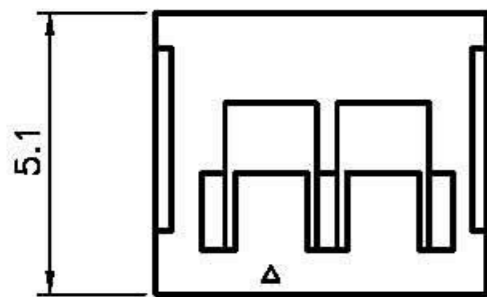
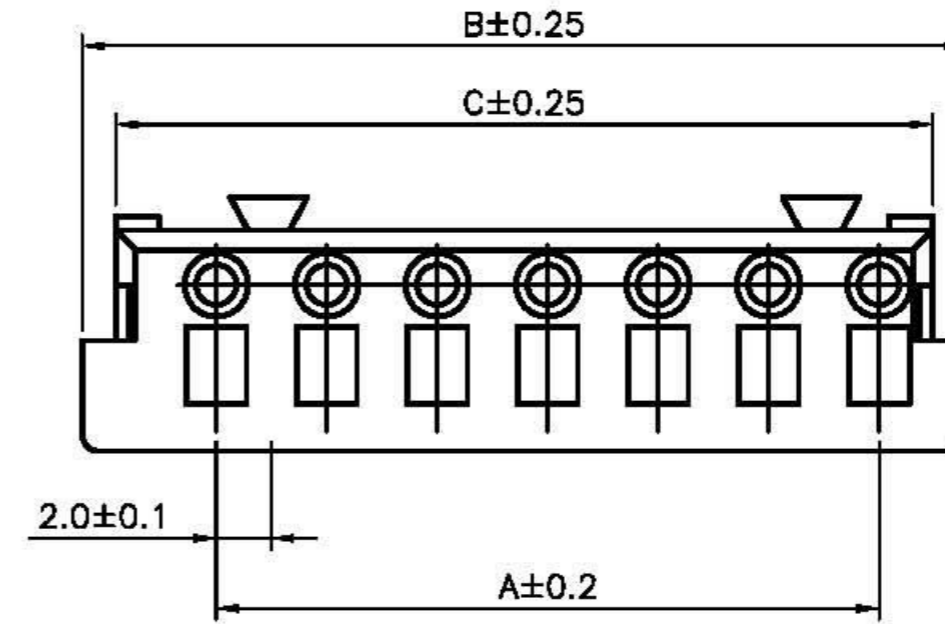
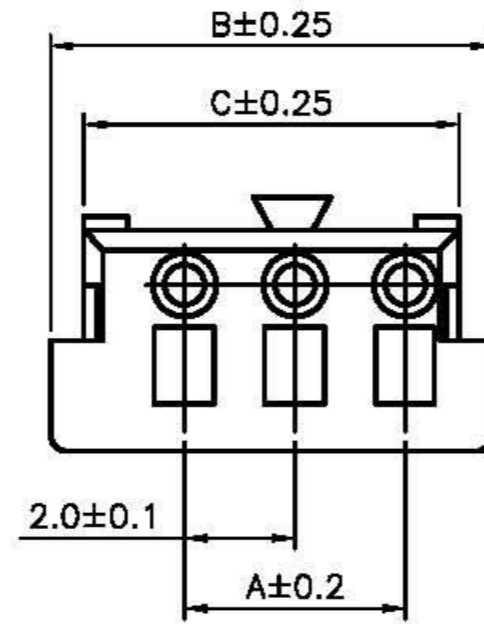
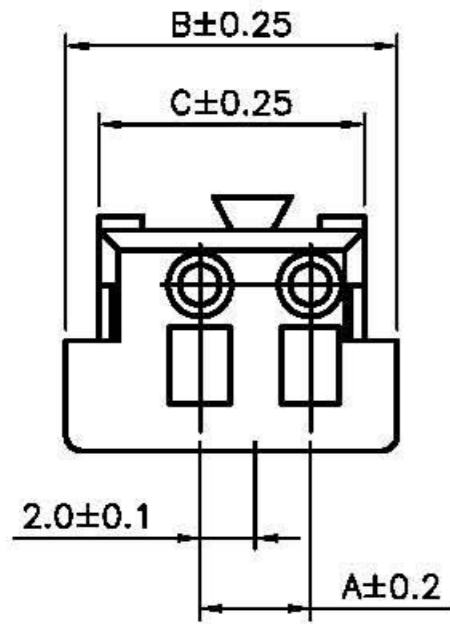
Poles	Part No.	Dimensions(mm)			Poles	Part No.	Dimensions(mm)		
		A	B	C			A	B	C
2	JS-2005-02	2.00	6.00	4.80	9	JS-2005-09	16.00	20.00	18.80
3	JS-2005-03	4.00	8.00	6.80	10	JS-2005-10	18.00	22.00	20.80
4	JS-2005-04	6.00	10.00	8.80	11	JS-2005-11	20.00	24.00	22.80
5	JS-2005-05	8.00	12.00	10.80	12	JS-2005-12	22.00	26.00	24.80
6	JS-2005-06	10.00	14.00	12.80	13	JS-2005-13	24.00	28.00	26.80
7	JS-2005-07	12.00	16.00	14.80	14	JS-2005-14	26.00	30.00	28.80
8	JS-2005-08	14.00	18.00	16.80	15	JS-2005-15	28.00	32.00	30.80

■ SPECIFICATIONS

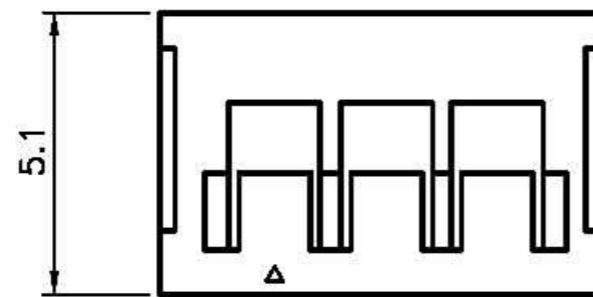
- Voltage Rating : 250V AC/DC
- Current Rating: 2A AC/DC
- Withstanding Voltage : 800V AC/minute
- Insulation Resistance : 1,000MΩ min
- Temperature Range : - 25°C to + 85°C
- Contact Resistance : 20mΩ max

■ HOUSING

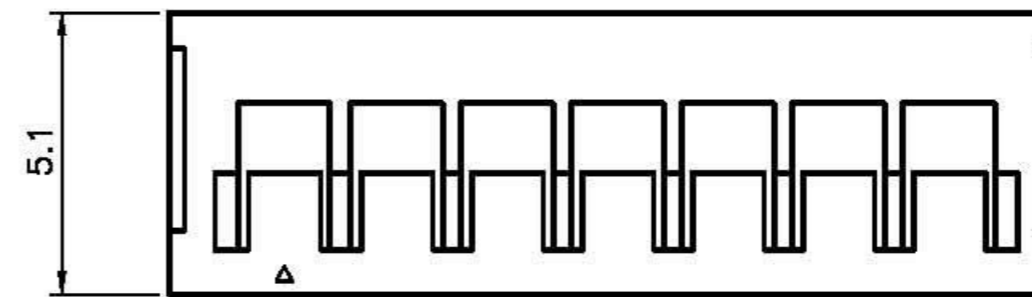
- Part No. : JS-2005-XX
- Poles : 2-15
- Material : Nylon 66 UL94V-0
- Q' ty: 1,000 pcs./Bag



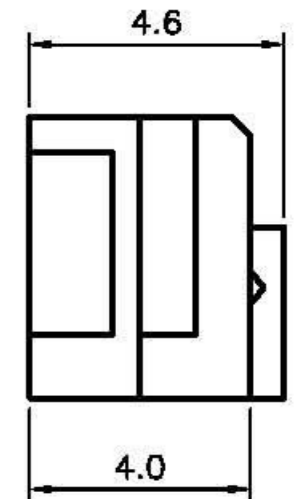
2 Circuit



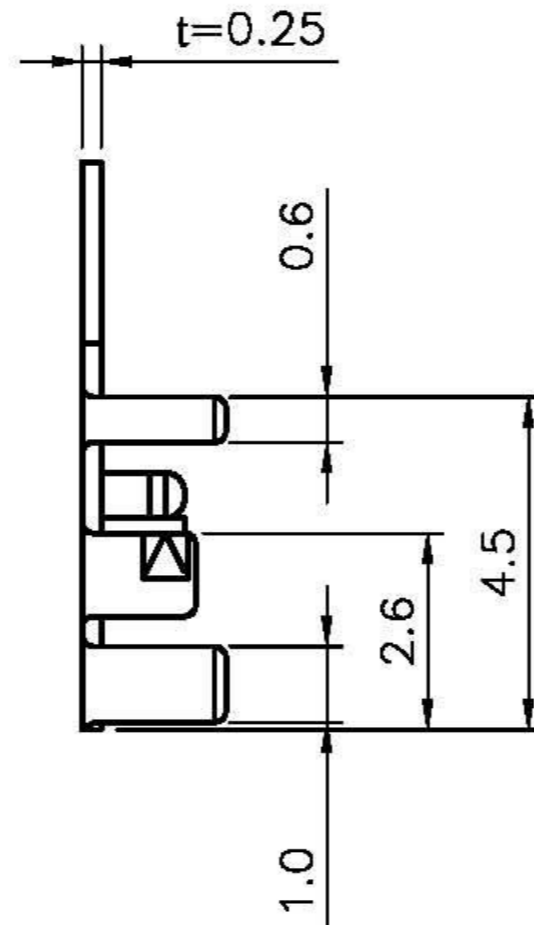
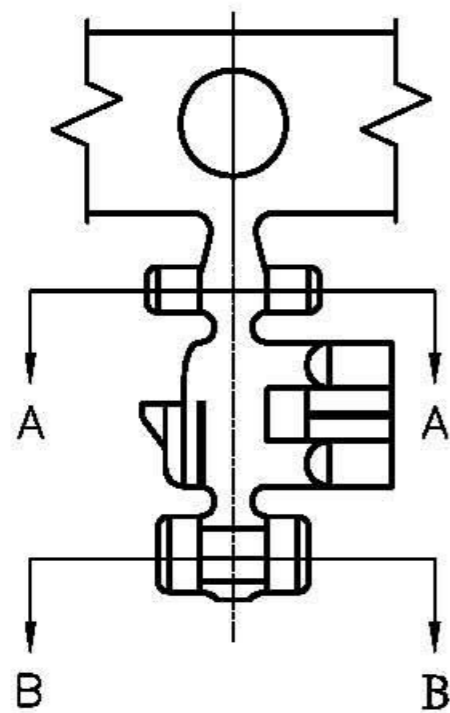
3 Circuit



4~15 Circuit



PENZEL COMERCIO EXTERIOR LTDA.	APPROVED BY	SCALE	UNIT	TOLERANCE		LTR	REVISION RECORD	DATE	LTR	REVISION RECORD	DATE
	林宗		mm	.0	±0.3	ECR	RoHS Compliant	06/04/01			
	CHECKED BY	PROJ	VER NO.	.00	±0.2	ECR	200707-002	07/07/03			
PART NO	JS-2005-XX		α2	.000	±0.1				CUSTOMER		
2.00mm Crimp Style Connectors Housing	黄科源	2007/07/03	A4	ALL	±						
				ANGLE				Conforms to The RoHS Instruction			
				0°	±						
				.0°	±						

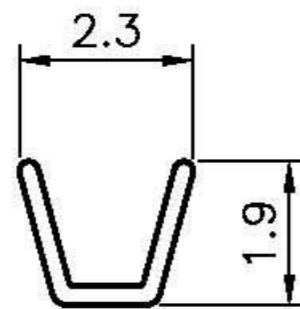


■ SPECIFICATIONS

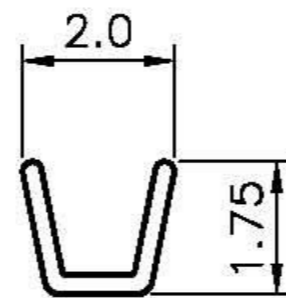
- Voltage Rating : 250V AC/DC
- Current Rating : 2A AC/DC
- Withstanding Voltage : 800V AC/minute
- Insulation Resistance : 1000MΩ min
- Temperature Range : - 25°C to + 85°C
- Contact Resistance : 20mΩ max

■ TERMINAL

- Part No. : JS-2005-T
- Applicable Wires : AWG # 22 - 26
- Material : Phosphor. Bronze
- Finish : Tin Plated
- Thickness : 0.25mm
- Q' ty : 15,000 pcs./Reel



A-A SEC



B-B SEC

PENZEL COMERCIO EXTERIOR LTDA.		APPROVED BY	SCALE	UNIT	TOLERANCE		LTR	REVISION RECORD	DATE	LTR	REVISION RECORD	DATE
		林宗		mm	.0	±0.3	ECR	RoHS compliant	07/01/02			
PART NO JS-2005-T		CHECKED BY	PROJ	VER NO.	.00	±0.2	ECR	200707-012	07/07/10			
					.000	±0.1						
2.00mm crimp style Connectors Terminal		DRAWN BY	DATE	SIZE	ALL	±				CUSTOMER		
		黃科源	2007/07/10	A4		ANGLE					Conforms to The RoHS Instruction	
					0°	±						
					.0°	±						