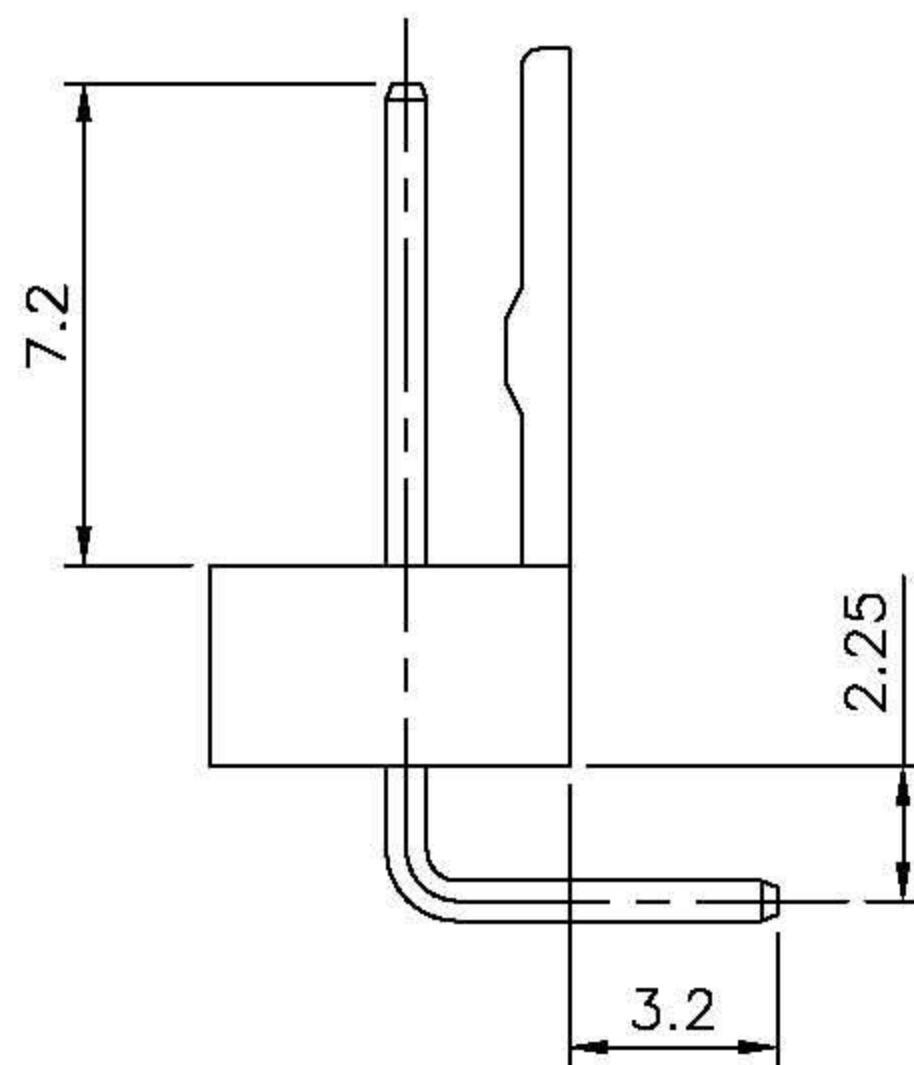
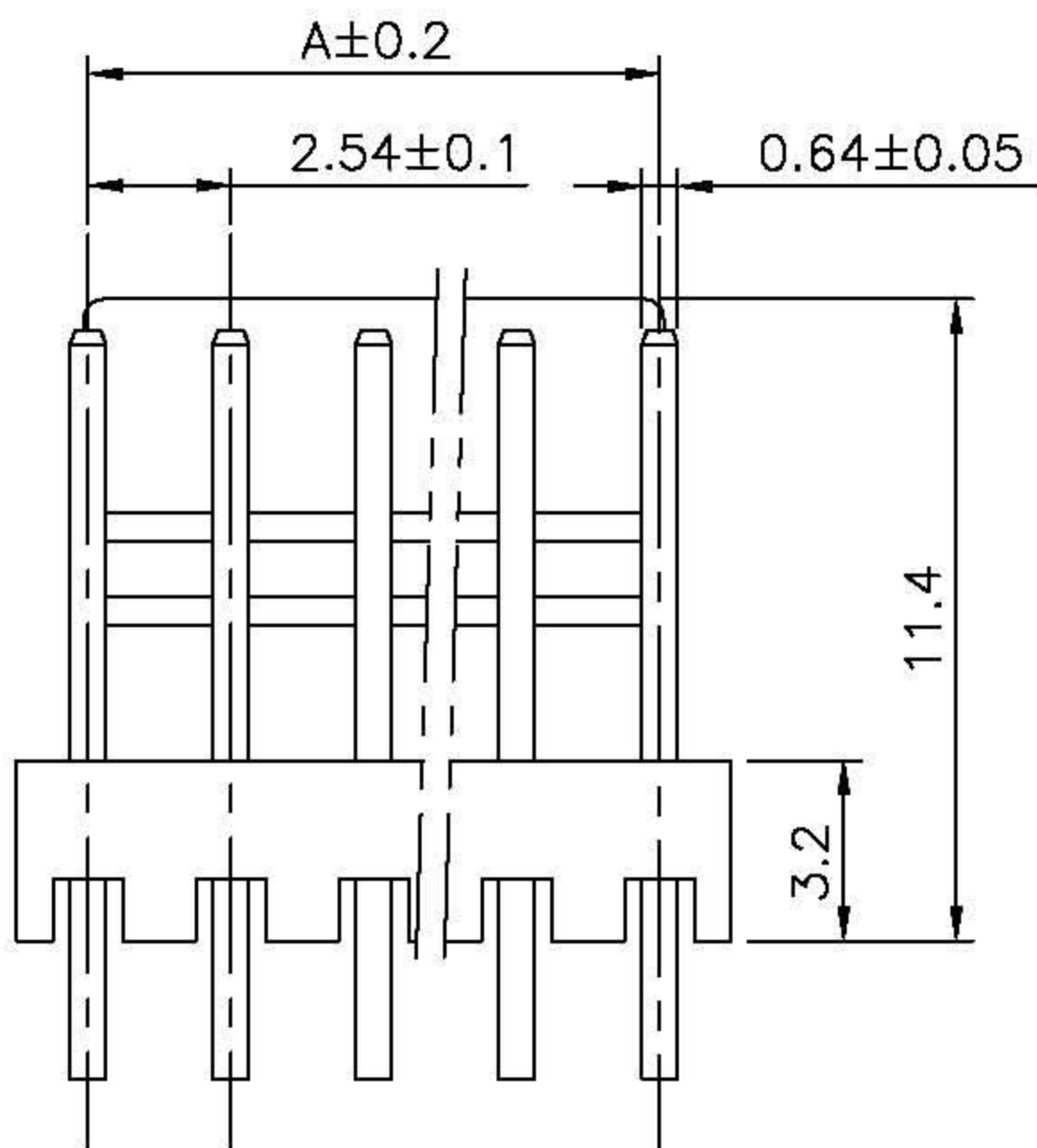


Recommand PCB Layout



■ SPECIFICATIONS

- Voltage Rating : 250V AC/DC
- Current Rating : 3A AC/DC
- Withstanding Voltage : 1000V AC/minute
- Insulation Resistance : 1000MΩ min
- Temperature Range : - 25°C to + 85°C
- Contact Resistance : 20mΩ max

■ WAFER

- Part No. : JS-7001-XXX
JS-7001-XX : GP Produces
JS-7001-0XX : Non GP Produces
- PolesN : 2-15
- Material : Contact : Brass, Tin Plated
Base : Nylon 66 UL94V-2
- Q' ty : 1000 pcs./Bag

Poles	Part No.	Dimensions(mm)	
		A	B
2	JS-7001-02	2.54	5.08
3	JS-7001-03	5.08	7.62
4	JS-7001-04	7.62	10.16
5	JS-7001-05	10.16	12.70
6	JS-7001-06	12.70	15.24
7	JS-7001-07	15.24	17.78
8	JS-7001-08	17.78	20.32
9	JS-7001-09	20.32	22.86
10	JS-7001-10	22.86	25.40
11	JS-7001-11	25.40	27.94
12	JS-7001-12	27.94	30.48
13	JS-7001-13	30.48	33.02
14	JS-7001-14	33.02	35.56
15	JS-7001-15	35.56	38.10

PENZEL COMERCIO EXTERIOR LTDA.		APPROVED BY	SCALE	UNIT	TOLERANCE		LTR	REVISION RECORD	DATE
		林陳鏢	4:1	mm	.0	±0.3			
PART NO JS-7001-XX		CHECKED BY	PROJ	VER NO.	.00	±0.2			
		林勇生			.000	±0.1			
2.54mm Crimp Style Connectors Wafer		DRAWN BY	DATE	SIZE	ANGLE				
		邱森鴻	2004/12/31	A4	0°	±			
					.0°	±			