

Ordering Information:

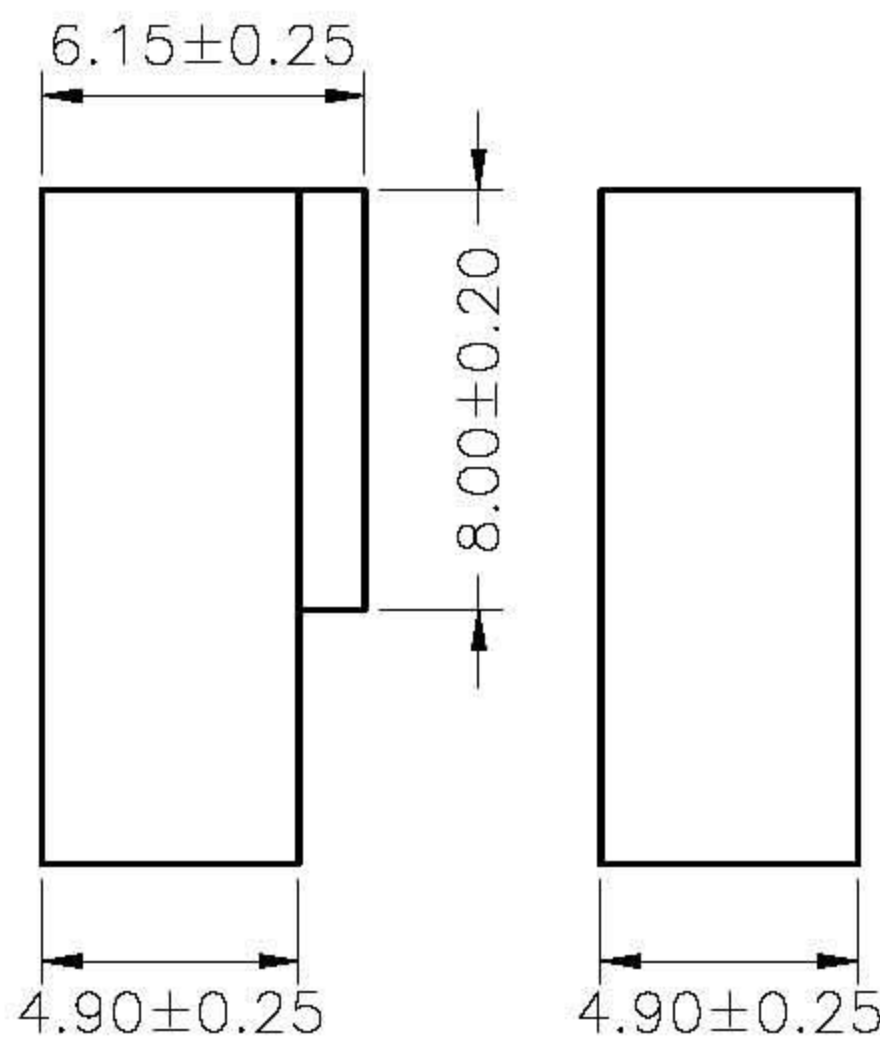
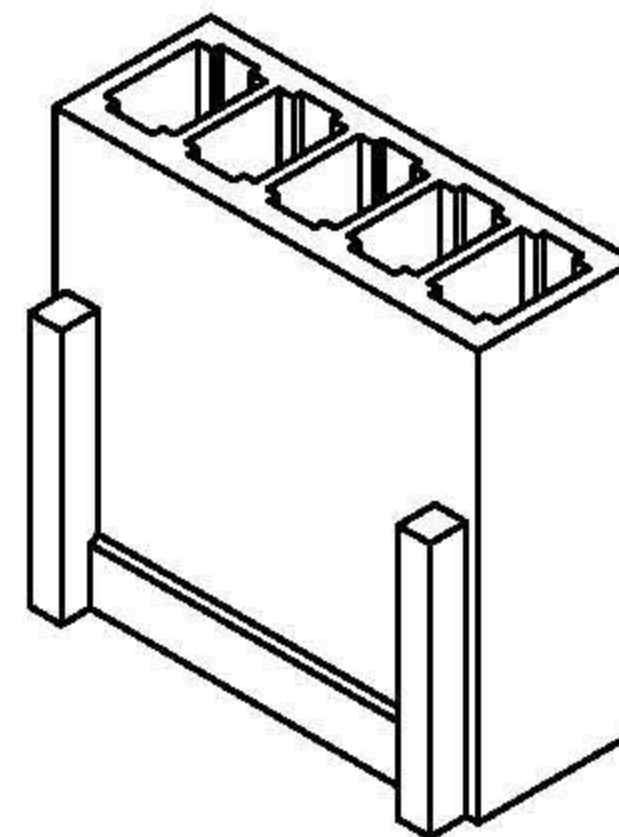
A2542H-XP-*
 1 2

1.Part No.

2.Style:

1-Type 1

2-Type 2



TYPE 1

TYPE 2

SPECIFICATIONS

Current Rating: 4A AC,DC
 Voltage Rating: 250V AC,DC
 Temperature Range: -25°C ~ +85°C
 Contact Resistance: 10mΩ Max
 Insulation Resistance: 1000MΩ Min
 Withstanding Voltage: 1000V AC/minute
 Material: Nylon 66,UL94V-2
 Pantone Color: 7506C

Ordering Information & Dimensions

PART NO.	Dimensions	
	A	B
A2542H-02P	2.54	5.68
A2542H-03P	5.08	8.22
A2542H-04P	7.62	10.76
A2542H-05P	10.16	13.30
A2542H-06P	12.70	15.84
A2542H-07P	15.24	18.38
A2542H-08P	17.78	20.92
A2542H-09P	20.32	23.46
A2542H-10P	22.86	26.00
A2542H-11P	25.40	28.54
A2542H-12P	27.94	31.08
A2542H-13P	30.48	33.62
A2542H-14P	33.02	36.16
A2542H-15P	35.56	38.70
A2542H-16P	38.10	41.24
A2542H-17P	40.64	43.78
A2542H-18P	43.18	46.32
A2542H-19P	45.72	48.86
A2542H-20P	48.26	51.40

				PENZEL COMERCIO EXTERIOR LTDA	
		UNIT	SCALE	SHEET	TITLE:
				1 of 1	2.54mm PITCH HOUSING
		DRAWN BY		APPROVED BY	
		董正一		董正一	
		2001.02.01		2001.02.01	
		GENERAL TOLERANCE			
		X, X±0.25	ANGLE±		DRAW NO.: JT-8001-XX
		X, XX±0.15	REV. B0		
BO	NEW RELEASE	2006.04.12			X, XXX±0.05
REV.	DESCRIPTION	DATE			